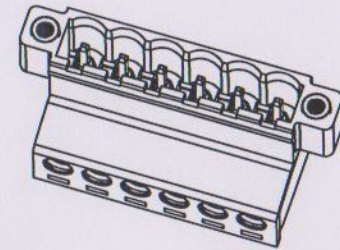
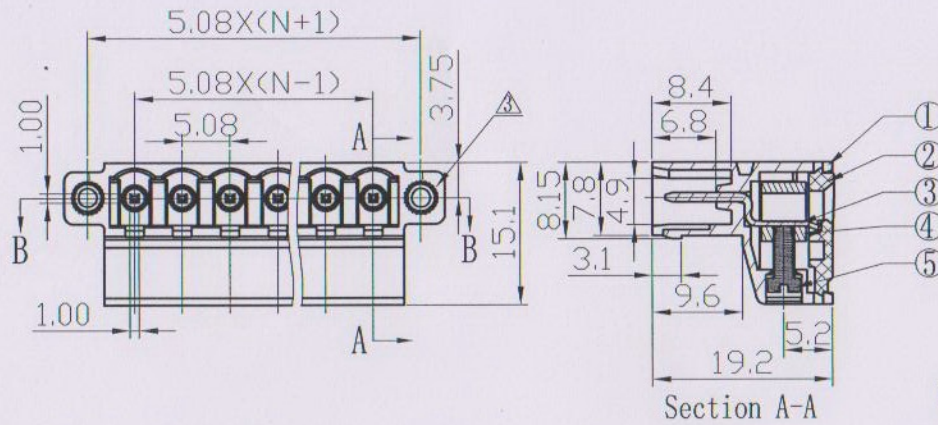
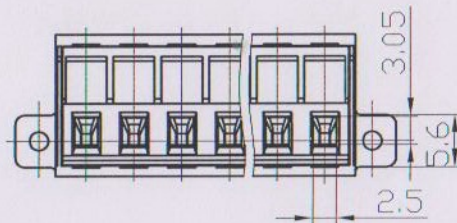
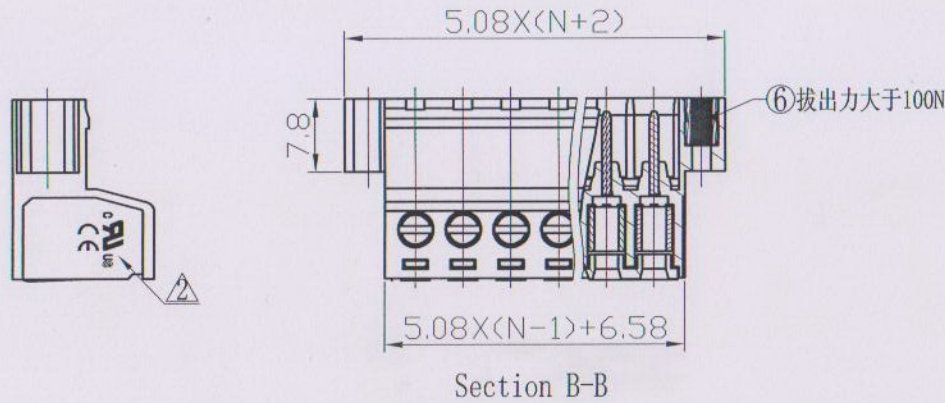


REVISION RECORD				
REV	ECO	DESCRIPTION	DRFT	DATE
△		图面整理	Apple	04/07/08
△		增加UL刻字	WLM	11/12/08
△	11-01	修改螺帽孔结构, 变更料号, 增加料号ZMT	ZMT	05/19/11



Notes:

1. Pitch: 5.08mm, Poles: 2-22P
2. Rated voltage/current: UL 300V/15A
IEC 320V/20A
3. Operation temperatures: -40°C ~ +105°C
4. Withstanding Voltage: AC2000V/1min
5. Insulation Resistance: 5000MΩ / DC1000V
6. Wire Range: 28~12AWG, 2.5mm²
7. Max. Torque Value: M2.5, 4.08Kgf.cm
8. Undimensioned Tolerances:



Pitch range in mm		Nominal dimension range in mm						
to 6	over 6 to 10	over 10 to 24	over 30 to 60	over 60 to 100	over 100 to 150	over 150	∩	
±0.10	±0.15	±0.25	±0.2	±0.3	±0.5	±0.7	±1.0	
							0.05/15	



2	2EDGK-5.08-Cover	1005C0YXXA(H)	1	PA66	UL94V-0
1	2EDGKRP-5.08-Housing	1161A0YXXC(H) △	1	PA66	UL94V-0
ITEM	NAME OF PART	NO. OF PART	Q'TY	MATERIAL	NOTES

6	2EDG Screw Cap	S000001040(H) △	2	Brass	
5	2EDG "—" Screws-M2.5	S000001370(H)	XX	Steel	Cr ³⁺ Zn
4	DG128 Brass cage	X000000020(H)	XX	Brass	Ni plated
3	2EDGKR-Pin	1159B00010(H)	XX	Copper	SnCe

DETAILED LISTS	MM (INCH)	DFTD	DATE 03/16/08*	宁波高正电子有限公司 Ningbo Degson Electrical Co., Ltd.
TOLERANCES EXCEPT AS NOTED	MM	DATE		
	.00 ±	DATE		
	.000 ±	DATE		
	ANGLES ± 1°	MATERIAL	Series 2EDGKRP-5.08	NAME
		G.E.		2EDGKRP-5.08-XXP-1Y-00A(H)
		FINISH:		DRAWING NO. 2EDGKRP-5.08-E01
		THIRD ANGLE PROJECTION	SCALE: 1:1	/PART NO.
				DO NOT SCALE DRAWING
				SHEET 2 OF 2