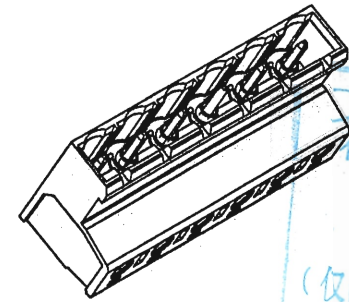
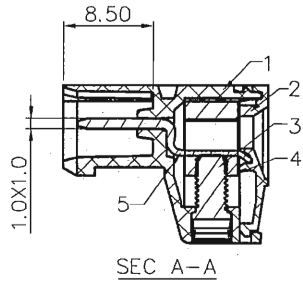
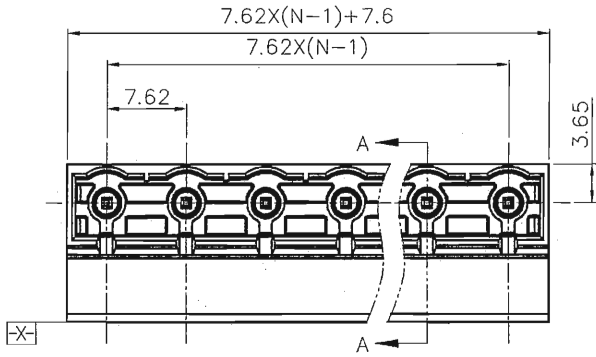


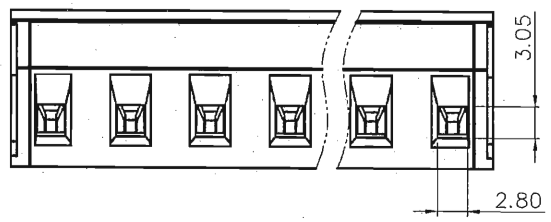
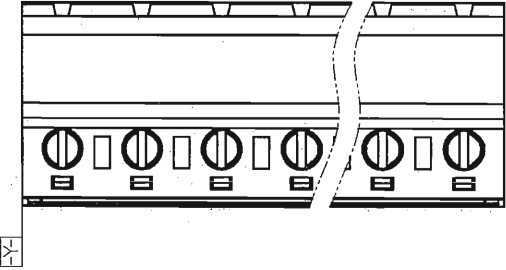
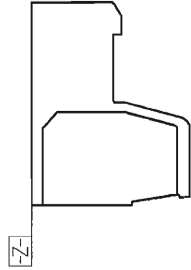
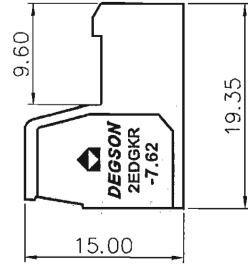
REVISION RECORD				
REV	ECN	DESCRIPTION	DRFT	DATE



文管中心
研发专用
2015.05.28
(仅限内部使用, 对外无效)

- NOTES:
- 1.DIMENSION SHALL BE INTERPRETED PER ASME Y14.5-2009.
 - 2.PITCH: 7.62MM ,POLES: 2-16P
 - 3.RATED VOLTAGE/CURRENT: UL1059 300V/15A
IEC 400V/20A
 - 4.OPERATION TEMPERATURES: -40℃~+105℃
 - 5.RATED IMPULSE VOLTAGE: 4.0KV.
 - 6.WIRE RANGE: 28~12AWG, 2.5MM²
 - 7.MAX.TORQUE VALUE: M3, 6.0kgf.cm
 - 8.UNDIMENSIONED TOLERANCES:

PITCH RANGE IN MM		NOMINAL DIMENSION RANGE IN MM				
OVER 6 TO 10	OVER 10 TO 24	TO 30	OVER 30 TO 60	OVER 60 TO 100	OVER 100 TO 150	OVER 150
±0.10	±0.15	±0.25	±0.20	±0.30	±0.50	±0.70
±1.00 0.05/10						



5	2EDGKR PIN	1159B00020(H)	XX	COPPER	Sn PLATED															
4	2EDG CAGE	X000003850(H)	XX	BRASS	Ni PLATED															
3	2EDG "-"M3 1000A SCREW	S000006350(H)	XX	STEEL	Zn PLATED															
2	2EDGK-7.62-1000AH COVER	1006CYXXD(H)	1	PA66	UL94V-0															
1	2EDGKR-7.62-00A Housing	1160AYXXA(H)	1	PA66	UL94V-0															
ITEM	NAME OF PART	NO. OF PART	Q'TY	MATERIAL	NOTES															
<table border="1"> <thead> <tr> <th colspan="2">MM (INCH)</th> <th>MATERIAL:</th> </tr> </thead> <tbody> <tr> <td colspan="2">TOLERANCES EXCEPT AS NOTED</td> <td>FINISH:</td> </tr> <tr> <td>.X ±</td> <td>.X ±</td> <td>PART NO.:</td> </tr> <tr> <td>.XX ±</td> <td>.XX ±</td> <td>NAME:</td> </tr> <tr> <td>.XXX ±</td> <td>.XXX ±</td> <td></td> </tr> </tbody> </table>		MM (INCH)		MATERIAL:	TOLERANCES EXCEPT AS NOTED		FINISH:	.X ±	.X ±	PART NO.:	.XX ±	.XX ±	NAME:	.XXX ±	.XXX ±		宁波高正电子有限公司 DEGSON ® DEGSON ELECTRONICS CO., LTD			
MM (INCH)		MATERIAL:																		
TOLERANCES EXCEPT AS NOTED		FINISH:																		
.X ±	.X ±	PART NO.:																		
.XX ±	.XX ±	NAME:																		
.XXX ±	.XXX ±																			
ANGLES ± 1° THIRD ANGLE PROJECTION		APPD: <i>Amor 5/25/15</i> CHKD: <i>zlm 5/25/15</i> DRFT: LZT 10/22/13"		TITLE: ASSEMBLY DRAWING DRAWING NO.: 2EDGKR-7.62-E01 DO NOT SCALE DRAWING																
		SCALE: 1:1	REV: TQ	SHEET: 1/1																