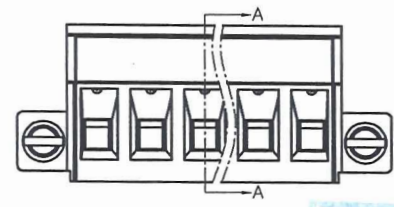
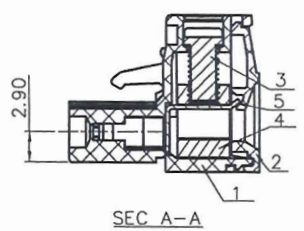
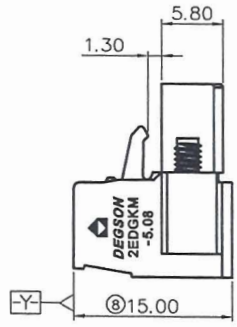
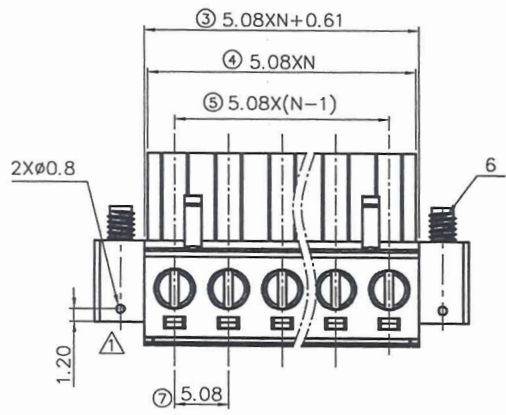
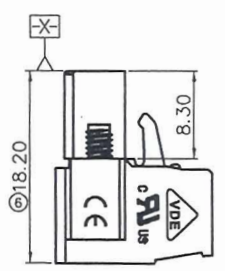
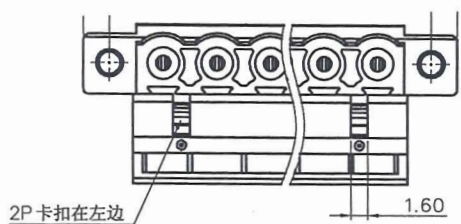


G  
F  
E  
D  
C  
B  
A

G  
F  
E  
D  
C  
B  
A



文管专用  
2016. 3. 07  
(仅限内部使用, 对外无效)

- UL 标准
1. 额定电压与电流 : 300V / 15A
  2. 工频耐压 : AC1600V/1Min.
  3. 螺丝扭力 : M3, 5.3Lb.in
  4. 线径范围 : 28~12AWG

- IEC 标准
1.

污染等级	2
过压类别	III
额定脉冲电压(KV)	4.0KV
额定电压(V)	320V
额定电流(A)	20A
  2. 螺丝扭力 : M3, 0.6N.m
  3. 线径范围 : 1.0~2.5mm<sup>2</sup>

- 备注二:
1. 尺寸标注符合标准 ASME Y14.5-2009
  2. P距 : 5.08mm, P数范围 : N=02~22P
  3. 剥线长度 : 7-8mm
  4. 使用温度范围 : -40°C~+105°C
  5. "⊗" 为重点管控尺寸
  6. 未注公差表:

P距方向公差(mm)				其他尺寸公差(mm)				-	∩	∠
≤6	6 ~ 10	10 ~ 24	≤30	30 ~ 60	60 ~ 100	100 ~ 150	>150	0.05/10		
±0.10	±0.15	±0.25	±0.20	±0.30	±0.50	±0.70	±1.00	±1'		

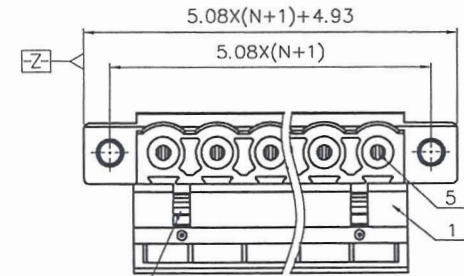
7. 须符合RoHS环保要求

6	2EDGK-"-"螺丝	S000001370(H)	2	钢	M2.5/镀锌
5	2EDGK-5.08-夹子	1005B00010(H)	N	磷青铜	镀锡
4	2EDGK-方块	X000003850(H)	N	黄铜	镀镍
3	2EDG-1000A M3 "-"螺丝	S000006350(H)	N	钢	M3/镀锌
2	2EDGK-5.08-100A 盖板	1005CYYXXG(H)	1	PA66	UL94V-0
1	2EDGKM-5.08-100A 塑件	1011AYYXD(H)	1	PA66	UL94V-0
ITEM	NAME OF PART	NO. OF PART	Q'TY	MATERIAL	NOTES

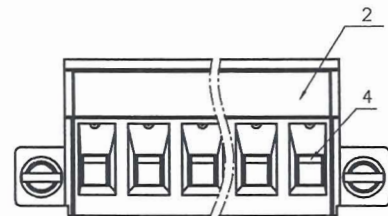
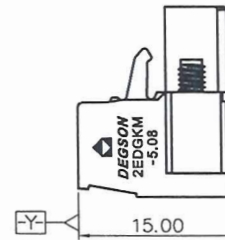
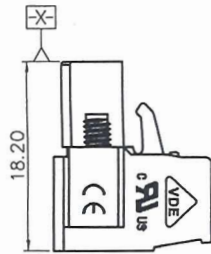
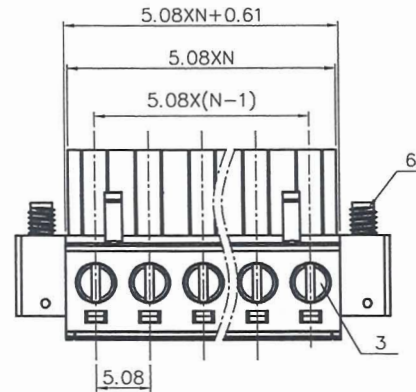
PART NO.: /		宁波高松电子有限公司 NINGBO DEGSON ELECTRICAL CO., LTD			
APPD: Aaron 1/30/16		NAME: 2EDGKM-5.08-XXP-1Y-100A(H)			
CHKD: XXY 1130-16		TITLE: ASSEMBLY DRAWING			
DRFT: LZT 07/21/12"		REV		T1	
THIRD ANGLE PROJECTION		DRAWING NO.: 2EDGKM-5.08-E35		SHEET 1/1	
		MM (INCH)		DO NOT SCALE DRAWING SCALE 1:1	

8 | 7 | 6 | 5 | 4 | 3 | 2 | 1

REVISION RECORD				
REV	ECN	DESCRIPTION	DRFT	DATE



2P:Clasp on the left



NOTES1:

UL Standard

- 1.Rated Voltage/Current : 300V / 15A
- 2.Withstanding Voltage : AC1600V/1Min.
- 3.Torque Value : M3 , 5.3Lb.in
- 4.Wire Range : 28~12AWG

IEC Standard

1. Pollution Degree	2
Overvoltage Category	III
Rate Impulse Voltage(KV)	4.0KV
Rate Voltage(V)	320V
Rate Current(A)	20A

- 2.Torque Value : M3 , 0.6N.m
- 3.Wire Range : 1.0~2.5mm<sup>2</sup>

NOTES2:

- 1.Dimension shall be interpreted per ASME Y14.5-2009
- 2.Pitch : 5.08mm, Poles : N=02~22P
- 3.Stripping length : 7-8mm
- 4.Operating temperature : -40°C~+105°C
- 5.Undimensioned Tolerances:

Pitch Range In mm		Nominal Dimension Range In mm					-	∩	∠	
TO	Over TO	Over TO	TO	Over TO	Over TO	Over TO	0.1/10			
6	10	10	30	60	100	150	<			
±0.15	±0.20	±0.30	±0.30	±0.50	±0.70	±1.00	±1.30	±2'		

6.RoHS Compliance

6	SCREW	STEEL	Zn Plated
5	CLAMP	Copper Alloy	Sn Plated
4	CAGE	Copper Alloy	Ni Plated
3	SCREW	STEEL	Zn Plated
2	COVER	PA66	UL94V-0
1	HOUSING	PA66	UL94V-0
ITEM	NAME OF PART	MATERIAL	NOTES

文管中心  
2016. 3. 07  
仅限内部使用,对外无效

PART NO.:	宁波高松电子有限公司 <b>DEGSON</b> <sup>®</sup> NINGBO DEGSON ELECTRICAL CO., LTD		
APPD:	NAME: 2EDGKM-5.08-XXP-1Y-100A(H)		
CHKD:	TITLE: CUSTOMER DRAWING		
DRFT:	REV		TO
DRAWING NO.: 2EDGKM-5.08-C35		SHEET 1/1	
THIRD ANGLE PROJECTION		SCALE 1:1	
MM (INCH)		DO NOT SCALE DRAWING	

DETACHED LISTS

H  
G  
F  
E  
D  
C  
B  
A

H  
G  
F  
E  
D  
C  
B  
A