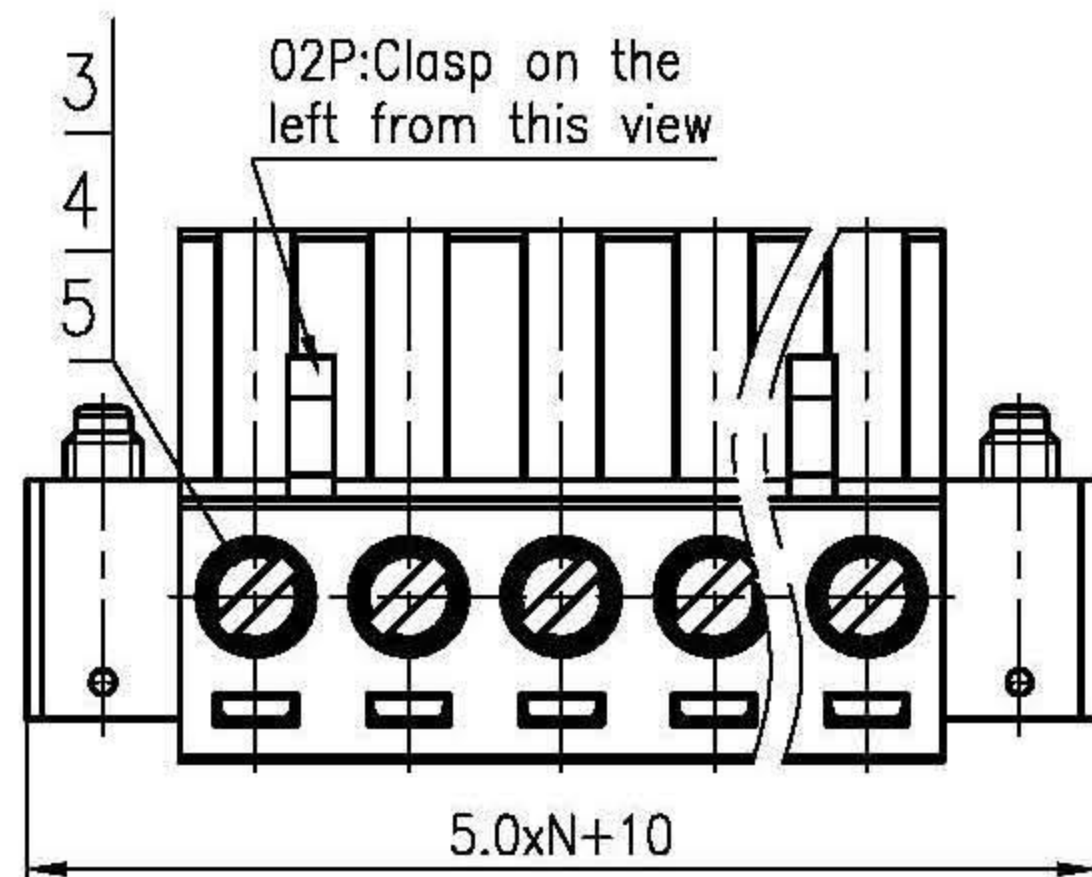


未注公差/General tolerances(mm)													0.1/10
0	>3	>6	>10	>18	>30	>50	>80	>120	>180	>250	>315	>400	
±0.12	±0.18	±0.22	±0.26	±0.31	±0.37	±0.57	±0.80	±0.93	±1.05	±1.15	±1.60	±2.20	±2.50

A



A

B

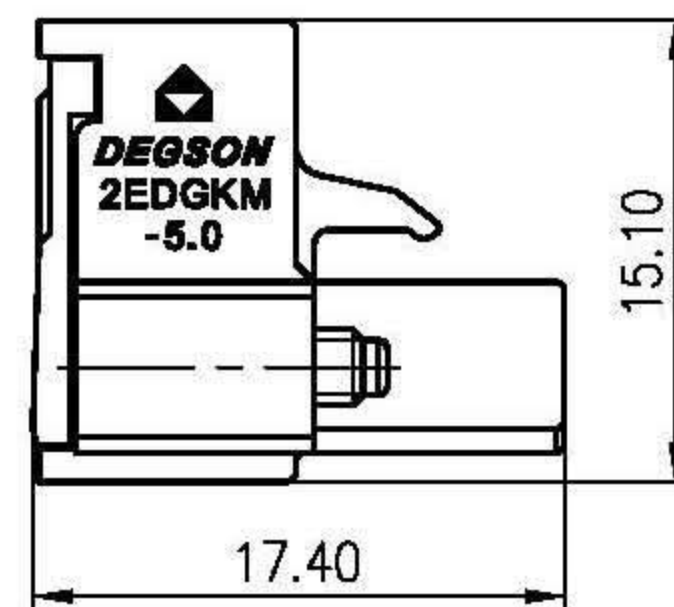
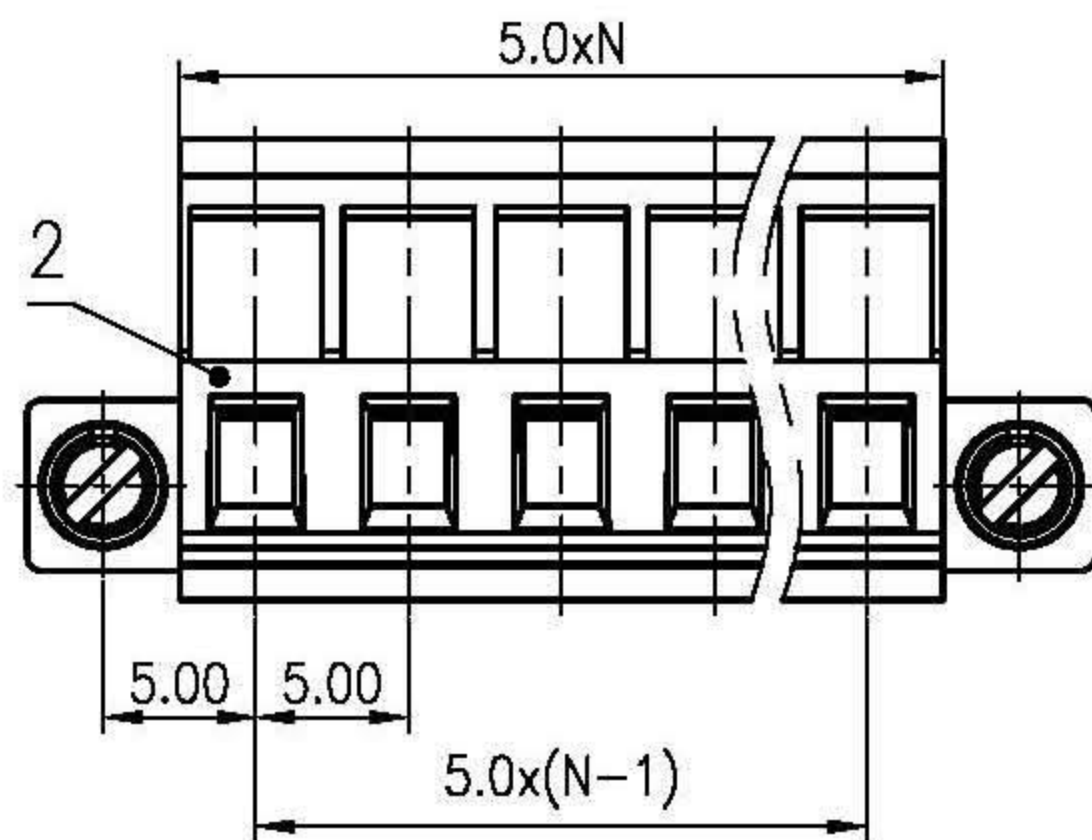
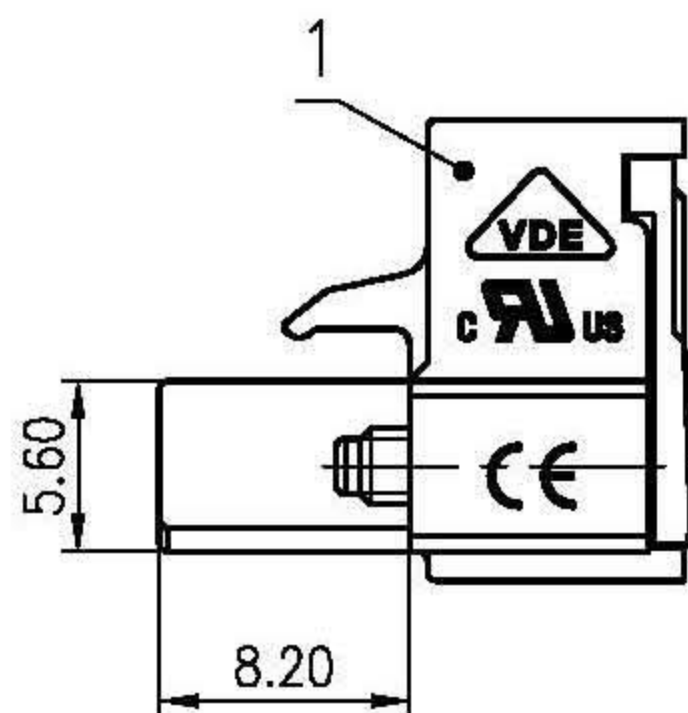
B

C

C

D

D



5	Screw	Steel	M2.5/Zn Plated
4	Cage	Copper alloy	Ni Plated
3	Clamp	Copper alloy	Sn Plated
2	Cover	PA66	UL94V-0
1	Housing	PA66	UL94V-0

ITEM	NAME OF PART	MATERIAL	NOTES
UL 标准/UL Standard:		B	C D
额定电压/电流/Rated Voltage(V)/Current(A)		300/15	/ 300/10
IEC 标准/IEC Standard:			
过压类别/Overvoltage Category/污染等级/Pollution Degree		III/3	III/2 II/2
额定电压/电流/Rated Voltage(V)/Current(A)		/	320/20 /
工频耐压/Withstanding voltage(V/1Min)		/	AC2500 /
螺丝扭矩/Torque Tightening(N·m/Lb.in)		M2.5, 0.4/3.54	
线径范围(硬线和软线)/Wire Range(rigid and flexible)(mm ² /AWG)		2.5/28~12	
间距/Pitch(mm)/线数范围/Poles		5.0/N=02~22P	
剥线长度/Stripping length(mm)		7-8	
使用温度范围/Operating temperature(°C)		-40~+105	
符合RoHS环保要求/Conform to RoHS		Yes	

MATERIAL: Series 2EDGKM-5.0		SURFACE: /	
MAT NO.: /		宁波高松电子有限公司 DEGSON® Ningbo Degson Electrical Co., Ltd.	
STATUS: /			
APPD: LanChH 2020.005.26			
CHKD: GongYzh 2020.05.26		NAME: 2EDGKM-5.0-XXP-1Y-00A(H)	
DRFT: LiY 2020.05.26		DRAWING NO.: 10002073	
REV		REV	
ECN		TO	
DESCRIPTION		TYPE: CUSTOMER DRAWING	
DRFT		SCALE: 2:1	
DATE		SHEET 1/1	
SIZE: A4			

REV	ECN	DESCRIPTION	DRFT	DATE