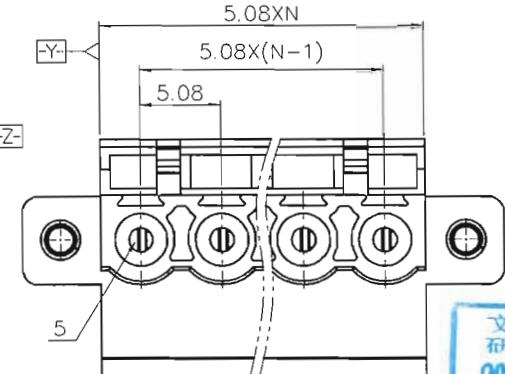
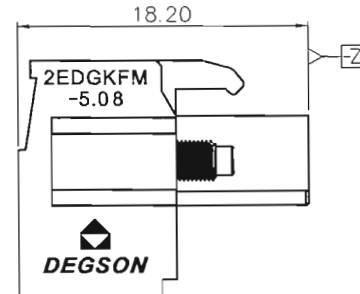
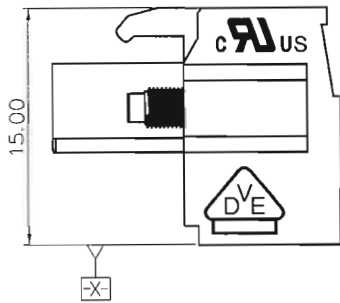
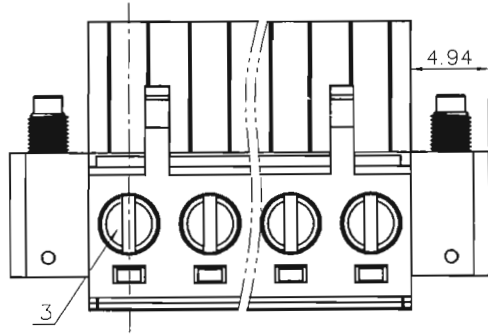
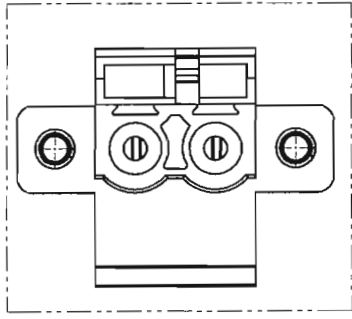


REVISION RECORD				
REV	ECN	DESCRIPTION	DRFT	DATE



文管中心
研发专用
2015.09.26
(仅限内部使用,对外无效)

NOTES1:

- UL Standard
- 1.Rated Voltage/Current : 300V / 15A
- 2.Withstanding Voltage : AC1600V/1Min.
- 3.Torque Value : M3 , 4.43Lb.in
- 4.Wire Range : 28~12AWG

IEC Standard

1. Pollution Degree	2
Overvoltage Category	III
Rate Impulse Voltage(KV)	4.0KV
Rate Voltage(V)	320V
Rate Current(A)	20A

- 2.Torque Value : M3 , 0.5N.m
- 3.Wire Range : 0.2~2.5mm²

NOTES2:

- 1.Dimension shall be interpreted per ASME Y14.5-2009
- 2.Pitch : 5.08mm, Poles : N=2~24P
- 3.Stripping length : 7-8mm
- 4.Operating temperature: -40°C~+105°C
- 5.Undimensioned Tolerances:

Pitch Range In mm		Nominal Dimension Range In mm				
TO	Over	TO	Over	TO	Over	0.1/10
6	10	6	30	60	100	<
10	24	10	30	60	100	<
±0.15±0.20±0.30		±0.30±0.50±0.70		±1.00		±2°

- 6.RoHS Compliance

ITEM	NAME OF PART	MATERIAL	NOTES
6	SCREW	STEEL	Zn plated
5	CLAMP	COPPER ALLOY	Sn plated
4	CAGE	COPPER ALLOY	Ni plated
3	SCREW	STEEL	Zn plated
2	COVER	PA66	UL94V-0
1	HOUSING	PA66	UL94V-0

PART NO.: /		宁波高松电子有限公司	
APPD: Aaron 8/2/15		DEGSON [®] NINGBO DEGSON ELECTRICAL CO., LTD	
CHKD: Amg/2/15		NAME: 2EDGKFM-5.08-XXP-1Y-1000A(H)	
DRFT: XXY 08/21/15"		TITLE: CUSTOMER DRAWING	
		REV	TO
		1/1	
DRAWING NO.: 2EDGKFM-5.08-C01		SHEET	1/1
THIRD ANGLE PROJECTION		SCALE	1:1
MM (INCH)		DO NOT SCALE DRAWING	