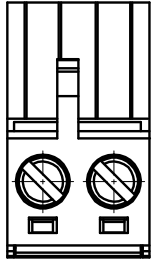


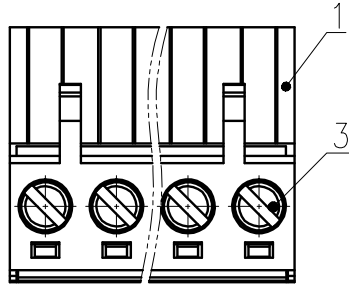
未注公差/General tolerances(mm)														
0	>3	>6	>10	>18	>30	>50	>80	>120	>180	>250	>315	>400	>500	0.1/10 ±2°
~3	~6	~10	~18	~30	~50	~80	~120	~180	~250	~315	~400	~500	~500	
±0.12	±0.18	±0.22	±0.26	±0.31	±0.37	±0.57	±0.80	±0.93	±1.05	±1.15	±1.60	±2.20	±2.50	
UL 标准/UL Standard:										B	C	D		
额定电压/电流/Rated Voltage(V)/Current(A)										300/15	/	300/10		
IEC 标准/IEC Standard:														
过压类别/Overvoltage Category/污染等级/Pollution Degree										III/3	III/2	II/2		
额定电压/电流/Rated Voltage(V)/Current(A)										/	320/20	/		
额定脉冲电压(KV)/Rate Impulse Voltage(KV)										/	4	/		
螺丝扭矩/Torque Tightening(N·m/Lb.in)										M3, 0.5/4.43				
线径范围(硬线和软线)/Wire Range(rigid and flexible)(mm ² /AWG)										0.2~2.5/28~12				
间距/Pitch(mm)/线数范围/Poles										5.08/N=02~24P				
剥线长度/Stripping length(mm)										7~8				
使用温度范围/Operating temperature(°C)										-40~+105				
符合RoHS环保要求/Conform to RoHS										Yes				

A

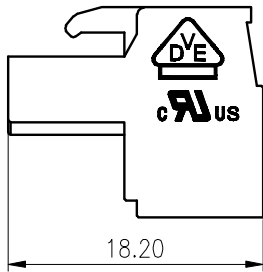
2P



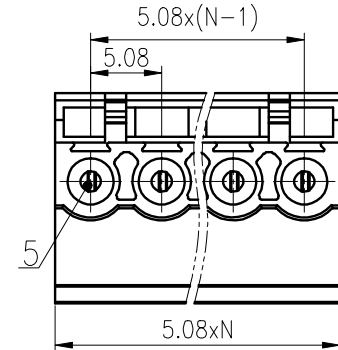
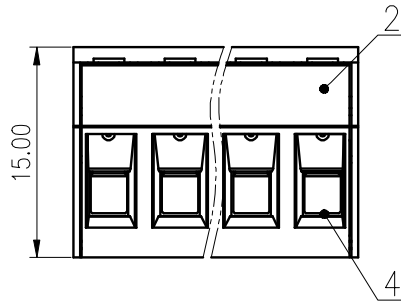
B



C



D



5	Clamp	Copper alloy	Ni Plated
4	Cage	Copper alloy	M3/Sn Plated
3	Screw	Steel	M3/Zn Plated
2	Cover	PA66	UL94V-0
1	Housing	PA66	UL94V-0
ITEM	NAME OF PART	MATERIAL	NOTES

MATERIAL:	/	SURFACE:	/
MAT NO.:	/	宁波高松电子有限公司 NINGBO DEGSON ELECTRICAL CO., LTD	
STATUS:	/		
APPD:	Lan ChH 2020.06.28	NAME: 2EDGKF-5.08-XXP-1Y-1000A(H)	
CHKD:	Yu JZh 2020.06.28	DRAWING NO.: 2EDGKF-5.08-C01	
DRFT:	XXY 2015.08.21	REV	T1
⊕	SIZE: A4	TYPE: CUSTOMER DRAWING	SCALE: 2:1 SHEET 1/1

REV	ECN	DESCRIPTION	DRFT	DATE

1

2

3

4

5

6