

D1RFRD006

7

6

5

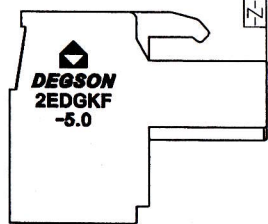
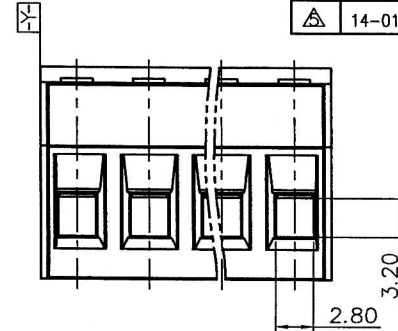
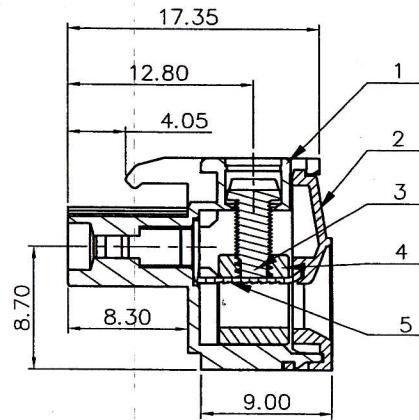
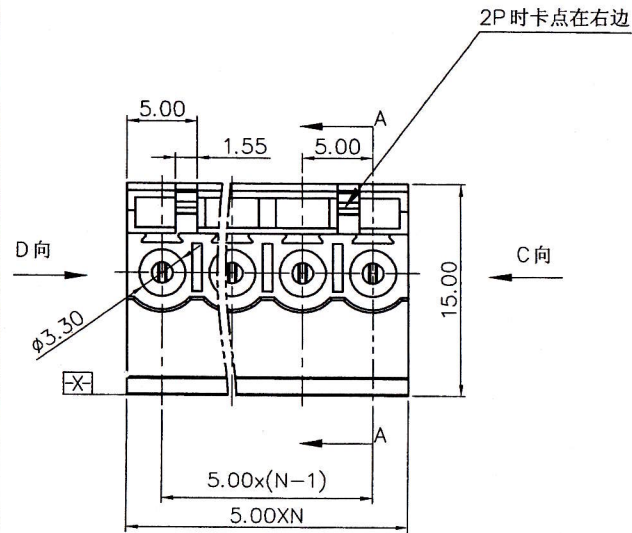
4

3

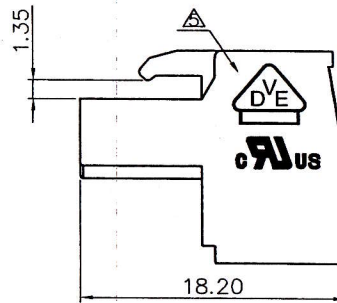
2

1

REVISION RECORD				
REV	ECN	DESCRIPTION	DRFT	DATE
△		品名、料号增加环保标示“(0)”	LJH	12/11/07
△		新开模结构全面修改	Apple	10/20/08
△	11-0190	新增19-22线规格	Fisher	07/19/11
△	13-0266	增加CE刻字	LZT	12/25/13
△	14-0135	去掉CE/UL参数, 增加VDE刻字	XXY	05/09/14



VIEW D



VIEW C

SEC A-A

NOTES:

1. DIMENSION SHALL BE INTERPRETED PER ASME Y14.5-2009.
2. PITCH: 5.0MM, POLES: 2-22P
3. RATED VOLTAGE/CURRENT: UL 300V/15A VDE 320V/20A
4. OPERATION TEMPERATURES: -40°C~+105°C
5. RATED IMPULSE VOLTAGE: 4.0KV
6. INSULATION RESISTANCE: 5000MΩ/DC1000V
7. WIRE RANGE: 28~12AWG, 2.5MM²
8. TORQUE VALUE: M2.5, 4.08KGF.CM
9. UNDIMENSIONED TOLERANCES:



PITCH RANGE IN MM		NOMINAL DIMENSION RANGE IN MM					
	OVER 6	OVER 10		OVER 30	OVER 60	OVER 100	—
TO 6	TO 10	TO 24	TO 30	TO 60	TO 100	TO 150	∩
						OVER 150	◇
±0.10	±0.15	±0.25	±0.20	±0.30	±0.50	±0.70	±1.00, 0.05/10

ITEM	NAME OF PART	NO. OF PART	Q'TY	MATERIAL	NOTES
5	2EDGKF-CLAMP	1070B00010(H)	XX	Phosphor Bronze	Sn plated
4	DG128 BRASS CAGE	X000000020(H)	XX	Brass	Ni plated
3	2EDG "—"SCREWS-M2.5	S000001370(H)	XX	Steel	Cr ³⁺ +Zn
2	2EDGKF-5.0-COVER	1070C0YXXA(H)	1	PA66	UL94V-0

ITEM	NAME OF PART	NO. OF PART	Q'TY	MATERIAL	NOTES
1	2EDGKF-5.0-HOUSING	1070A0YXXA(H)	1	PA66	UL94V-0
TOLERANCES EXCEPT AS NOTED		FINISH:		DEGSON 宁波高正电子有限公司 DEGSON ELECTRONICS CO., LTD	
.X ± .XX ± .XXX ±		.X' ± .XX' ± .XXX' ±		PART NO.:	
ANGLES ± 1'		APPD: Jean osbul		TITLE: ASSEMBLY DRAWING	
THIRD ANGLE PROJECTION		CHKD: Aaron 5/23/14		DRAWING NO.: 2EDGKF-5.0-E01	
		DRFT: LZT 2013/12/25		DO NOT SCALE DRAWING	
				SCALE	1:1
				SHEET	1/1