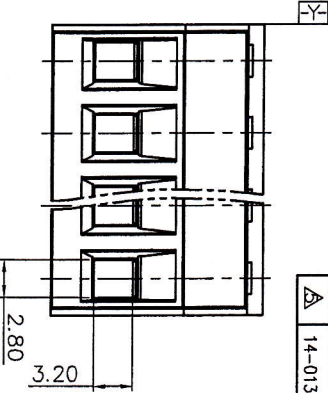
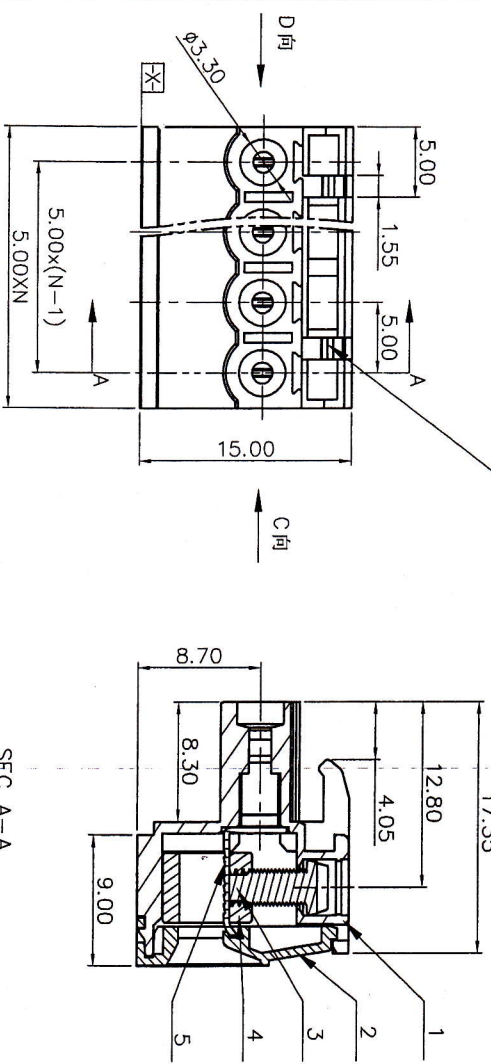
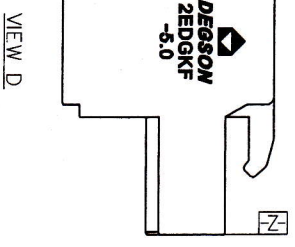
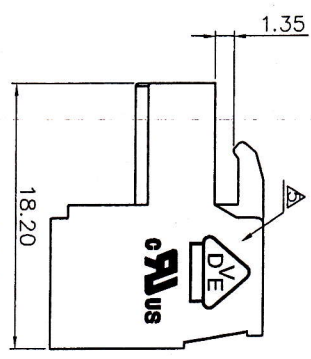


2P时卡点在右边



SEC A-A



VIEW C

VIEW D

PITCH RANGE IN MM	NOMINAL DIMENSION RANGE			
	OVER TO	OVER TO	OVER TO	OVER TO
±0.10	±0.15	±0.25	±0.30	±0.50
±0.15	±0.20	±0.30	±0.70	±1.00
±0.20	±0.30	±0.50	±0.70	±1.00
±0.30	±0.50	±0.70	±1.00	±1.00
±0.50	±0.70	±1.00	±1.00	±1.00
±1.00	±1.00	±1.00	±1.00	±1.00

- NOTES:
1. DIMENSION SHALL BE INTERPRETED PER ASME Y14.5-2009.
 2. PITCH: 5.0MM, POLES: 2-22P
 3. RATED VOLTAGE/CURRENT: UL 300V/15A, VDE 320V/20A
 4. OPERATION TEMPERATURES: -40°C~+105°C
 5. RATED IMPULSE VOLTAGE: 4.0KV
 6. INSULATION RESISTANCE: 5000MΩ/DC1000V
 7. WIRE RANGE: 28~12AWG, 2.5MM²
 8. TORQUE VALUE: M2.5: 4.08KGF·CM
 9. UNDIMENSIONED TOLERANCES:



REV	ECH	DESCRIPTION	DRET	DATE
△		品名、料号增加环保标示(0)	LJH	12/11/07
△		新开板结构全面修改	Apple	10/20/08
△	11-0190	新增19-22线规格	Fisher	07/19/11
△	13-0266	增加D刻字	LZT	12/29/13
△	14-0135	去掉D/加参数, 增加D刻字	XXY	05/09/14

ITEM	NAME OF PART	NO. OF PART	QTY	MATERIAL	NOTES
1	ZEDGKF-5.0-HOUSING	1070A0YXXA(H)	1	PAG6	UL94V-0

5	ZEDGKF-CLAMP	1070B000010(H)	XX	Phosphor Bronze	Sn plated
4	DG128 BRASS CAGE	X000000020(H)	XX	Brass	Ni plated
3	ZEDG " "SCREWS-M2.5	S0000001370(H)	XX	Steel	Cr-3+Zn
2	ZEDGKF-5.0-COVER	1070C00YXXA(H)	1	PAG6	UL94V-0

DETACHED LISTS	
ANGLES ± 1'	ANGLES ± 1'
THIRD ANGLE PROJECTION	THIRD ANGLE PROJECTION
APP: Team	CHKD: Adam
DATE: 2013/12/25	DATE: 2013/12/25
DO NOT SCALE DRAWING	DO NOT SCALE DRAWING
SCALE 1:1	SCALE 1:1
SHEET 1/1	SHEET 1/1

NAME: ZEDGKF-5.0-XXP-1Y-00A(H)

DEGSON 宁波高正电子有限公司
DEGSON ELECTRONICS CO., LTD

TITLE: ASSEMBLY DRAWING

DRAWING NO.: ZEDGKF-5.0-E01