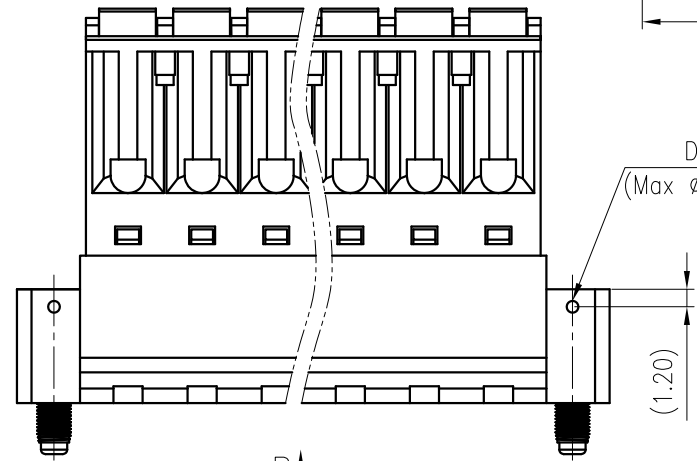
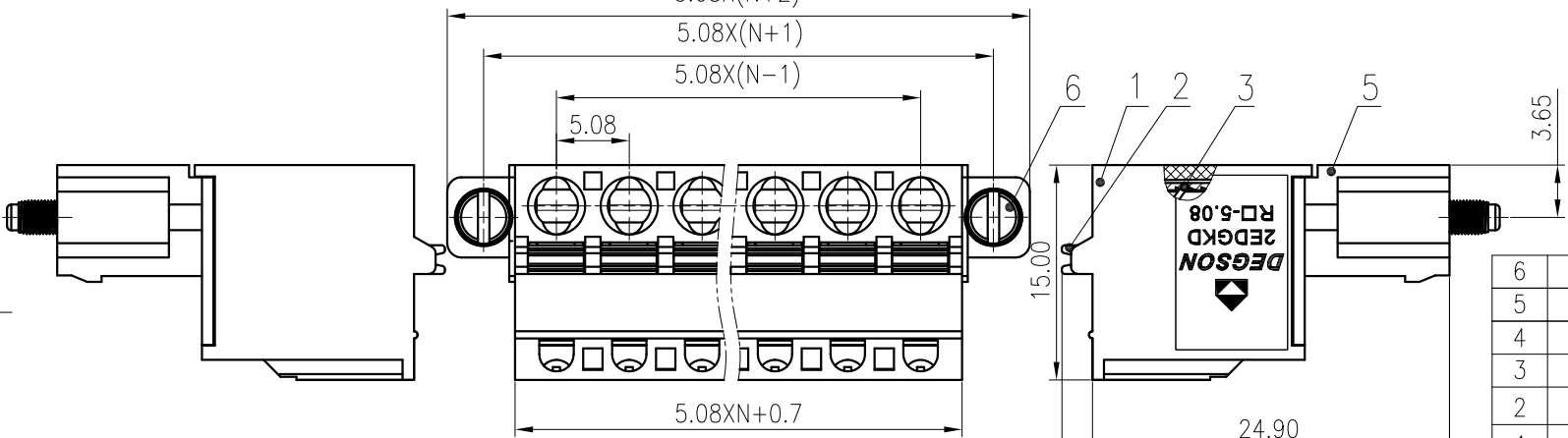
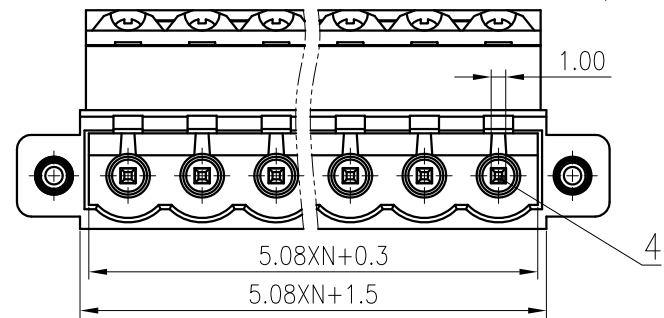


未注公差/General tolerances(mm)											0.1/10		
0	>3	>6	>10	>18	>30	>50	>80	>120	>180	>250		>315	>400
~3	~6	~10	~18	~30	~50	~80	~120	~180	~250	~315	~400	~500	~2.50
±0.12	±0.18	±0.22	±0.26	±0.31	±0.37	±0.57	±0.80	±0.93	±1.05	±1.15	±1.60	±2.20	±2.50



Drill hole  
(Max  $\phi 0.8 \times 0.5 \text{mm}$ ) \* 2

ITEM	NAME OF PART	MATERIAL	NOTES
6	Screw	Steel	Zn plated
5	Cover	PA66	UL94V-0
4	Clamp	Copper	Sn plated
3	Spring	Stainless steel	
2	Button	PA66	UL94V-0
1	Housing	PA66	UL94V-0

UL 标准/UL Standard:	B	C	D
额定电压/电流/Rated Voltage(V)/Current(A)	300/10	/	/
EC 标准/IEC Standard:			
过压类别/Overvoltage Category/污染等级/Pollution Degree	III/3	III/2	II/2
额定电压/电流/Rated Voltage(V)/Current(A)	/	250/12	/
额定冲击电压/Rated Impulse Voltage(KV)	/	4	/
线径范围(硬线和软线)/Wire Range(rigid and flexible)(mm <sup>2</sup> /AWG)	0.2~2.5/26~12		
间距/Pitch(mm)/线数范围/Poles	5.08/N=02~16P		
剥线长度/Stripping length(mm)	10		
使用温度范围/Operating temperature(°C)	-40~+105		
符合RoHS环保要求/Conform to RoHS	Yes		

MATERIAL: /	SURFACE: /		
MAT NO.: /	宁波高松电子有限公司 NINGBO DEGSON ELECTRICAL CO., LTD		
STATUS: /			
APPD: LiGL 2020.06.03	NAME: 2EDGKDRM-5.08-XXP-1Y-00A(H)		
CHKD: Mek 2020.06.03	DRAWING NO.: 2EDGKDRM-5.08-C01		
DRFT: LuoXM 2020.06.03	REV	T1	
SIZE: A4	TYPE: CUSTOMER DRAWING	SCALE: 2:1	SHEET 1/1

REV	ECN	DESCRIPTION	DRFT	DATE