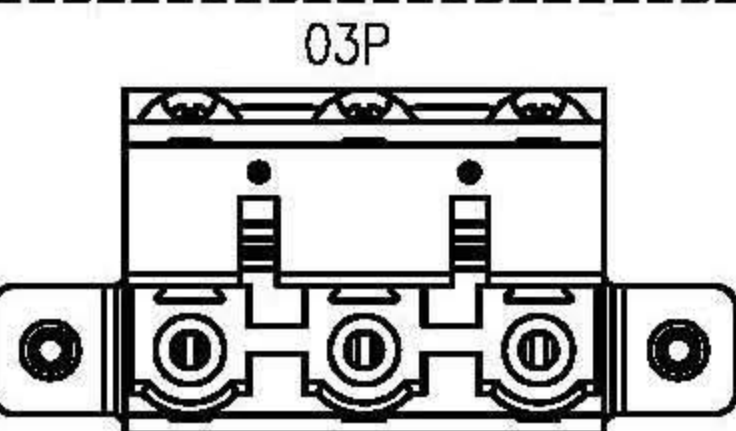
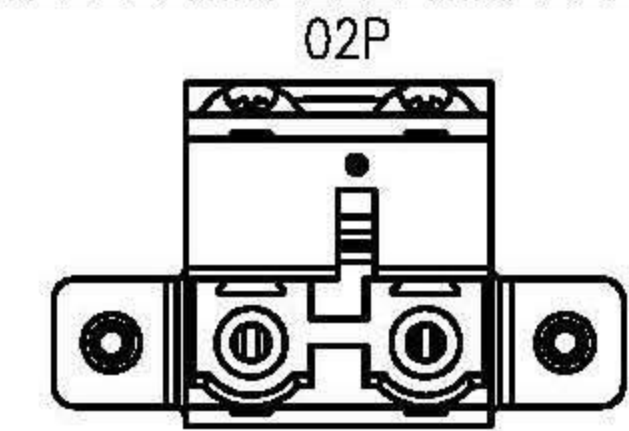
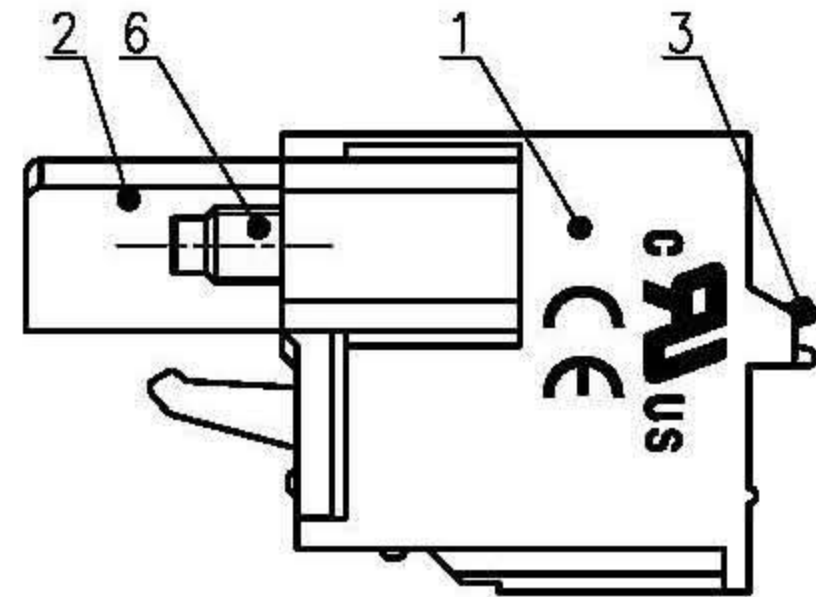
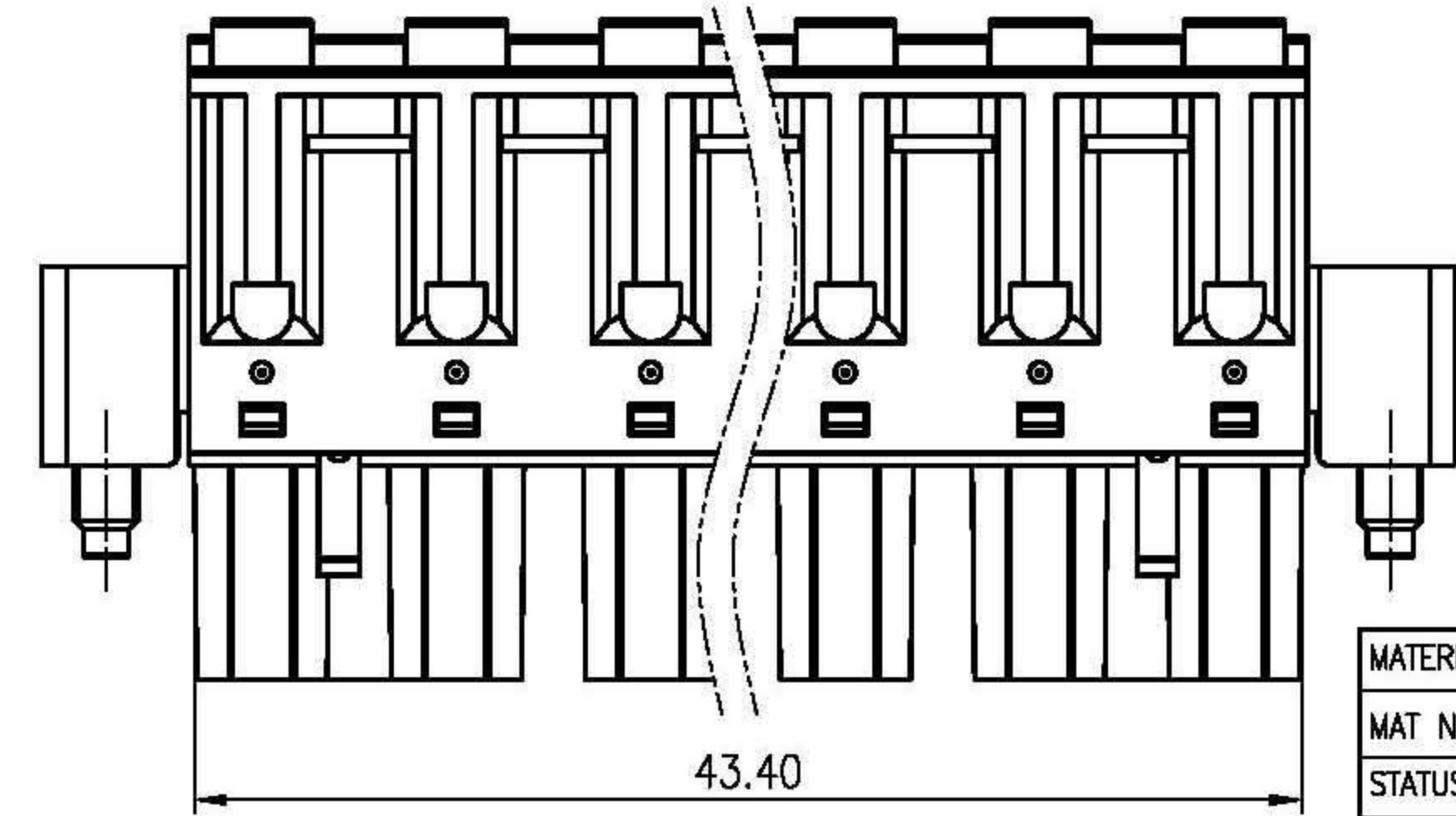
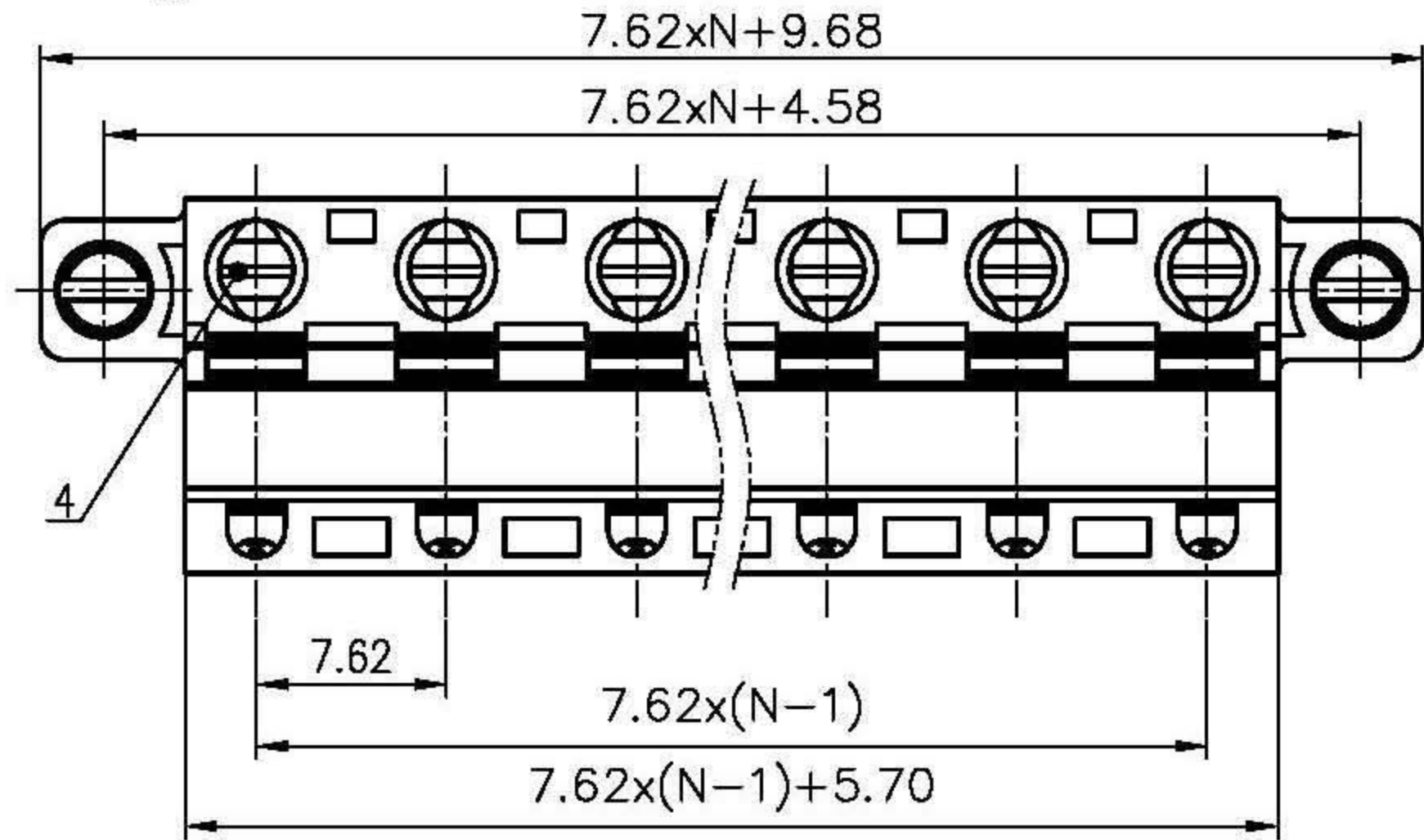
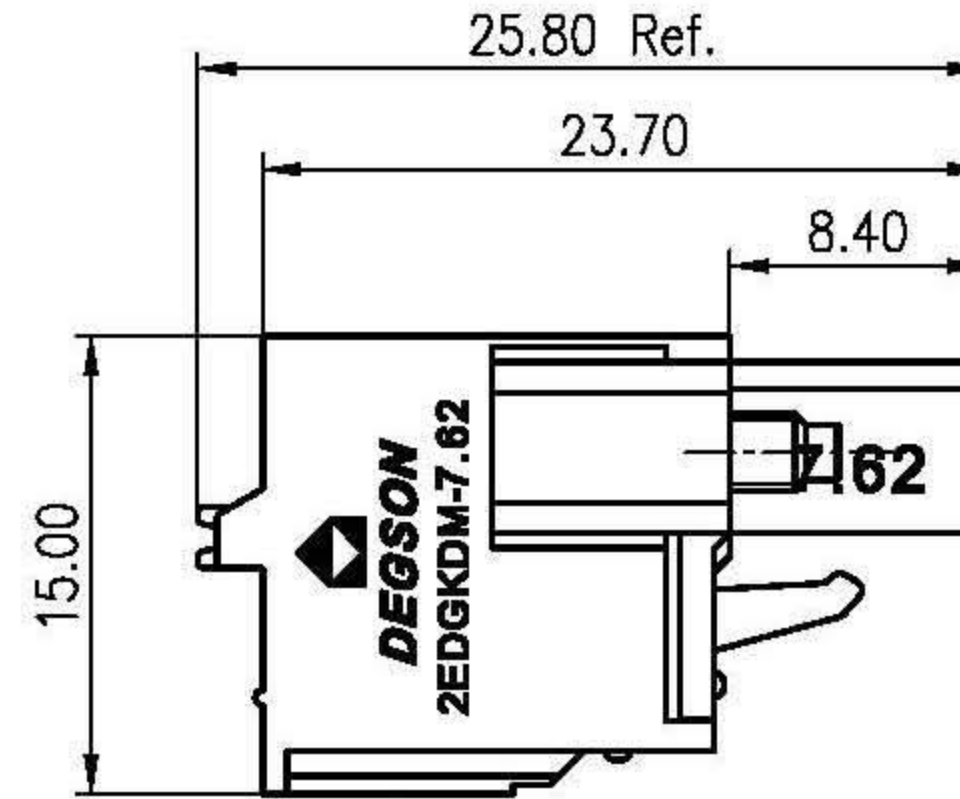
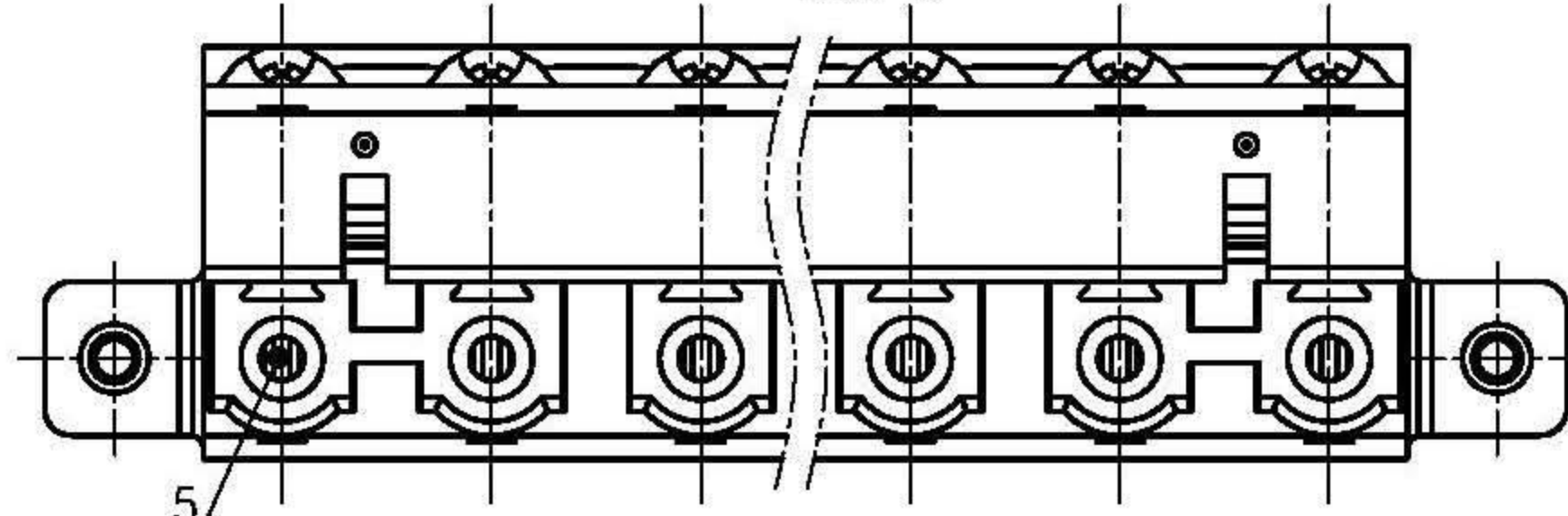


View A

未注公差/General tolerances(mm)											0.1/10		
0	>3	>6	>10	>18	>30	>50	>80	>120	>180	>250		>315	>400
±0.12	±0.18	±0.22	±0.26	±0.31	±0.37	±0.57	±0.80	±0.93	±1.05	±1.15	±1.60	±2.20	±2.50



ITEM	NAME OF PART	MATERIAL	NOTES
6	Screw	Steel	M2.5/Zn Plated
5	Spring	Stainless steel	/
4	Clamp	Copper alloy	Sn Plated
3	Button	PA66	UL94V-0
2	Cover	PA66	UL94V-0
1	Housing	PA66	UL94V-0

UL 标准/UL Standard:	B	C	D
额定电压/电流/Rated Voltage(V)/Current(A)	300/10	/	300/10
IEC 标准/IEC Standard:			
过压类别/Overvoltage Category/污染等级/Pollution Degree	III/3	III/2	II/2
额定电压/电流/Rated Voltage(V)/Current(A)	400/20	400/20	1000/20
额定脉冲电压(KV)/Rate Impulse Voltage(KV)	4	4	6
螺丝扭矩/Torque Tightening(N·m/Lb.in)	M2.5, 0.4/3.54		
线径范围(硬线和软线)/Wire Range(rigid and flexible)(mm <sup>2</sup> /AWG)	0.2~2.5/26~12		
间距/Pitch(mm)/线数范围/Poles	7.62/N=02~16P		
剥线长度/Stripping length(mm)	9~10		
使用温度范围/Operating temperature(°C)	-40~+105		
符合RoHS环保要求/Conform to RoHS	Yes		

MATERIAL: SURFACE: /

MAT NO.: Series 2EDGKDM-7.62

STATUS: /

APPD: Li GL 2020.05.23

CHKD: Ma EK 2020.05.23

DRFT: HuJ. 2019.03.09

NAME: **2EDGKDM-7.62-XXP-1Y-00A(H)**

DRAWING NO.: 2EDGKDM-7.62-C01

REV: T1

TYPE: CUSTOMER DRAWING

SCALE: 2:1

SHEET: 1/1

**DEGSON**® Ningbo Degson Electrical Co., Ltd.

REV	ECN	DESCRIPTION	DRFT	DATE

SIZE: A4

mm (inch)