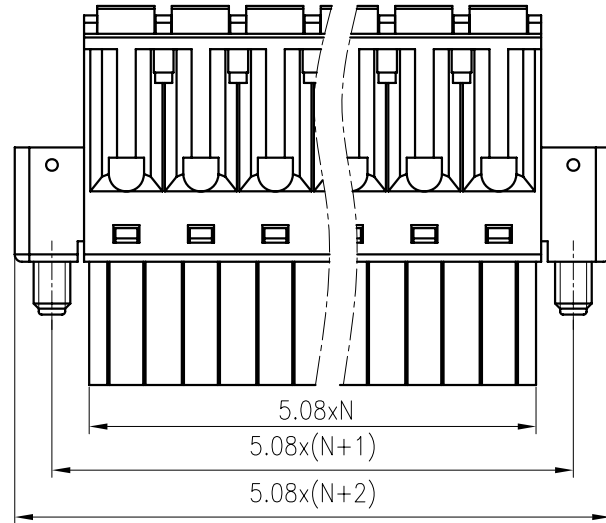
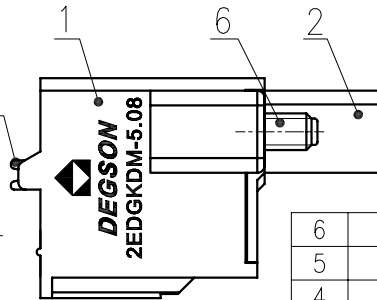
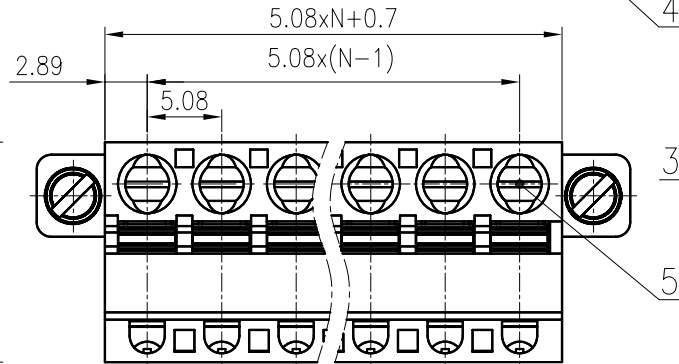
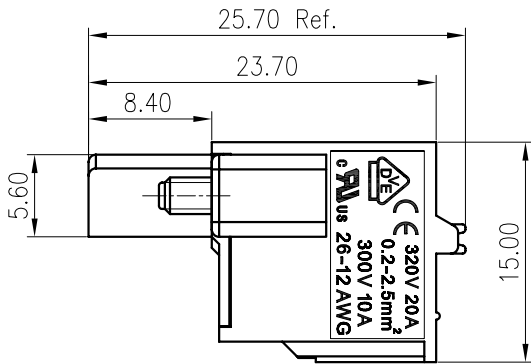
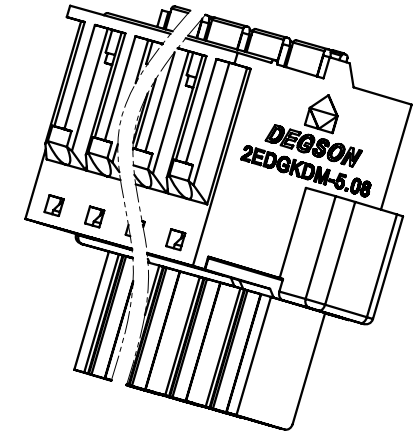


未注公差/General tolerances(mm)											0.1/10		
0	>3	>6	>10	>18	>30	>50	>80	>120	>180	>250		>315	>400
~3	~6	~10	~18	~30	~50	~80	~120	~180	~250	~315	~400	~500	~2.50
±0.12	±0.18	±0.22	±0.26	±0.31	±0.37	±0.57	±0.80	±0.93	±1.05	±1.15	±1.60	±2.20	±2.50

未标尺寸请参考3D文件



6	Screw	Steel	M2.5/Zn Plated
5	Spring	Stainless steel	
4	Clamp	Copper Alloy	Sn Plated
3	Button	PA66	UL94V-0
2	Cover	PA66	UL94V-0
1	Housing	PA66	UL94V-0

ITEM	NAME OF PART	MATERIAL	NOTES
JL 标准/UL Standard:			
额定电压/电流/Rated Voltage(V)/Current(A)		B	C D
		300/10	/ 300/10
IEC 标准/IEC Standard:			
过压类别/Overvoltage Category/污染等级/Pollution Degree			III/2
额定电压/电流/Rated Voltage(V)/Current(A)			320/20
额定脉冲电压(KV)/Rate Impulse Voltage(KV)			4
螺丝扭矩/Torque Tightening(N·m/Lb.in)			M2.5, 0.4/3.54
线径范围(硬线和软线)/Wire Range(rigid and flexible)(mm <sup>2</sup> /AWG)			0.2~2.5/26~12
间距/Pitch(mm)/线数范围/Poles			5.08/N=02~24P
剥线长度/Stripping length(mm)			9~10
使用温度范围/Operating temperature(°C)			-40~+105
符合RoHS环保要求/Conform to RoHS			Yes
标准颜色编号/Standard color number:			/
PANTONE	/	RAL	/

文管中心  
研发专用  
2020.08.29  
(仅限内部使用, 对外无效)

MATERIAL:	/	SURFACE:	/
MAT NO.:	/	宁波高松电子有限公司 NINGBO DEGSON ELECTRICAL CO., LTD	
STATUS:	/		
APPD: LiGL 2020.07.22	NAME:	2EDGKDM-5.08-XXP-1Y-27A(H)	
CHKD: Mek 2020.07.22	DRAWING NO.:	2EDGKDM-5.08-C28	REV T2
DRFT: LHM 2018.03.22	TYPE:	CUSTOMER DRAWING	SCALE: 2:1 SHEET 1/1

T2	19-0397	Drawing update	LuoXM	2020.04.30
T1	18-0351	Drawing updated	WB	2019.1.11
REV	ECN	DESCRIPTION	DRFT	DATE