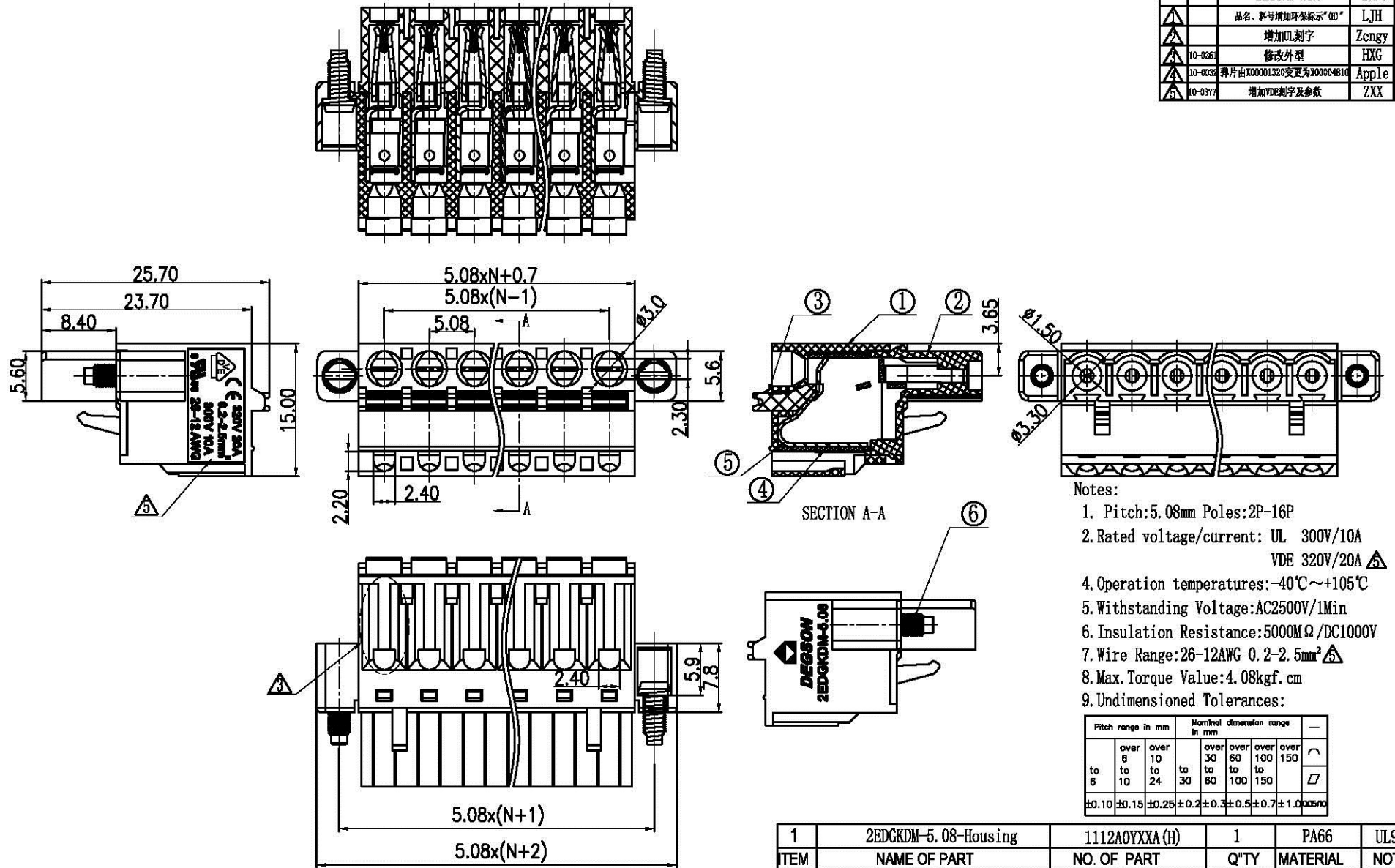


REVISION RECORD				
REV	ECN	DESCRIPTION	DRFT	DATE
△		品名、料号增加环保标示“00”	LJH	12/11/07*
△		增加凹刻字	Zengy	12/14/09*
△	10-0261	修改外型	HXG	08/16/10*
△	10-0338	弹片由X00001320变更为X00004810	Apple	09/30/10*
△	10-0377	增加VDE标示及参数	ZXX	11/12/10*



- Notes:
1. Pitch:5.08mm Poles:2P-16P
 2. Rated voltage/current: UL 300V/10A
VDE 320V/20A △
 4. Operation temperatures:-40°C~+105°C
 5. Withstanding Voltage:AC2500V/1Min
 6. Insulation Resistance:5000MΩ/DC1000V
 7. Wire Range:26-12AWG 0.2-2.5mm² △
 8. Max. Torque Value:4.08kgf.cm
 9. Undimensioned Tolerances:

Pitch range in mm		Nominal dimension range in mm				
to	over	over	over	over	over	
6	10	24	30	60	100	150
±0.10	±0.15	±0.25	±0.2	±0.3	±0.5	±0.7
						±1.0

ITEM	DESCRIPTION	ECN	QTY	MATERIAL	FINISH
6	2EDGK Screw-M2.5	S000001370 (H)	2	Steel	Cr ³⁺ Zn
5	2EDGKDF-5.08-Spring	X000004810 (H)	XX	Stainless steel	
4	2EDGKD-5.08-Clamp	1085B00010 (H)	XX	Phosphor bronze	SnCe
3	2EDGKD-5.08-Button	1085D0501A (H)	XX	PA66	UL94V-0
2	2EDGKD-5.08-Cover	1085C0YXXA (H)	1	PA66	UL94V-0

ITEM	NAME OF PART	NO. OF PART	Q'TY	MATERIAL	NOTES
1	2EDGKDM-5.08-Housing	1112A0YXXA (H)	1	PA66	UL94V-0

DFTO Apple CHKD MFO APPPL DATE	DATE 10/20/05* DATE DATE DATE	宁波高松电子有限公司 NINGBO DEGSON ELECTRICAL CO., LTD
TOLERANCES EXCEPT AS NOTED .0 ± .00 ± .000 ±		NAME 2EDGKDM-5.08-XXP-1Y-00A(H)
ANGLES ± 1° THIRD ANGLE PROJECTION		DRAWING NO. 2EDGKDM-5.08-E01 /PART NO. SIZE A3 REV T5 11/12/10*
SCALE : 1:1		DO NOT SCALE DRAWING SHEET 1 OF 1