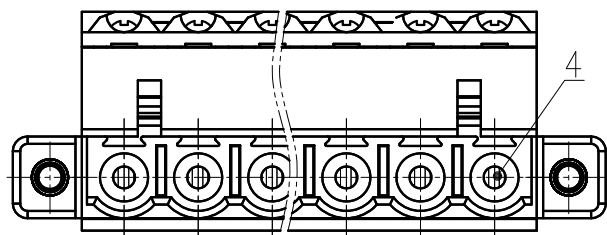


View A



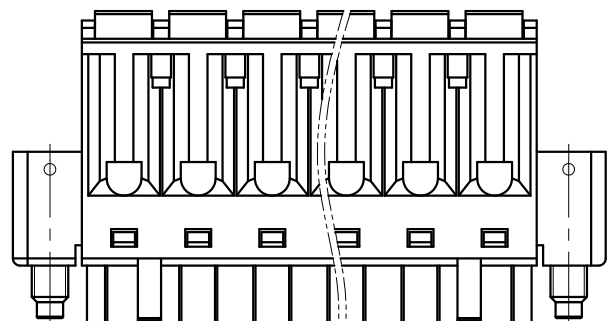
5.08x(N+2)

5.08x(N+1)

5.08

5.08x(N-1)

5.08xN+0.7

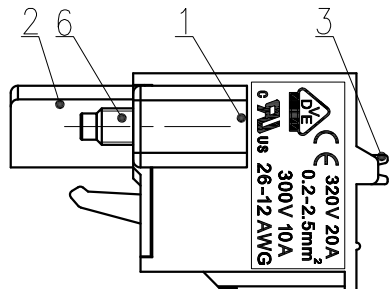
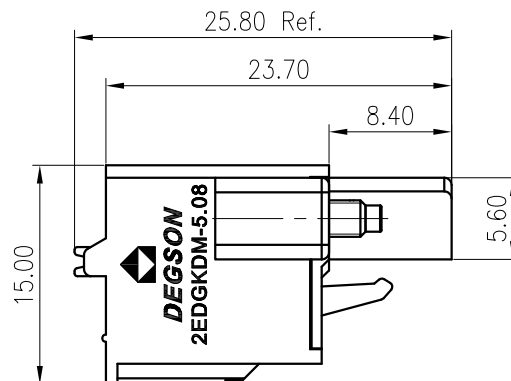


5.08xN



未注公差/General tolerances(mm)

0	>3	>6	>10	>18	>30	>50	>80	>120	>180	>250	>315	>400	>500	0.1/10 ±2'
~3	~6	~10	~18	~30	~50	~80	~120	~180	~250	~315	~400	~500		
±0.12	±0.18	±0.22	±0.26	±0.31	±0.37	±0.57	±0.80	±0.93	±1.05	±1.15	±1.60	±2.20	±2.50	



6	Screw	Steel	M2.5/Zn Plated
5	Spring	Stainless steel	/
4	Clamp	Copper alloy	Sn Plated
3	Button	PA66	UL94V-0
2	Cover	PA66	UL94V-0
1	Housing	PA66	UL94V-0

ITEM	NAME OF PART	MATERIAL	NOTES
------	--------------	----------	-------

JL 标准/UL Standard:	B	C	D
额定电压/电流/Rated Voltage(V)/Current(A)	300/10	/	300/10

EC 标准/IEC Standard:	III/3	III/2	II/2
过压类别/Overvoltage Category/污染等级/Pollution Degree	/	320/20	/
额定电压/电流/Rated Voltage(V)/Current(A)	/	4	/
额定脉冲电压(KV)/Rate Impulse Voltage(KV)	M2.5, 0.4/3.54		
螺丝扭矩/Torque Tightening(N·m/Lb.in)	0.2~2.5/26~12		
线径范围(硬线和软线)/Wire Range(rigid and flexible)(mm <sup>2</sup> /AWG)	5.08/N=02~24P		
间距/Pitch(mm)/线数范围/Poles	9-10		
剥线长度/Stripping length(mm)	-40~+105		
使用温度范围/Operating temperature(°C)	Yes		
符合RoHS环保要求/Conform to RoHS			

MATERIAL:	SURFACE: /
-----------	------------

MAT NO.: /	宁波高松电子有限公司 NINGBO DEGSON ELECTRICAL CO., LTD	
STATUS: /		
APPD: Li GL 2020.05.26		NAME: 2EDGKDM-5.08-XXP-1Y-00A(H)
CHKD: Ma EK 2020.05.26		DRAWING NO.: 2EDGKDM-5.08-C01
DRFT: HuJ. 2019.03.09		REV T1
TYPE: CUSTOMER DRAWING	SCALE: 2:1	
SIZE: A4	SHEET 1/1	

REV	ECN	DESCRIPTION	DRFT	DATE
-----	-----	-------------	------	------

