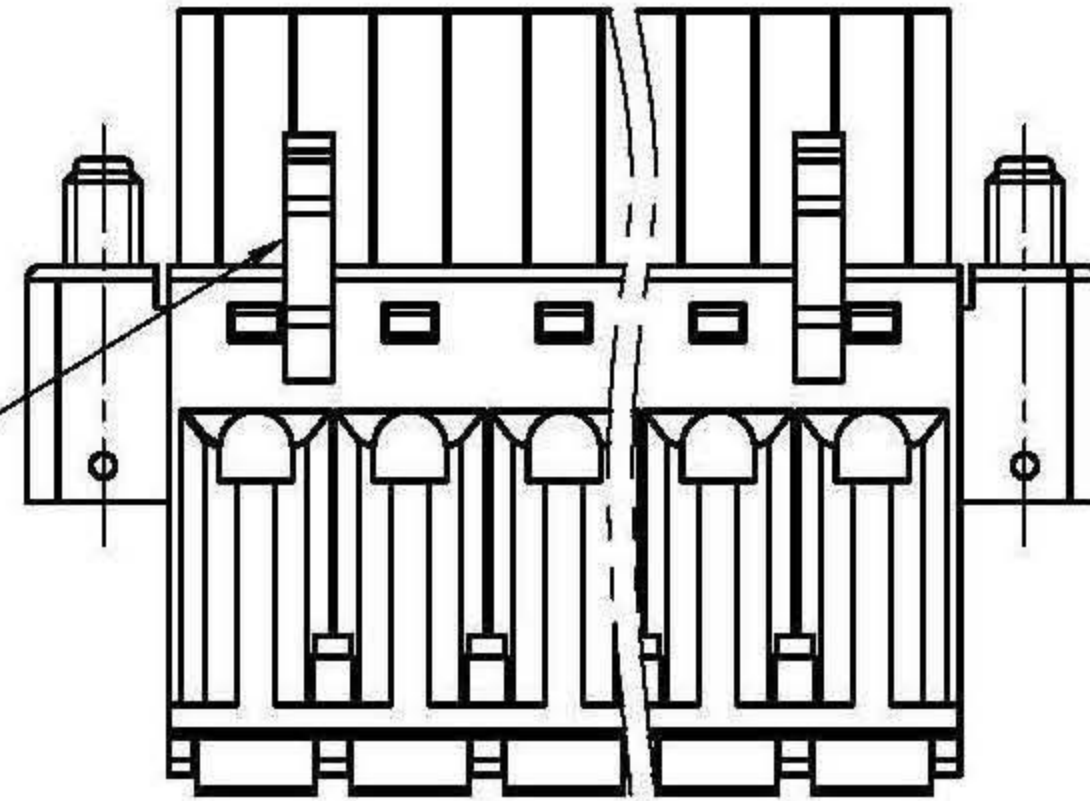
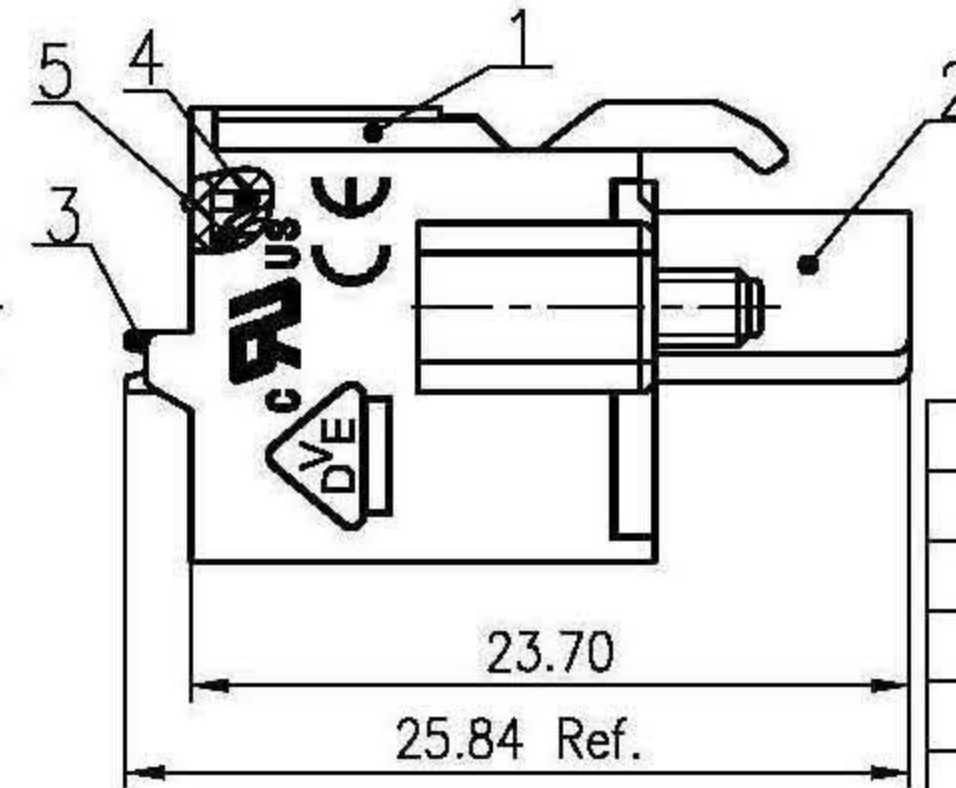
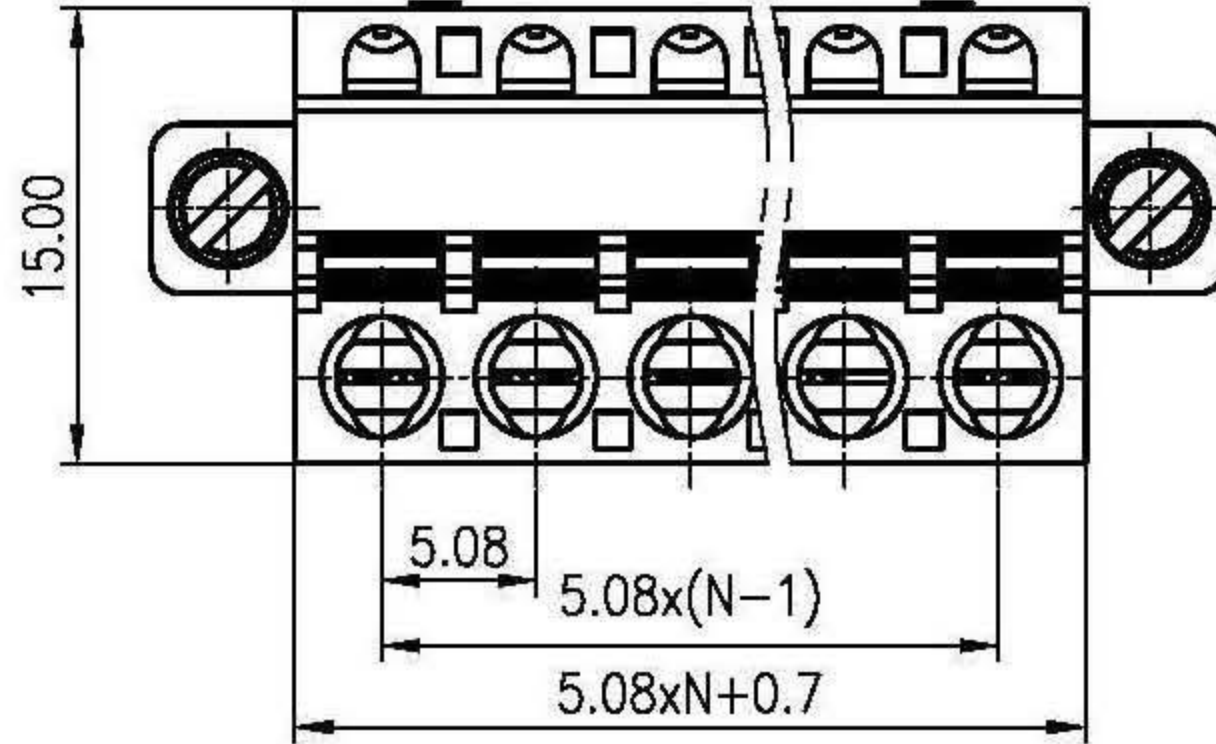
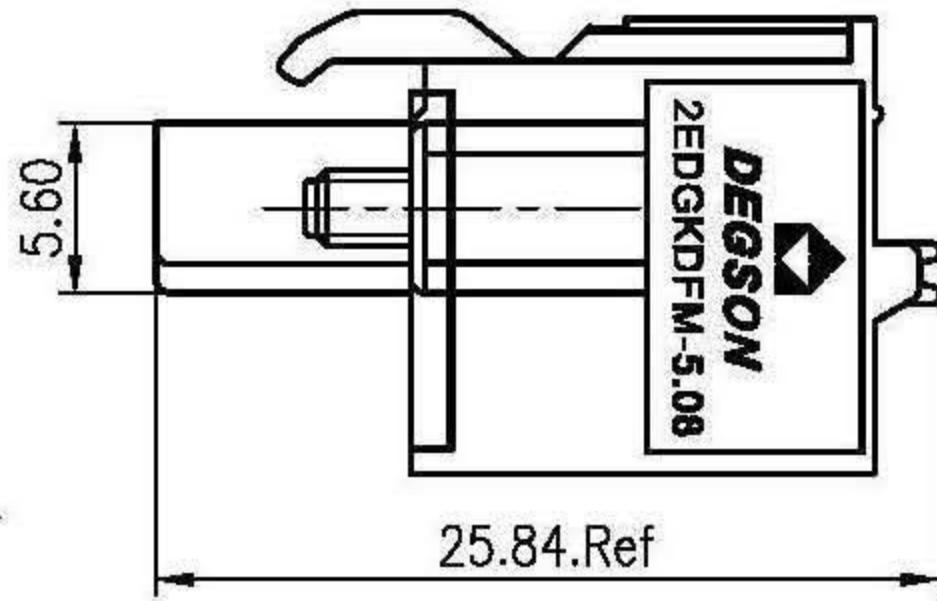


A

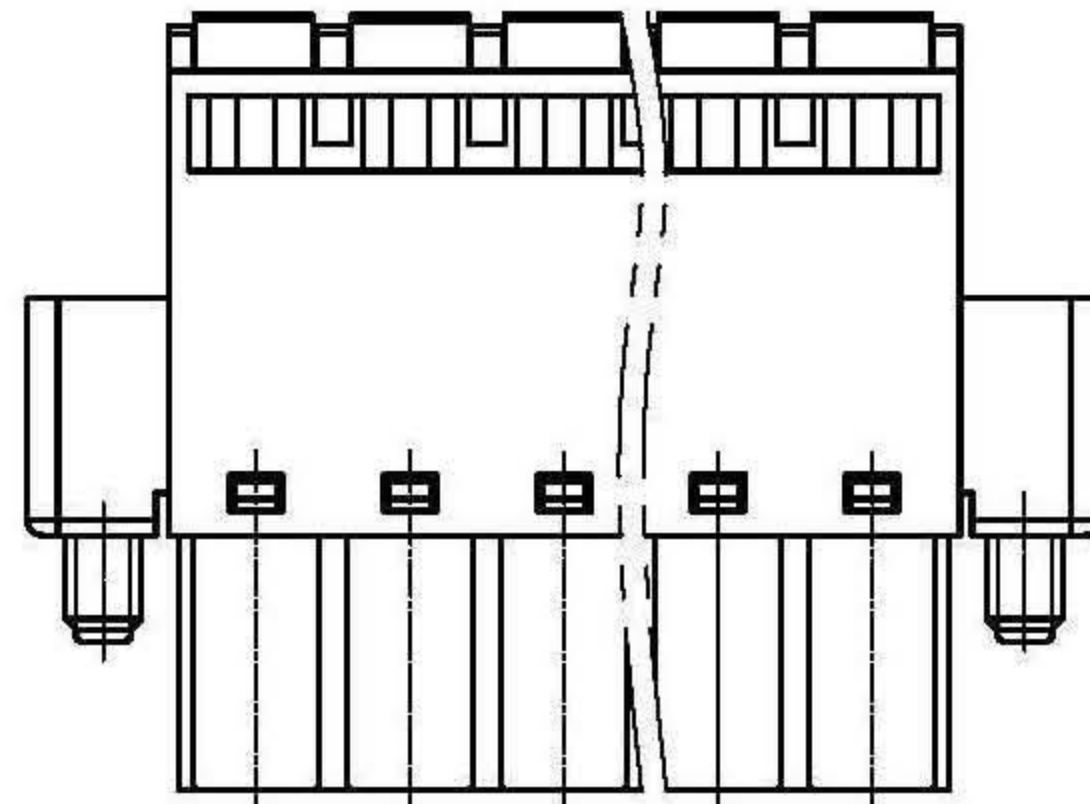
02P:Clasp on the left from this view



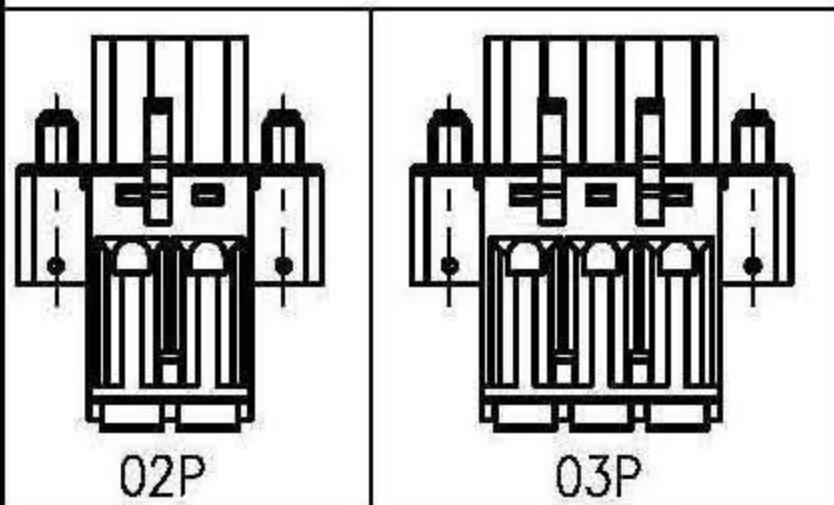
B



C



D



6	Screw	Steel	Zn Plated
5	Spring	Stainless steel	
4	Clamp	Copper Alloy	Sn Plated
3	Button	PA66	UL94V-0
2	Cover	PA66	UL94V-0
1	Housing	PA66	UL94V-0

ITEM	NAME OF PART	MATERIAL	NOTES
UL 标准/UL Standard:		B	C D
额定电压/电流/Rated Voltage(V)/Current(A)		300/10	/ 300/10
IEC 标准/IEC Standard:			
过压类别/Overvoltage Category/污染等级/Pollution Degree		III/2	
额定电压/电流/Rated Voltage(V)/Current(A)		320/20	
额定脉冲电压(KV)/Rate Impulse Voltage(KV)		4.0	
线径范围(硬线和软线)/Wire Range(rigid and flexible)(mm ² /AWG)		0.2~2.5/26~12	
间距/Pitch(mm)/线数范围/Poles		5.08/02~24P	
剥线长度/Stripping length(mm)		9-10	
使用温度范围/Operating temperature(°C)		-40~+105	
符合RoHS环保要求/Conform to RoHS		Yes	
标准颜色编号/Standard color number:		PANTONE / RAL	

MATERIAL: /	SURFACE: /		
MAT NO.: Series 2EDGKDFM-5.08	宁波高松电子有限公司 DEGSON® Ningbo Degson Electrical Co., Ltd.		
STATUS: /	NAME: 2EDGKDFM-5.08-XXP-1Y-00A(H)		
APPD: LiGL 2020.06.13	DRAWING NO.: 2EDGKDFM-5.08-C01		REV T1
CHKD: MaEK 2020.06.13	TYPE: CUSTOMER DRAWING		SCALE: 2:1 SHEET 1/1
DRFT: HXG 2009.02.16	SIZE: A4	mm (inch)	

REV	ECN	DESCRIPTION	DRFT	DATE