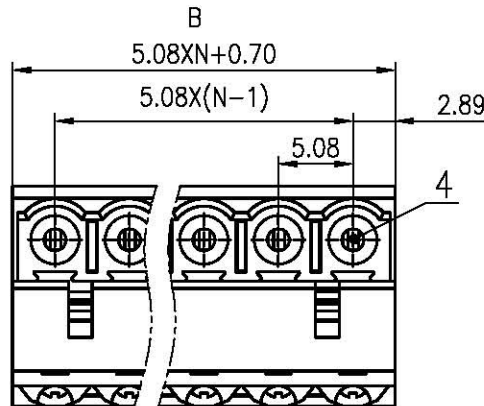
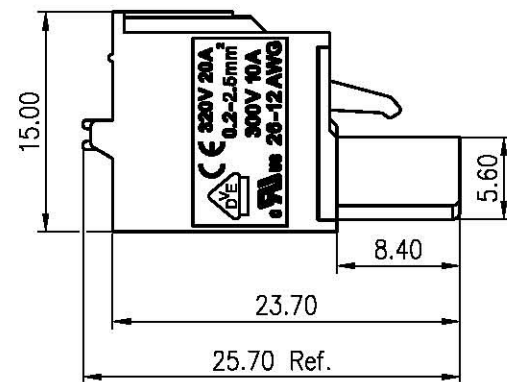
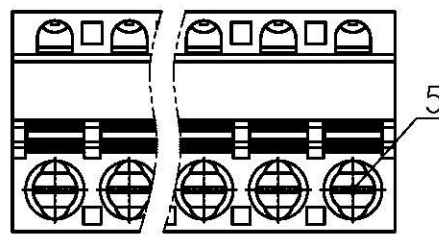
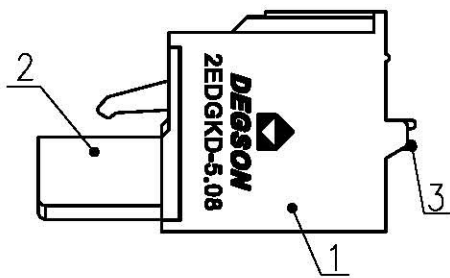
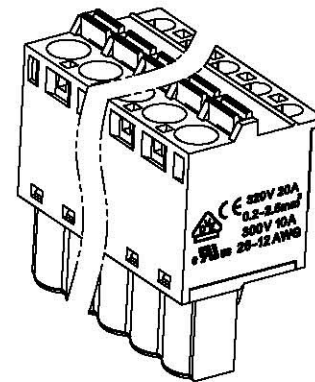


未注公差/General tolerances(mm)											0.1/10		
0	>3	>6	>10	>18	>30	>50	>80	>120	>180	>250		>315	>400
±0.12	±0.18	±0.22	±0.26	±0.31	±0.37	±0.57	±0.80	±0.93	±1.05	±1.15	±1.60	±2.20	±2.50

文管中心
研发专用
2020.07.22
(仅限内部使用, 对外无效)

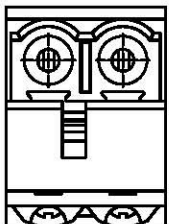


未标尺寸请参考3D文件

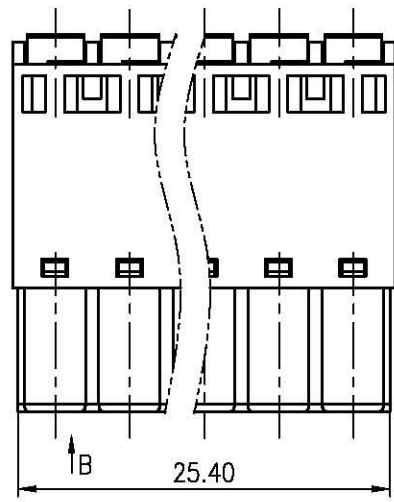


5	Spring	Stainless steel	
4	Clamp	Copper Alloy	Sn Plated
3	Button	PA66	UL94V-0
2	Cover	PA66	UL94V-0
1	Housing	PA66	UL94V-0

ITEM	NAME OF PART	MATERIAL	NOTES
JL 标准/UL Standard:			
额定电压/电流/Rated Voltage(V)/Current(A)		B	C
300/10			300/10
IEC 标准/IEC Standard:			
过压类别/Overvoltage Category/污染等级/Pollution Degree			III/2
额定电压/电流/Rated Voltage(V)/Current(A)			320/20
额定脉冲电压(KV)/Rate Impulse Voltage(KV)			4.0
线径范围(硬线和软线)/Wire Range(rigid and flexible)(mm ² /AWG)			0.2~2.5/26~12
间距/Pitch(mm)/线数范围/Poles			5.08/02~24P
剥线长度/Stripping length(mm)			9~10
使用温度范围/Operating temperature(°C)			-40~+105
符合RoHS环保要求/Conform to RoHS			Yes
标准颜色编号/Standard color number:			/
PANTONE / RAL			/



02P



MATERIAL:	/	SURFACE:	/
MAT NO.:	Series 2EDGKD-5.08	宁波高松电子有限公司 Ningbo Degson Electrical Co., Ltd.	
STATUS:	/	NAME: 2EDGKD-5.08-XXP-1Y-00A(H)	
APPD:	Li GL 2020.07.21	DRAWING NO.: 2EDGKD-5.08-C01	
CHKD:	Mao J 2020.07.20	REV	T1
DRFT:	ZDF 2018.02.27	TYPE: CUSTOMER DRAWING	
REV	ECN	DESCRIPTION	DRFT
19-0397		Drawing update	ZhengQG 2020.04.03
SIZE:	A4	SCALE:	2:1
SHEET		1/1	

REV	ECN	DESCRIPTION	DRFT	DATE
19-0397		Drawing update	ZhengQG	2020.04.03