

REVISION RECORD				
REV	ECN	DESCRIPTION	DRFT	DATE

NOTES1:

UL Standard

1. Rated voltage/current : 300V / 15A
2. Withstanding voltage : AC1600V/1Min.
3. Torque value : M3 , 4.43Lb.in
4. Wire range : 28~12AWG

IEC Standard

1. Pollution Degree	2
Overvoltage Category	III
Rate Impulse Voltage(KV)	4.0KV
Rate Voltage(V)	320V
Rate Current(A)	18A

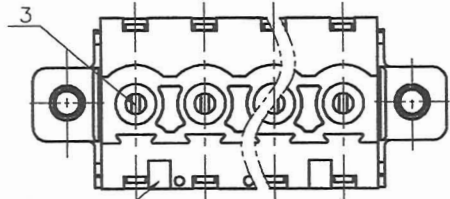
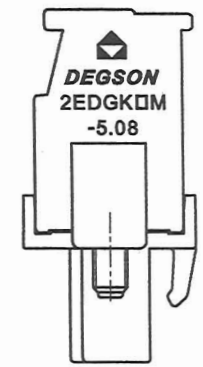
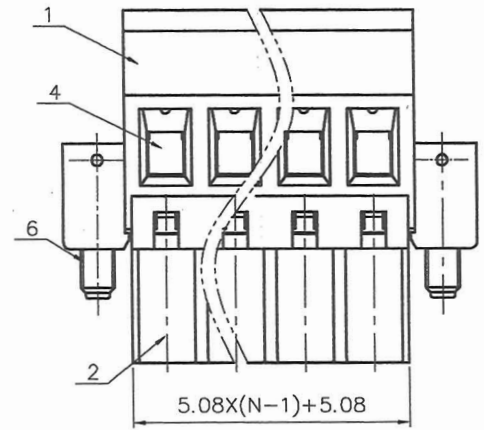
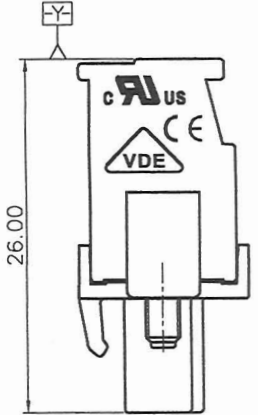
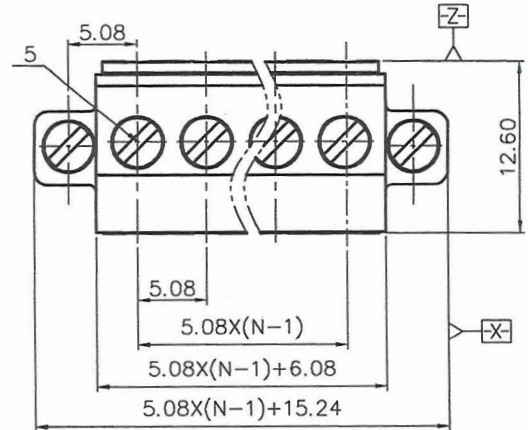
2. Torque value : M3 , 0.5N·m
3. Wire range : 1.0~2.5mm²

NOTES2:

1. Dimension shall be interpreted per ASME Y14.5-2009
2. Pitch : 5.08mm, Poles : N=02~22P
3. Stripping length : 7~8mm
4. Operating temperature: -40°C~+105°C
5. Undimensioned tolerances:

Pitch range in mm	Nominal dimension range in mm				- / 0 / +
	Over 6 TO 10	Over 10 TO 24	Over 30 TO 60	Over 60 TO 150	
TO 6	±0.15	±0.20	±0.30	±0.30	±0.70
	±0.20	±0.30	±0.50	±0.70	±1.00
					±1.30
					±2

6. RoHS Compliance



02P: Clasp on the left from this view

2EDGKBM-5.08-XXP-1Y-1000AH
2EDGKBM-5.08 - series
XXP - number of Pins (02P, 03P ... 24P)
1 - single-row
Y - color of hosing (4 - green color)
1000AH - no value

ITEM	NAME OF PART	MATERIAL	NOTES
6	Screw 2	Steel	Zn Plated
5	Screw 1	Steel	Zn Plated
4	Cage	Copper alloy	Ni Plated
3	Clamp	Copper alloy	Sn Plated
2	Cover	PA66	UL94V-0
1	Housing	PA66	UL94V-0

PART NO.: /		宁波高松电子有限公司 NINGBO DEGSON ELECTRICAL CO., LTD	
APPD: Aaron Pbl	NAME: 2EDGKBM-5.08-XXP-1Y-1000A(H)	TITLE: CUSTOMER DRAWING	
CHKD: Amah/16	DRFT: ZX 09/14/16"	REV	TO
THIRD ANGLE PROJECTION		DRAWING NO.: 2EDGKBM-5.08-C05	SHEET 1/1
		DO NOT SCALE DRAWING	SCALE 1:1