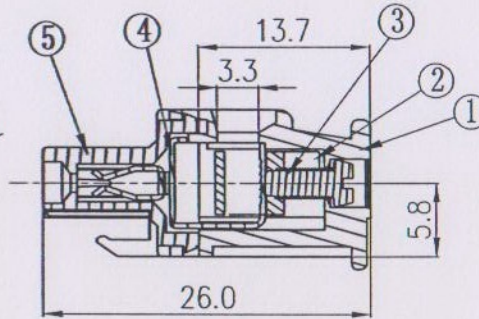
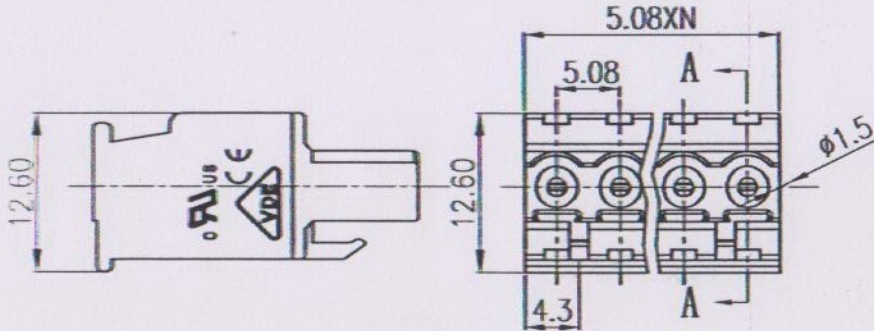
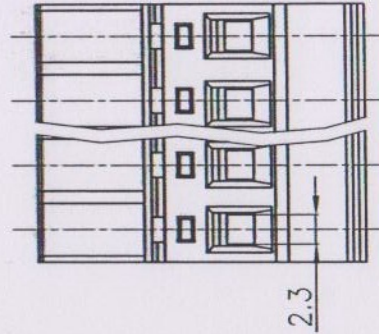
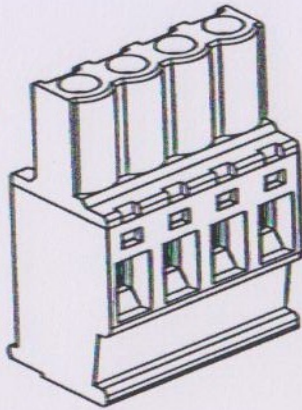
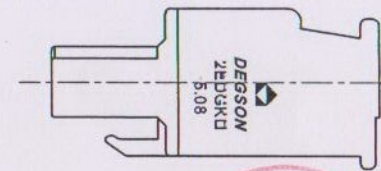


REVISION RECORD				
REV	ECO	DESCRIPTION	DRFT	DATE
△		工程变更	CSX	11/30/06
△		增加UL刻字	CSX	03/12/07
△		增加VDE、CE刻字	WLM	02/11/09



Section A-A



Notes:

1. Pitch: 5.08mm, Poles: 2-24P
2. Rated voltage/current: UL 300V/15A
VDE 320V/10A
3. Operation temperatures: -45°C ~ +105°C
4. Withstanding Voltage: AC2000V/1Min
5. Insulation Resistance: 5000Ω/DC1000V
6. Wire Range: 28~12AWG, 2.5mm²
7. Max. Torque Value: M2.5, 4.08kgf.cm
8. Undimensioned Tolerances:

Pitch range in mm			Maximal dimension range in mm					
to	over	to	over	over	over	over		
6	6	10	30	60	100	150	∩	
	10	24	30	60	100	150	∇	
	±0.10	±0.15	±0.25	±0.2±0.3	±0.5±0.7	±1.0±0.5/1.0		

5	2EDGKA/B-5.08 COVER	1028COYXXA (H)	1	PA66	UL94V-0
4	2EDGKA/B-CLAMP	1028B00010 (H)	XX	Phospor Bronze	Ni plated
3	2EDG SCREW-M2.5	S000000980 (H)△	XX	STEEL	Cr ³⁺ Zn
2	DG128 CAGE	X000000020 (H)	XX	BRASS	Ni plated

1	2EDGKA/B-5.08 HOUSING	1028A0YXXA (H)	1	PA66	UL94V-0
ITEM	NAME OF PART	NO. OF PART	Q'TY	MATERIAL	NOTES
TOLERANCES EXCEPT AS NOTED		DFTD LIN	DATE 05/19/06"	NINGBO DEGSON ELECTRICAL CO., LTD	
MM (INCH)		CHKD	DATE	NAME	
.0 ±		MFO	DATE	2EDGKB-5.08-XXP-1Y-00A(H)	
.00 ±		APPL	DATE	DRAWING NO. 2EDGKB-5.08-E02	
.000 ±		G.E :Series 2EDGKB-5.08		/PART NO.	
ANGLES ± 1'		FINISH :		DO NOT SCALE DRAWING	
THIRD ANGLE PROJECTION		SCALE :		SHEET 1 OF 1	