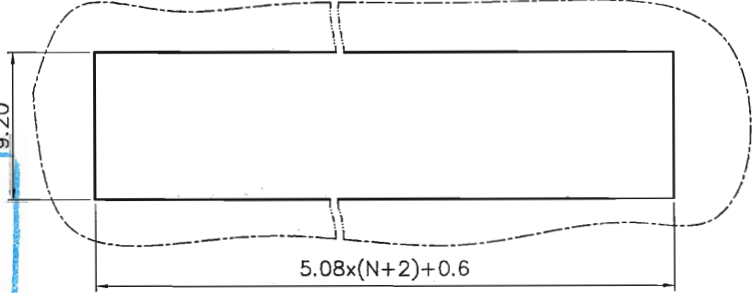
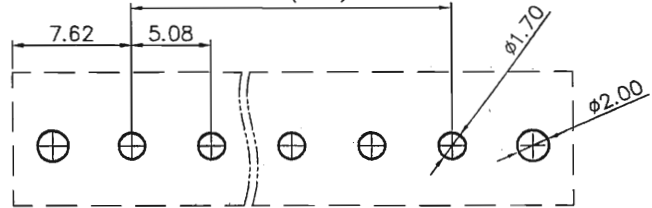
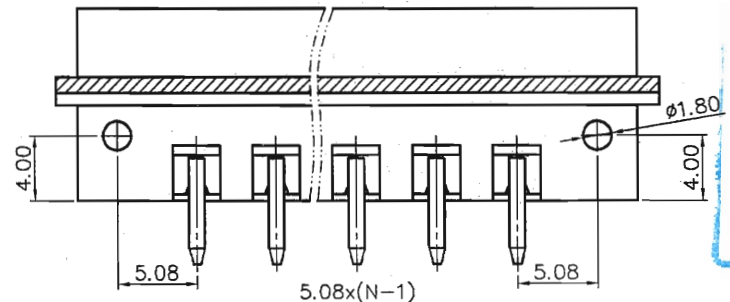
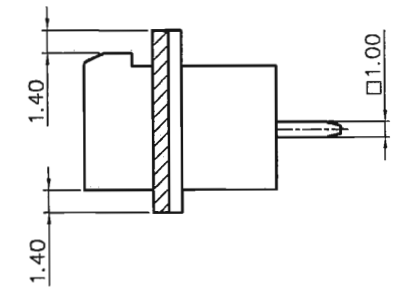
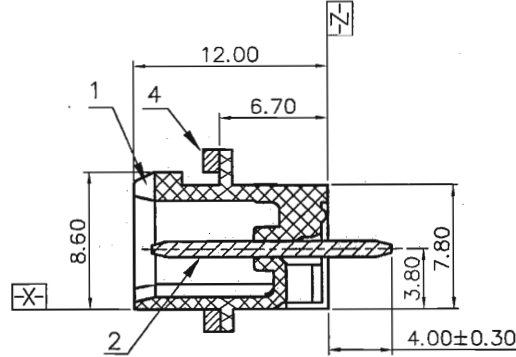
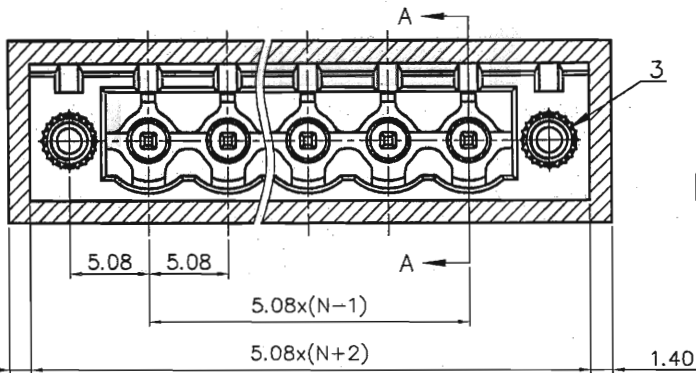
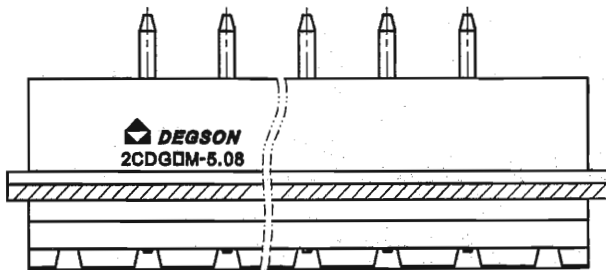


REVISION RECORD				
REV	ECN	DESCRIPTION	DRFT	DATE

PITCH RANGE IN MM			NOMINAL DIMENSION RANGE IN MM					-
TO	OVER	OVER	TO	OVER	OVER	OVER	OVER	
6	6	10	30	30	60	100	OVER	
10	10	24	30	60	100	150	150	
±0.10	±0.15	±0.25	±0.20	±0.30	±0.50	±0.70	±1.00	0.05/10

NOTES:
 1. DIMENSION SHALL BE INTERPRETED PER ASME Y14.5-2009.
 2. PITCH: 5.08MM, POLES: N=2-22P
 3. RATED VOLTAGE/CURRENT: UL1059 300V/15A IEC 320V/20A
 4. OPERATION TEMPERATURES: -30°C ~ +120°C
 5. RATED IMPULSE VOLTAGE: 4.0KV
 6. UNDIMENSIONED TOLERANCES:



文管中心
 研发专用
 2015.06.12
 (仅限内部使用, 对外无效)

ITEM	NAME OF PART	NO. OF PART	Q'TY	MATERIAL	NOTES
4	2CDG-DUST MAT	1156CYXXA(H)	1	EVA	
3	2EDG-NUT	S000001040(H)	2	BRASS	
2	2EDGVC-5.08-13A-PIN	1007B00190(H)	XX	Copper	SN PLATING
1	2CDGV/RM-5.08-HOUSING	1156AYXXA(H)	1	PBT	UL94V-0

DETACHED LISTS	MATERIAL:		FINISH:		NAME:		
	TOLERANCES EXCEPT AS NOTED		PART NO.:		DRAWING NO.:		
	ANGLES ± 1°		APPD: Alan 06/10/15		TITLE: ASSEMBLY DRAWING		
	THIRD ANGLE PROJECTION		DRFT: XLM 2013/05/06		DO NOT SCALE DRAWING		
		MATERIAL:		FINISH:		NAME:	
		PART NO.:		DRAWING NO.:		TITLE:	
		APPD: Alan 06/10/15		TITLE: ASSEMBLY DRAWING		REV TO	
		DRFT: XLM 2013/05/06		DO NOT SCALE DRAWING		SHEET 1/1	

DEGSON 宁波高正电子有限公司
 DEGSON ELECTRONICS CO., LTD

NAME: 2CDGVM-5.08-XXP-1Y-00A(H)

TITLE: ASSEMBLY DRAWING
 DRAWING NO.: 2CDGVM-5.08-E01

DO NOT SCALE DRAWING SCALE 1:1 SHEET 1/1