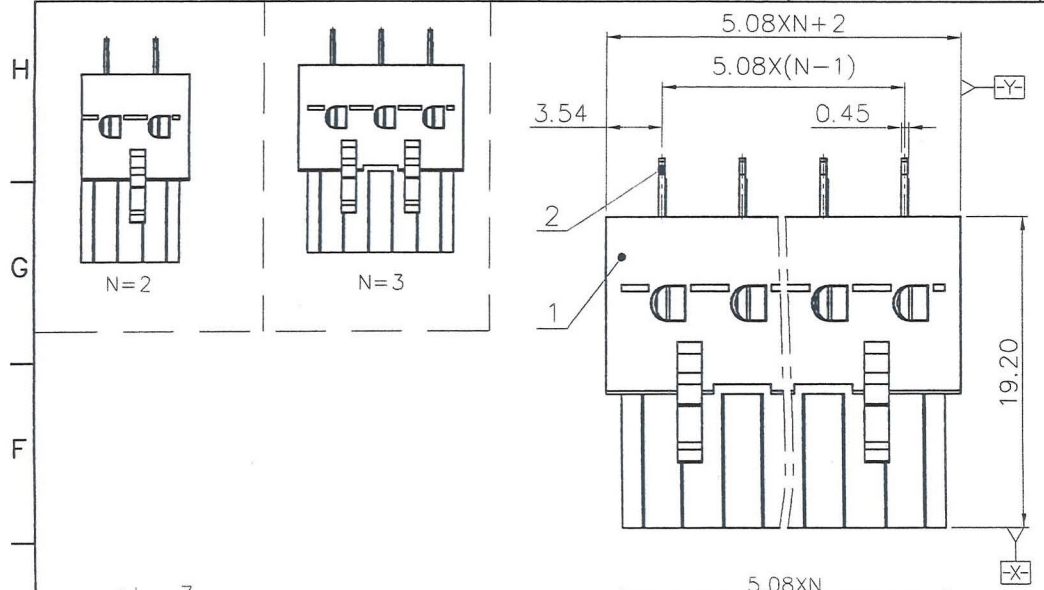


REVISION RECORD				
REV	ECN	DESCRIPTION	DRFT	DATE



NOTES1:  
 UL Standard  
 1. Rated voltage/current : 300V / 15A  
 2. Withstanding voltage : AC1600V/1Min.

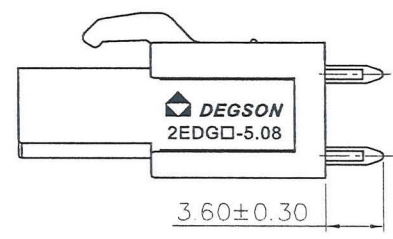
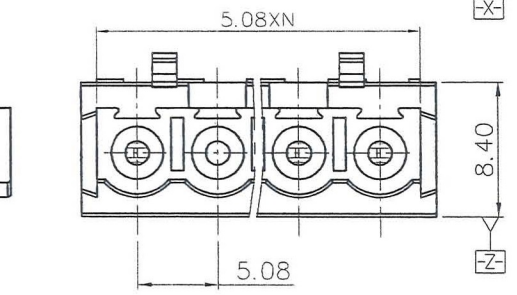
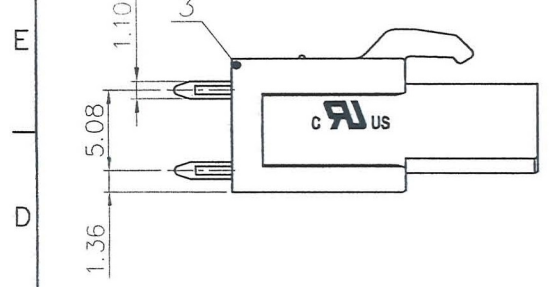
IEC Standard

1.

Pollution degree	2
Overvoltage category	III
Rate impulse voltage(KV)	4.0KV
Rate voltage(V)	320V
Rate current(A)	20A

NOTES2:  
 1. Dimension shall be interpreted per ASME Y14.5-2009  
 2. Pitch : 5.08mm, Poles : N=02~24P  
 3. Operating temperature : -40°C~+105°C  
 4. Undimensioned tolerances:

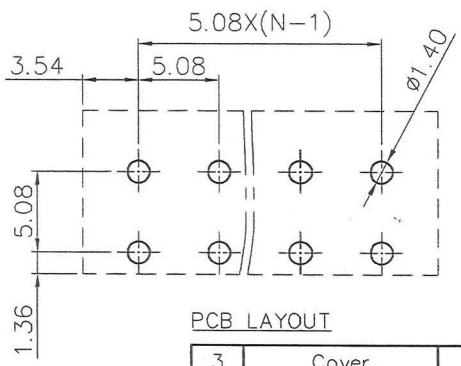
Pitch range in mm		Nominal dimension range in mm					0.1/10	
TO	6 TO 10	Over 10 TO 24	Over 30 TO 60	Over 60 TO 100	Over 100 TO 150	±2'		
±0.15	±0.20	±0.30	±0.30	±0.50	±0.70	±1.00	±1.30	±2'



5. RoHS Compliance

2EDGB - 5.08 - XXP - 1Y - 00A (H)  
 (Series No.) (Pitch) (Poles) (Single Pitch) (Color)  
 (RoHS)  
 00A--(Standard)

1. (Grey)  
 2. (Blue)  
 3. (Black)  
 4. (Green)  
 5. (Orange)  
 6. (Red)  
 7. (Transparent)  
 8. (Yellow)  
 9. (White)



PCB LAYOUT

ITEM	NAME OF PART	MATERIAL	NOTES
3	Cover	PA66	UL94V-0
2	Pin header	Copper alloy	Sn Plated
1	Housing	PA66	UL94V-0

DETACHED LISTS	PART NO.: Series 2EDGB-5.08	宁波高松电子有限公司 NINGBO DEGSON ELECTRICAL CO., LTD		
	APPD: <i>April 2018.8.15</i>	NAME: 2EDGB-5.08-XXP-1Y-00A(H)		
	CHKD: <i>JayZ 2018.8.15</i>	DRFT: CZ 2018.08.11		
	THIRD ANGLE PROJECTION		DRAWING NO.: 2EDGB-5.08-C01	SHEET 1/1
		MM (INCH)	DO NOT SCALE DRAWING	SCALE 1:1