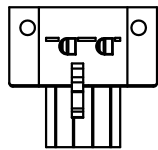
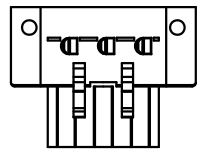


| 未注公差/General tolerances(mm) | | | | | | | | | | | | 0.1/10 | | | |
|---|-------|-------|-------|-------|-------|-------|-------|-------|-------|-------|-------|-----------------|--------|------|--------|
| 0 | >3 | >6 | >10 | >18 | >30 | >50 | >80 | >120 | >180 | >250 | >315 | | >400 | >500 | |
| ~3 | ~6 | ~10 | ~18 | ~30 | ~50 | ~80 | ~120 | ~180 | ~250 | ~315 | ~400 | ~500 | | | |
| ±0.12 | ±0.18 | ±0.22 | ±0.26 | ±0.31 | ±0.37 | ±0.57 | ±0.80 | ±0.93 | ±1.05 | ±1.15 | ±1.60 | ±2.20 | ±2.50 | | |
| UL 标准/UL Standard: | | | | | | | | | | | | B | C | D | |
| 额定电压/电流/Rated Voltage(V)/Current(A) | | | | | | | | | | | | 300/15 | | / | 300/10 |
| EC 标准/IEC Standard: | | | | | | | | | | | | | | | |
| 过压类别/Overvoltage Category/污染等级/Pollution Degree | | | | | | | | | | | | III/3 | III/2 | II/2 | |
| 额定电压/电流/Rated Voltage(V)/Current(A) | | | | | | | | | | | | / | 320/20 | / | |
| 额定脉冲电压(KV)/Rate Impulse Voltage(KV) | | | | | | | | | | | | / | 4 | / | |
| 间距/Pitch(mm)/线数范围/Poles | | | | | | | | | | | | 5.08/N=N=02~24P | | | |
| 使用温度范围/Operating temperature(°C) | | | | | | | | | | | | -40~+105 | | | |
| 符合RoHS环保要求/Conform to RoHS | | | | | | | | | | | | Yes | | | |
| 标准颜色编号/Standard color number: | | | | | | | | | | | | PANTONE / RAL | | | / |

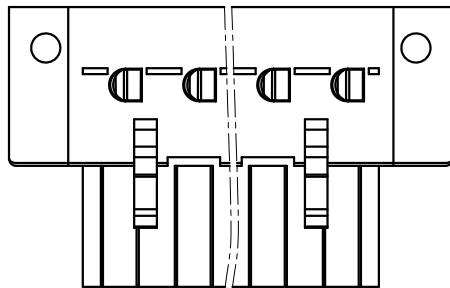
A



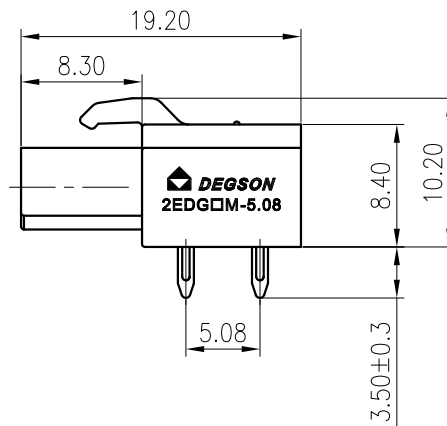
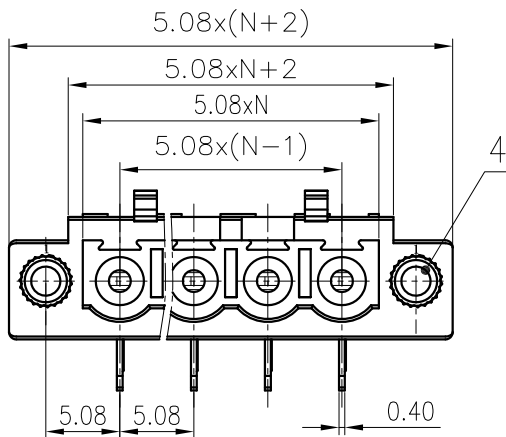
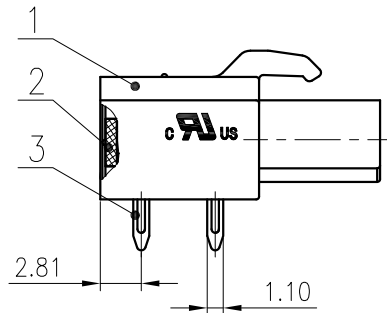
N=2



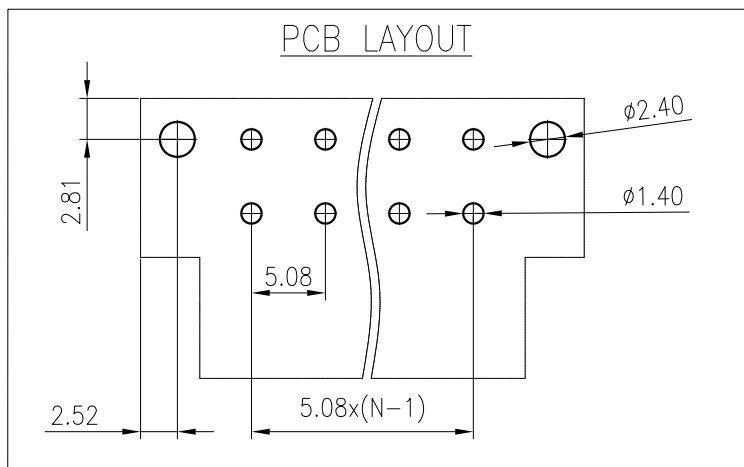
N=3



B



C



| 4 | Screw Cap | Copper alloy | |
|------|--------------|--------------|-----------|
| 3 | Clamp | Copper alloy | Sn Plated |
| 2 | Cover | PA66 | UL94V-0 |
| 1 | Housing | PA66 | UL94V-0 |
| ITEM | NAME OF PART | MATERIAL | NOTES |

D

| | | | |
|-------------------------|------------------------|---|-----------|
| MATERIAL: / | | SURFACE: / | |
| MAT NO.: / | | 宁波高松电子有限公司 NINGBO DEGSON ELECTRICAL CO., LTD | |
| STATUS: / | | | |
| APPD: LiGL 2020.06.22 | | NAME: 2EDGAM-5.08-XXP-14-00A(H) | |
| CHKD: MaoJ 2020.06.22 | | DRAWING NO.: 2EDGAM-5.08-C01 | |
| DRFT: WangY2 2020.06.22 | | REV | TO |
| SIZE: A4 | TYPE: CUSTOMER DRAWING | SCALE: 2:1 | SHEET 1/1 |

| REV | ECN | DESCRIPTION | DRFT | DATE |
|-----|-----|-------------|------|------|
|-----|-----|-------------|------|------|