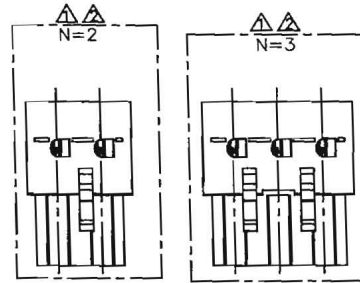
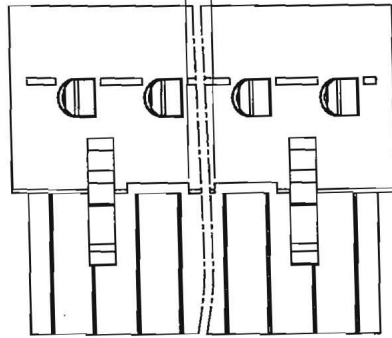
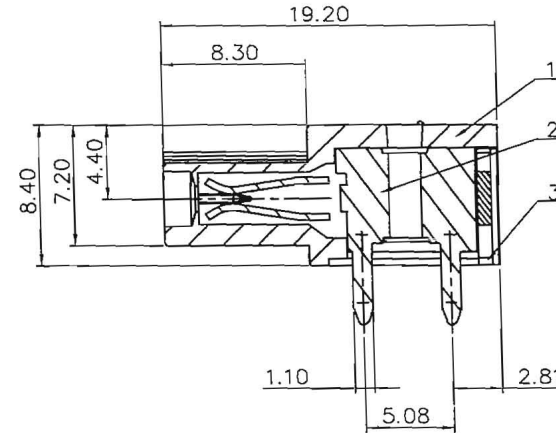
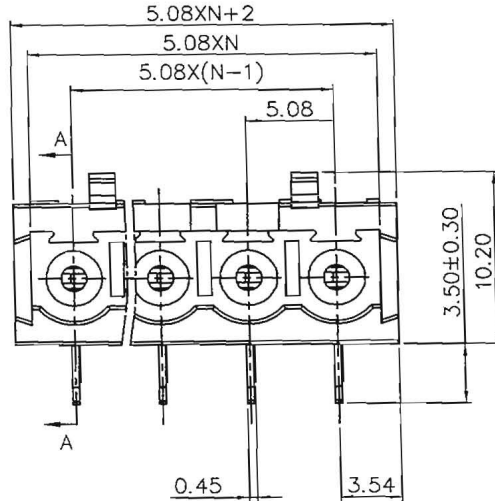


| REVISION RECORD | | | | |
|-----------------|---------|----------------|-------|-----------|
| REV | ECN | DESCRIPTION | DRFT | DATE |
| △ | 11-0188 | 增加文字说明 | HARRY | 07/15/11* |
| △ | 14-0241 | 实物与图面不符及修改电气参数 | GZJ | 08/05/14* |

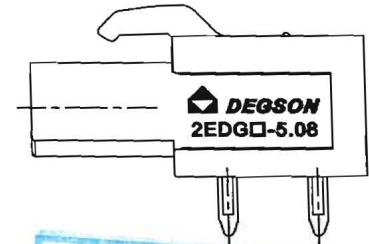
△ 5.08X(N-4)+1.48 (N>3)



SCALE: 1/2



SEC A-A



| ITEM | NAME OF PART | NO. OF PART | Q'TY | MATERIAL | NOTES |
|------|----------------------|---------------|------|-----------------|------------|
| 3 | 2EDGA/B-5.08-Cover | 1208COYXXA(H) | 1 | PA66 | UL94V-0 |
| 2 | 2EDGA-Clamp | 1208B00010(H) | XX | Phosphor bronze | Sn Plating |
| 1 | 2EDGA/B-5.08-Housing | 1208A0YXXA(H) | 1 | PA66 | UL94V-0 |

- NOTES:
 1. DIMENSION SHALL BE INTERPRETED PER ASME Y14.5-2009.
 2. PITCH: 5.08MM, POLES: N=2-24P
 3. RATED VOLTAGE/CURRENT: UL300V/15A △ IEC320V/20A
 4. OPERATION TEMPERATURES: -40°C~+105°C
 5. RATED IMPULSE VOLTAGE: 4.0KV
 6. INSULATION RESISTANCE: 5000MΩ/DC1000V
 7. UNDIMENSIONED TOLERANCES:

| PITCH RANGE IN MM | | NOMINAL DIMENSION RANGE IN MM | | | | | | |
|-------------------|-------|-------------------------------|-------|-------|-------|-------|-------|---------|
| TO | OVER | OVER | TO | TO | TO | TO | OVER | |
| 6 | 6 | 10 | 10 | 30 | 60 | 100 | 150 | □ |
| | ±0.10 | ±0.15 | ±0.25 | ±0.20 | ±0.30 | ±0.50 | ±0.70 | ±1.00 |
| | | | | | | | | 0.05/10 |

| | | | | | | | | |
|----------------|----------------------------|-----------------------|---------------------|-----------|-----------------------------|-----------|----------------------|--|
| DETACHED LISTS | MATERIAL: | | FINISH: | | PART NO.: | | NAME: | |
| | TOLERANCES EXCEPT AS NOTED | | .X ± .XX ± .XXX ± | | .X' ± .XX' ± .XXX' ± | | Series 2EDGA-5.08 | |
| | ANGLES ± 1° | | APPD: Jean 08/07/14 | | TITLE: ASSEMBLY DRAWING | | REV T2 | |
| | THIRD ANGLE PROJECTION | | CHKD: Aron 8/7-14 | | DRAWING NO.: 2EDGA-5.08-E01 | | DO NOT SCALE DRAWING | |
| | | DRFT: Apple 06/24/08* | | SCALE 1:1 | | SHEET 1/1 | | |

DEGSON 宁波高正电子有限公司 Ningbo Degson Electrical Co., Ltd.

NAME: 2EDGA-5.08-XXP-1Y-00A(H)

REV T2

SCALE 1:1 SHEET 1/1