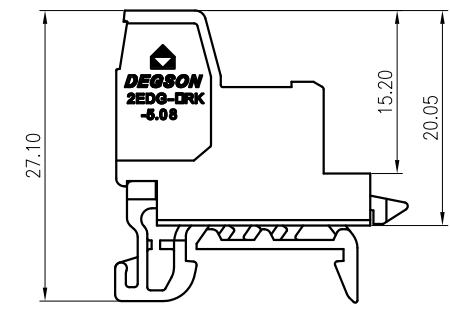
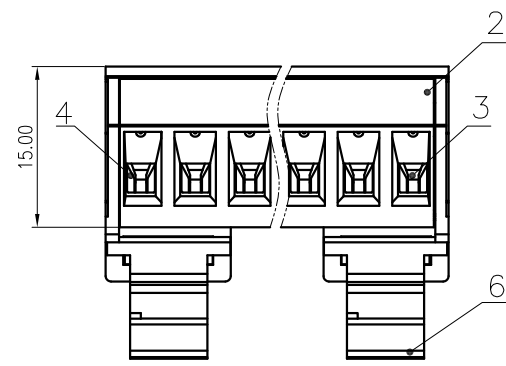
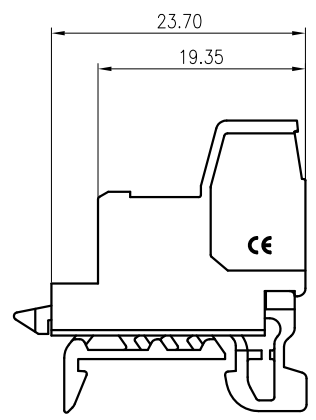
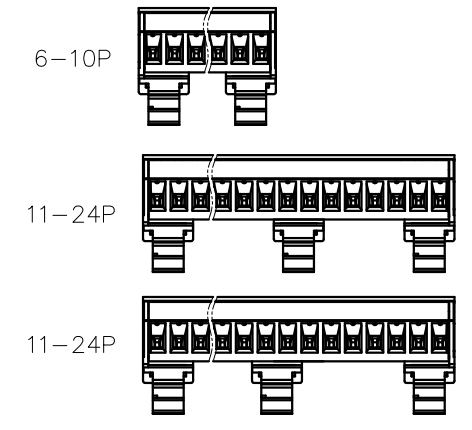
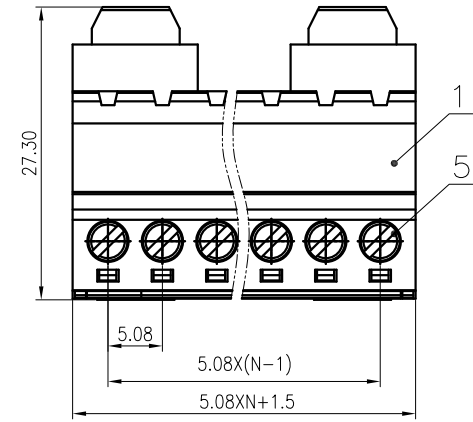


未注公差/General tolerances(mm)											0.1/10			
0	>3	>6	>10	>18	>30	>50	>80	>120	>180	>250		>315	>400	>500
±0.12	±0.18	±0.22	±0.26	±0.31	±0.37	±0.57	±0.80	±0.93	±1.05	±1.15	±1.60	±2.20	±2.50	±2'



文管中心
研发专用
2020.05.18
(仅限内部使用, 对外无效)

6	Housing 2	PA66	UL94V-0
5	Screw	Steel	M3/Zn Plated
4	Cage	Copper alloy	M3/Ni Plated
3	Pin header	Copper	Sn Plated
2	Cover	PA66	UL94V-0
1	Housing 1	PA66	UL94V-0
ITEM	NAME OF PART	MATERIAL	NOTES
UL 标准/UL Standard:		B	C
额定电压/电流/Rated Voltage(V)/Current(A)		300/15	300/10
IEC 标准/IEC Standard:			
电压类别/Overvoltage Category/污染等级/Pollution Degree		III/3	III/2
额定电压/电流/Rated Voltage(V)/Current(A)		/	320/20
额定脉冲电压(KV)/Rate Impulse Voltage(KV)		/	4
线数范围/Poles			N=06~24P
使用温度范围/Operating temperature(°C)			-40~+105
符合RoHS环保要求/Conform to RoHS			Yes

MATERIAL:	/	SURFACE:	/
MAT NO.:	/	宁波高松电子有限公司 NINGBO DEGSON ELECTRICAL CO., LTD	
STATUS:	/	NAME: 2EDG-VRK-5.08-XXP-1Y-00A(H)	
APPD: Lan ChH	2020.05.18	DRAWING NO.: 2EDG-VRK-5.08-C01	
CHKD:	/	REV	T1
DRFT: chenZh	2018.08.29	TYPE: CUSTOMER DRAWING	SCALE: 2:1 SHEET 1/1

REV	ECN	DESCRIPTION	DRFT	DATE