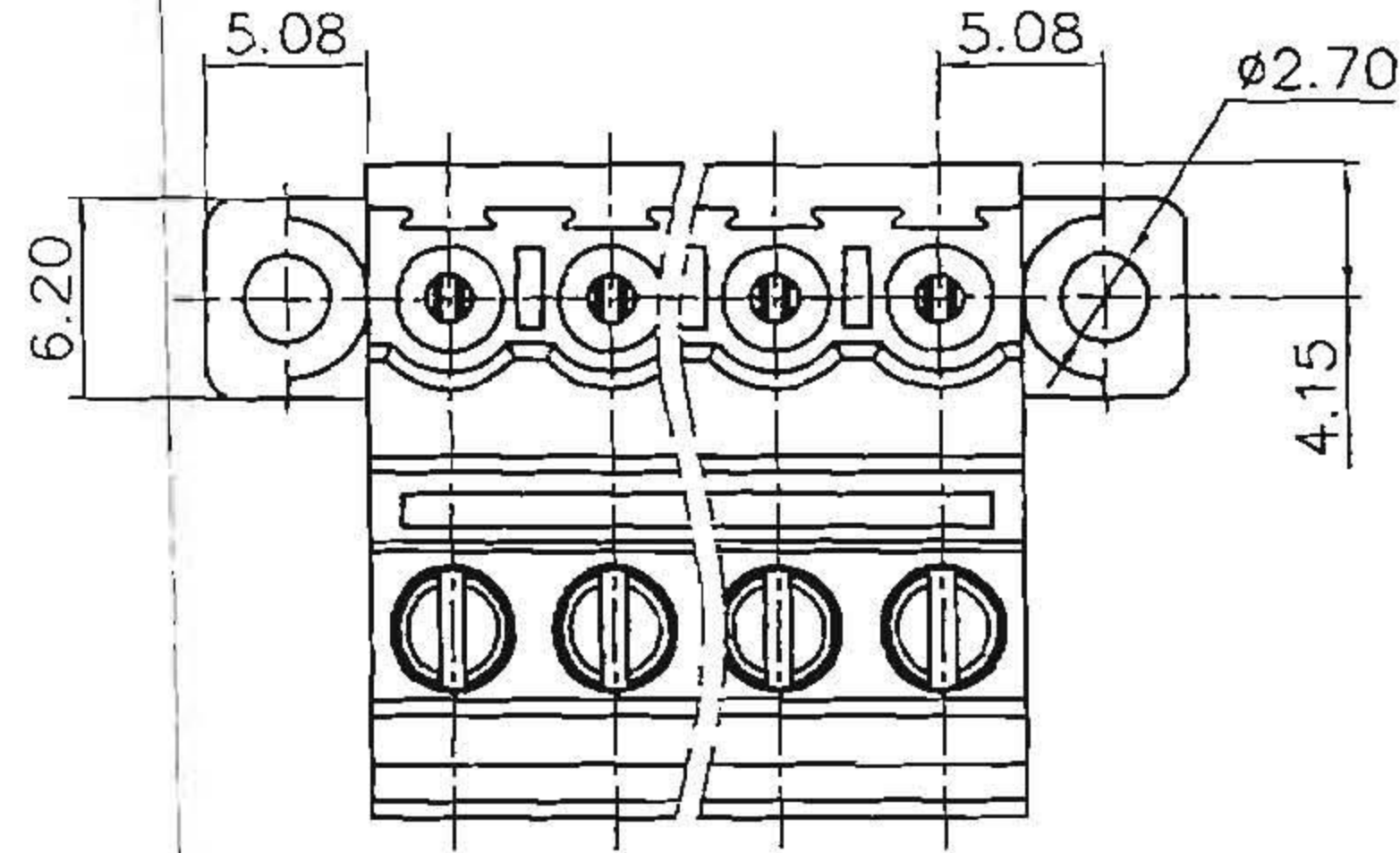
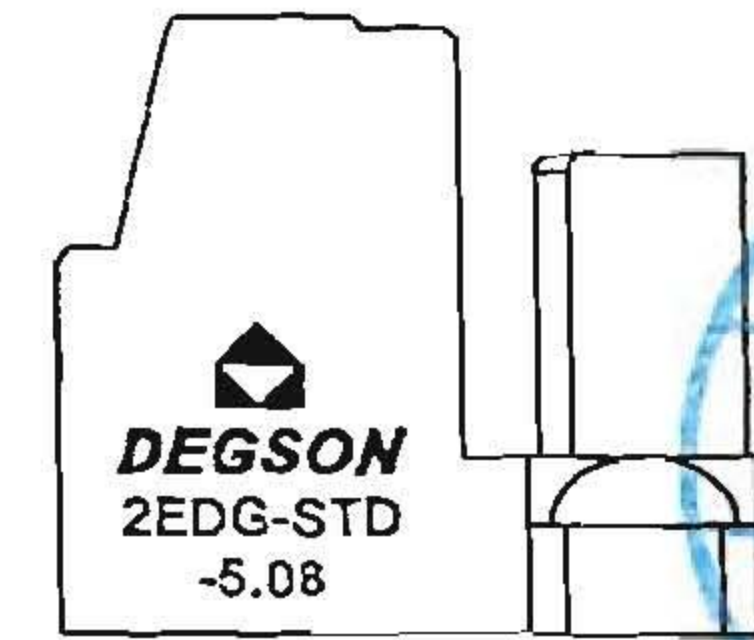
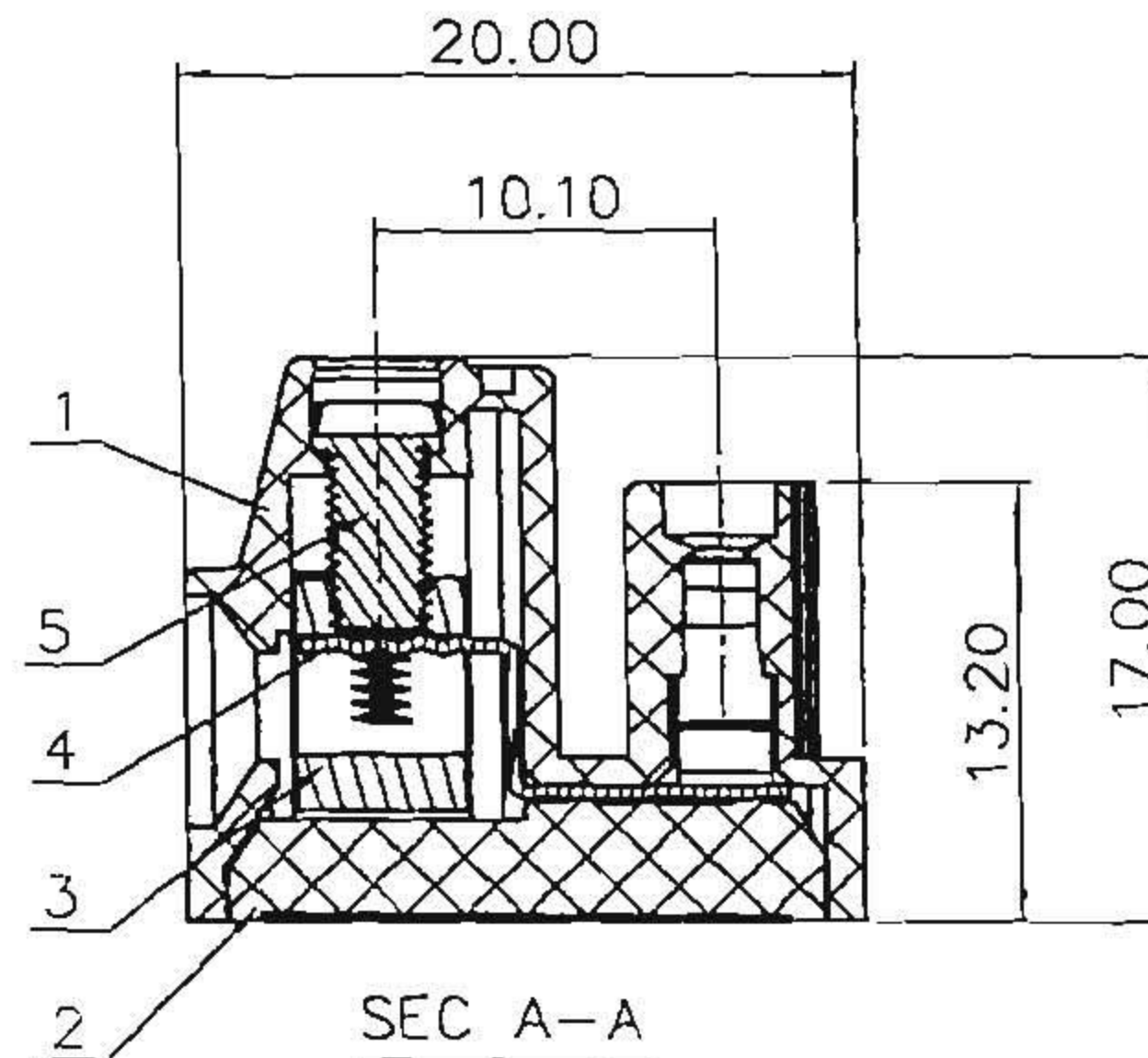
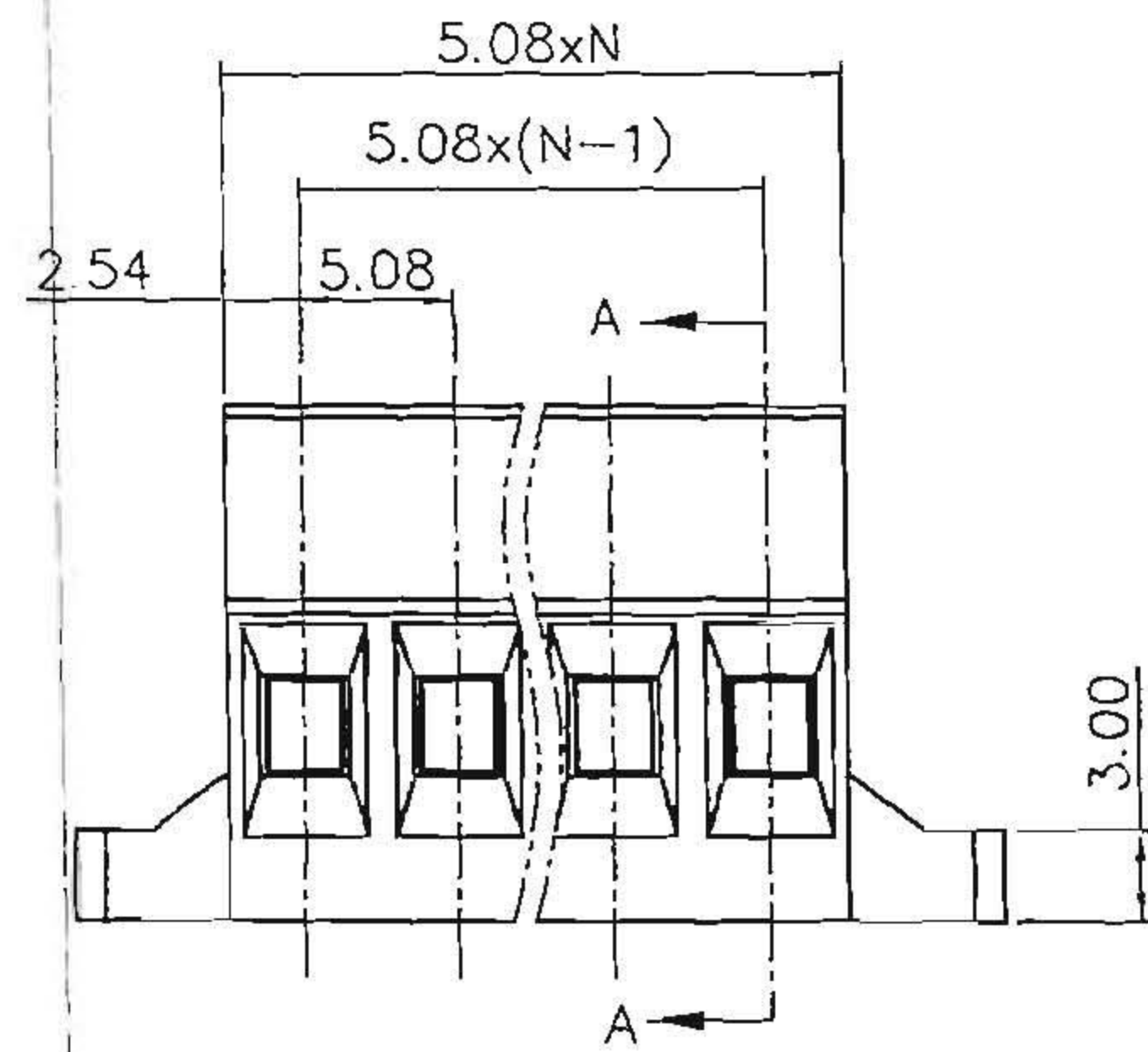
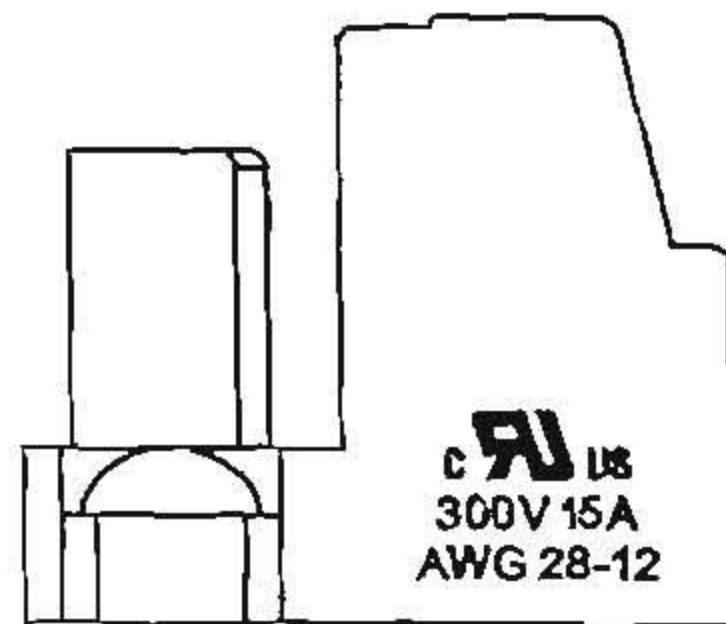


REVISION RECORD				
REV	ECN	DESCRIPTION	DRFT	DATE

- NOTES:
- 1.DIMENSION SHALL BE INTERPRETED PER ASME Y14.5-2009.
 - 2.PITCH: 5.08MM ,POLES: N=2-24P
 - 3.RATED VOLTAGE/CURRENT: UL 300V/15A
IEC 250V/24A
 - 4.OPERATION TEMPERATURES: -40°C~+105°C
 - 5.RATED IMPULSE VOLTAGE: 2500V
 - 6.INSULATION RESISTANCE: 5000MΩ/DC1000V
 - 7.WIRE RANGE: 28~12AWG,2.5MM²
 - 8.TORQUE VALUE: M3,6.0kgf.cm
 - 9.UNDIMENSIONED TOLERANCES:



PITCH RANGE IN MM		NOMINAL DIMENSION RANGE IN MM					—	
OVER 6 TO	OVER 10 TO	OVER 10 TO	OVER 30 TO	OVER 60 TO	OVER 100 TO	OVER 150 TO	∩	
TO 6	TO 10	TO 24	TO 30	TO 60	TO 100	TO 150	◇	
±0.10	±0.15	±0.25	±0.20	±0.30	±0.50	±0.70	±1.00	0.05/10



ITEM	NAME OF PART	NO. OF PART	Q'TY	MATERIAL	NOTES
5	2EDGK-M3-Screw	S000006350(H)	N	Steel	Zn Plated
4	2EDG-STD-5.0-Clamp	1071B00010(H)	N	Phosphor bronze	Sn Plated
3	2EDGK-M3-Cage	X000003850(H)	N	Brass	Ni Plated
2	2EDG-STD-5.08-Cover	1078COYXXA(H)	1	PA66	UL94 V-0
1	2EDG-STD-5.08-Housing	1078A0YXXA(H)	1	PA66	UL94 V-0

DETACHED LISTS	TOLERANCES EXCEPT AS NOTED		FINISH:		MATERIAL:		宁波高正电子有限公司 Ningbo Degson Electrical Co., Ltd.	
	.X ±	.X' ±	PART NO.:		NAME:		TITLE:	
	.XX ±	.XX' ±	Series 2EDG-STD-5.08		2EDG-STD-5.08-XXP-1Y-1000A(H)		ASSEMBLY DRAWING	
	.XXX ±	.XXX' ±	APPD: Jean 12/25/13		CHKD: Aomn 12/25-13		DRAWING NO.: 2EDG-STD-5.08-E01	
ANGLES ± 1°		THIRD ANGLE PROJECTION		DRFT: XLM 12/25/13"		DO NOT SCALE DRAWING		SCALE: 1:1
						REV	TO	SHEET
								1/1