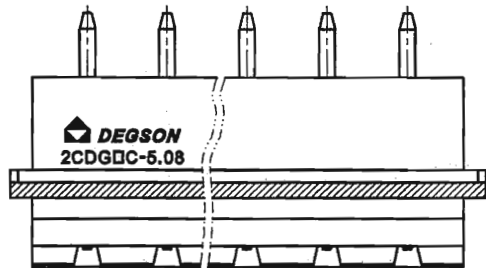
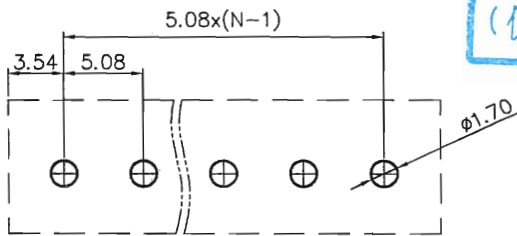
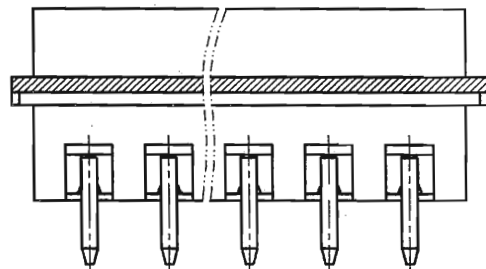
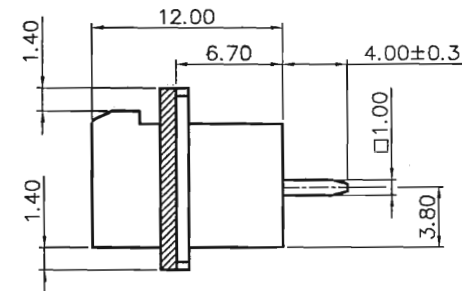
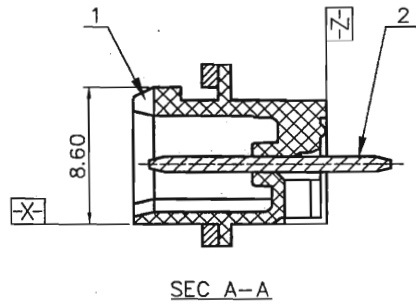
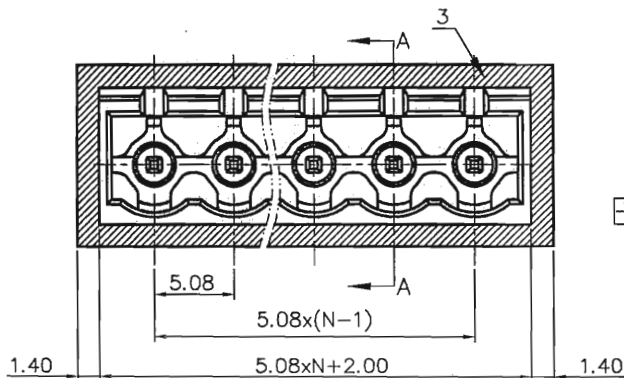


| REVISION RECORD | | | | |
|-----------------|-----|-------------|------|------|
| REV | ECN | DESCRIPTION | DRFT | DATE |



- NOTES:
 1.DIMENSION SHALL BE INTERPRETED PER ASME Y14.5-2009.
 2.PITCH: 5.08MM ,POLES: N=2-24P
 3.RATED VOLTAGE/CURRENT: UL1059 300V/15A IEC 320V/20A
 4.OPERATION TEMPERATURES: -30℃~+120℃
 5.RATED IMPULSE VOLTAGE: 4.0KV
 6.UNDIMENSIONED TOLERANCES:

| PITCH RANGE IN MM | | NOMINAL DIMENSION RANGE IN MM | | | | | - |
|-------------------|---------------|-------------------------------|----------------|-----------------|----------|---------|---|
| OVER 6 TO 10 | OVER 10 TO 24 | OVER 30 TO 60 | OVER 60 TO 100 | OVER 100 TO 150 | OVER 150 | 0.05/10 | |
| ±0.10 | ±0.15 | ±0.25 | ±0.20 | ±0.30 | ±0.50 | ±1.00 | |



P.C.B LAYOUT

文管中心
 研发专用
 2015.06.12
 (仅限内部使用, 对外无效)

DIMENSIONED DRAWING

| ITEM | NAME OF PART | NO. OF PART | Q'TY | MATERIAL | NOTES |
|------|-----------------------|---------------|------|----------|------------|
| 3 | 2CDG-DUST MAT | 1391CYXXA(H) | 1 | EVA | |
| 2 | 2EDGVC-5.08-13A-PIN | 1007B00190(H) | XX | Copper | SN PLATING |
| 1 | 2CDGV/RC-5.08-HOUSING | 1391AYXXA(H) | 1 | PBT | UL94V-0 |

| | | | | | |
|----------------|----------------------------|----------------------------|---|---------------------------------|-----------|
| DETACHED LISTS | TOLERANCES EXCEPT AS NOTED | MATERIAL: | 宁波高正电子有限公司 DEGSON® DEGSON ELECTRONICS CO., LTD | | |
| | .X ± .XX ± .XXX ± | .X" ± .XX" ± .XXX" ± | FINISH: | NAME: 2CDGVC-5.08-XXP-1Y-00A(H) | |
| | ANGLES ± 1° | APPD: Alan 06/10/15 | TITLE: ASSEMBLY DRAWING | REV | TO |
| | THIRD ANGLE PROJECTION | CHKD: XLM 06/10/15 | DRAWING NO.: 2CDGVC-5.08-E01 | DO NOT SCALE DRAWING | SCALE 1:1 |