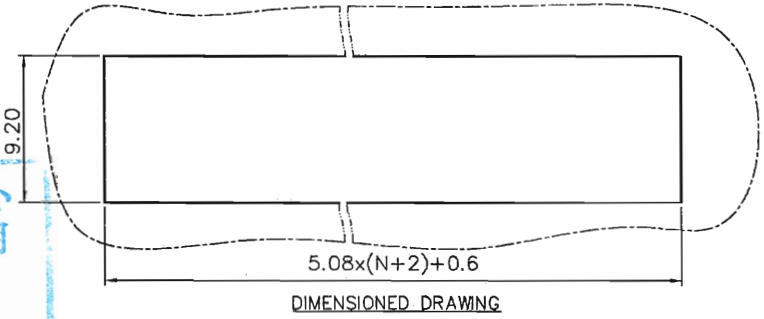
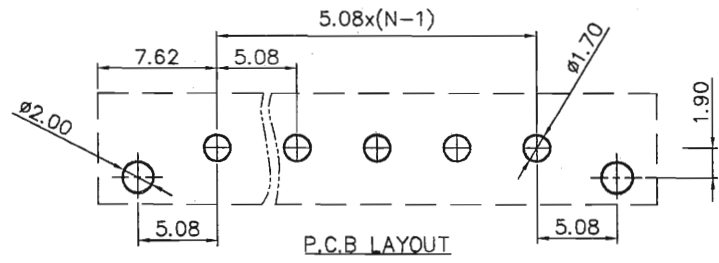
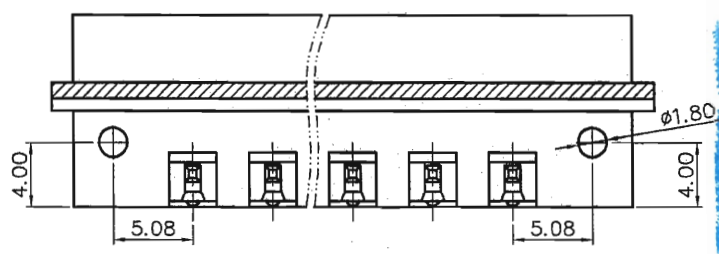
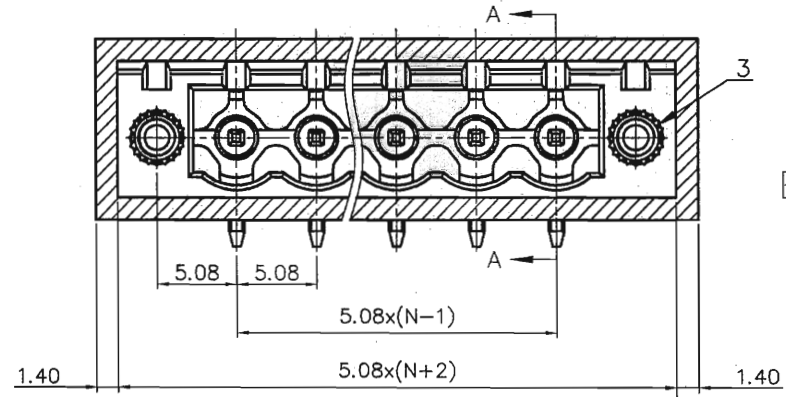
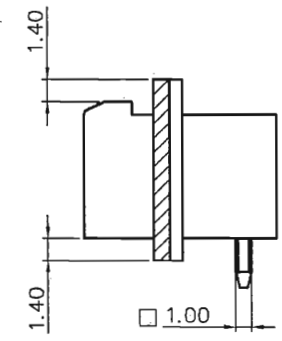
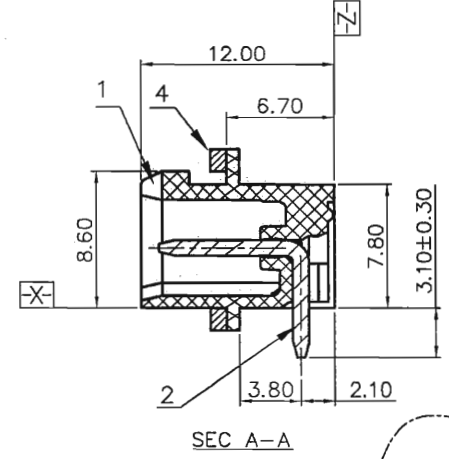
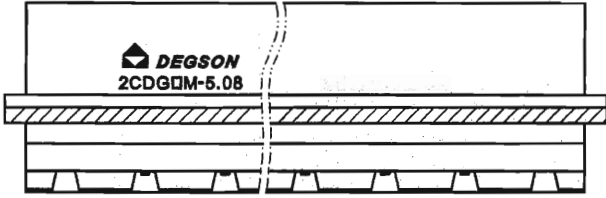


REVISION RECORD				
REV	ECN	DESCRIPTION	DRFT	DATE

PITCH RANGE IN MM		NOMINAL DIMENSION RANGE IN MM					
TO	OVER	TO	OVER	TO	OVER	TO	OVER
6	10	30	60	100	150	150	
10	24	60	100	150	150	150	
±0.10	±0.15	±0.25	±0.20	±0.30	±0.50	±0.70	±1.00
							0.05/10

NOTES:
 1. DIMENSION SHALL BE INTERPRETED PER ASME Y14.5-2009.
 2. PITCH: 5.08MM ,POLES: N=2-22P
 3. RATED VOLTAGE/CURRENT: UL1059 300V/15A IEC 320V/20A
 4. OPERATION TEMPERATURES: -30°C~+120°C
 5. RATED IMPULSE VOLTAGE: 4.0KV
 6. UNDIMENSIONED TOLERANCES:



文管中心
 研发专用
 2015.06.12
 (仅限内部使用, 对外无效)

ITEM	NAME OF PART	NO. OF PART	Q'TY	MATERIAL	NOTES
4	2CDG-DUST MAT	1156CYXXA(H)	1	EVA	
3	2EDG-NUT	S000001040(H)	2	BRASS	
2	2EDGVC-5.08-13A-PIN	1008B00150(H)	XX	Copper	SN PLATING
1	2CDGV/RM-5.08-HOUSING	1156AYXXA(H)	1	PBT	UL94V-0

DETACHED LISTS	MM (INCH)	MATERIAL:	宁波高正电子有限公司		
	TOLERANCES EXCEPT AS NOTED	FINISH:	DEGSON® DEGSON ELECTRONICS CO., LTD		
	.X ± .XX ± .XXX ±	PART NO.:	NAME: 2CDGRM-5.08-XXP-1Y-00A(H)		
	.X' ± .XX' ± .XXX' ±	APPD: Alan 06/01/15	TITLE: ASSEMBLY DRAWING		
ANGLES ± 1'	CHKD: Lm 0/0/15	DRAWING NO.: 2CDGRM-5.08-E01		REV	TO
THIRD ANGLE PROJECTION	DRFT: XLM 2013/05/06	DO NOT SCALE DRAWING		SCALE	1:1
				SHEET	1/1