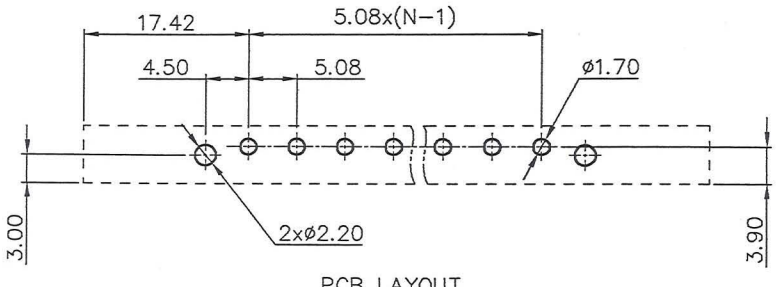
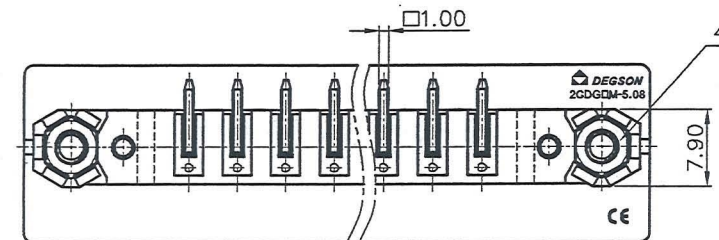
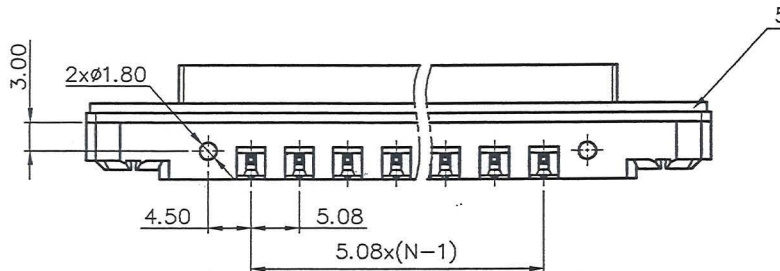
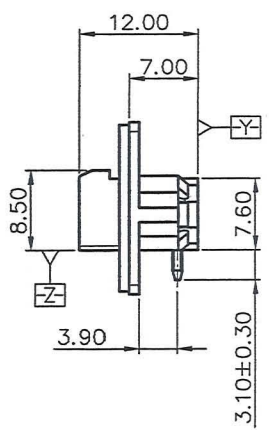
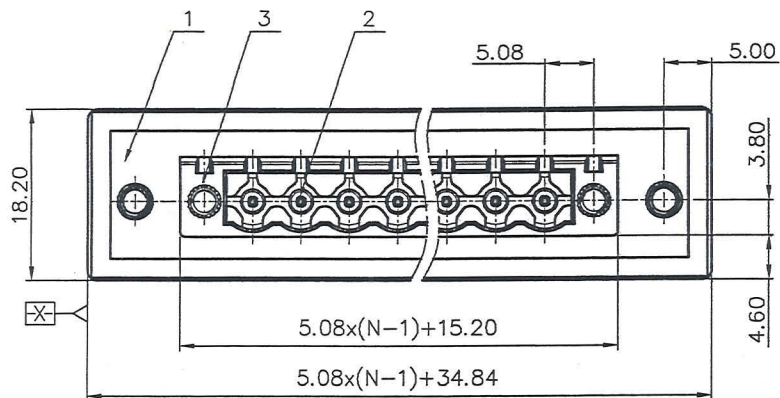


REVISION RECORD				
REV	ECN	DESCRIPTION	DRFT	DATE



NOTES1:
 UL Standard
 1. Rated voltage/current : 300V / 15A
 2. Withstanding voltage : AC1600V/1Min.

IEC Standard

1. Pollution degree	2	2	3
Overvoltage category	II	III	III
Rate impulse voltage(KV)	4.0KV	4.0KV	4.0KV
Rate voltage(V)	400V	320V	250V
Rate current(A)	12A		

NOTES2:
 1. Dimension shall be interpreted per ASME Y14.5-2009
 2. Pitch : 5.08mm, Poles : N=02~22P
 3. Operating temperature: -40°C~+105°C
 4. Undimensioned tolerances:

Pitch range in mm		Nominal dimension range in mm					±	∅	∠
TO	6 TO 10	Over 6 TO 10	Over 10 TO 24	Over 30 TO 60	Over 60 TO 100	Over 100 TO 150	Over 150	0.1/10	
±0.15	±0.20	±0.30	±0.30	±0.50	±0.70	±1.00	±1.30	±2'	

5. RoHS Compliance



5	Dust mat	EVA	UL94V-0
4	Nut 2	Steel	M3/Zn Plated
3	Nut 1	Copper alloy	M2.5
2	Pin	Copper alloy	Sn Plated
1	Housing	PA66	UL94V-0
ITEM	NAME OF PART	MATERIAL	NOTES

DETACHED LISTS	PART NO.: Series 2CDGRM-5.08	宁波高松电子有限公司 NINGBO DEGSON ELECTRICAL CO., LTD		
	APPD: <i>Amun 2017-10-09</i>	NAME: 2CDGRM-5.08-XXP-1Y-100A(H)		
	CHKD: <i>Jay 2017/10/19</i>	TITLE: CUSTOMER DRAWING		
	DRFT: LYP 08/22/16"	REV	TO	SHEET
THIRD ANGLE PROJECTION		DRAWING NO.: 2CDGRM-5.08-C02	SCALE	1/1
		MM (INCH)	DO NOT SCALE DRAWING	SCALE 1:1