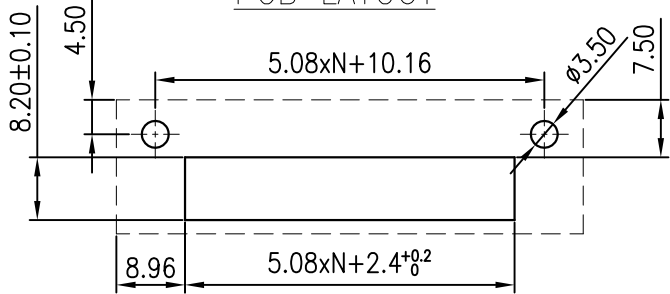
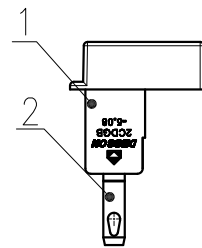
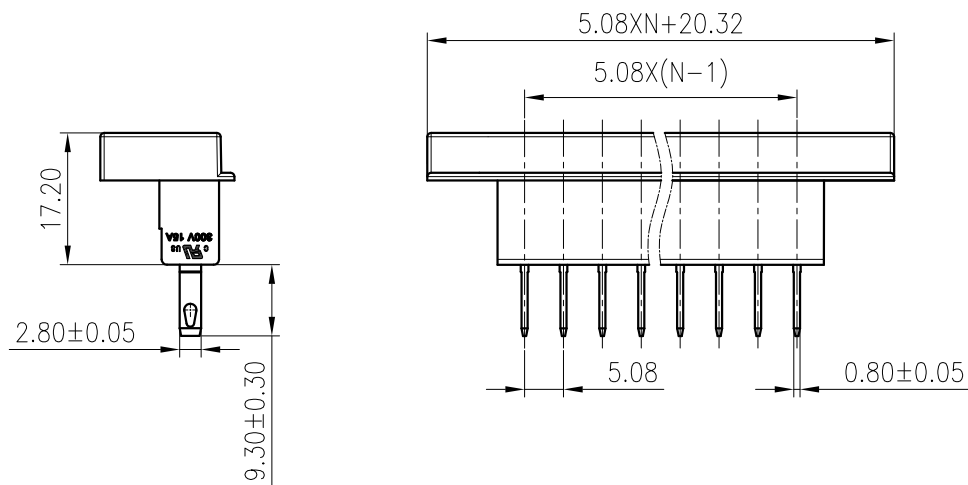
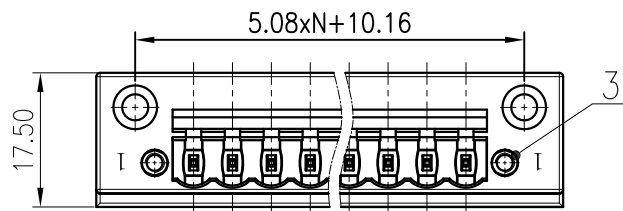


PCB LAYOUT



未注公差/General tolerances(mm)													0.1/10	
0	>3	>6	>10	>18	>30	>50	>80	>120	>180	>250	>315	>400	>500	±2'
~3	~6	~10	~18	~30	~50	~80	~120	~180	~250	~315	~400	~500		
±0.12	±0.18	±0.22	±0.26	±0.31	±0.37	±0.57	±0.80	±0.93	±1.05	±1.15	±1.60	±2.20	±2.50	

文 管 中 心
研 发 专 用
2020.05.18
(仅限内部使用, 对外无效)



ITEM	NAME OF PART	MATERIAL	NOTES
3	Screw Cap	Copper Alloy	/
2	Pin	Copper Alloy	Sn Plated
1	Housing	PA66	UL94V-0

UL 标准/UL Standard:	B	C	D
额定电压/电流/Rated Voltage(V)/Current(A)	300/15	/	300/10

IEC 标准/IEC Standard:	III/3	III/2	II/2
过压类别/Overvoltage Category/污染等级/Pollution Degree			
额定电压/电流/Rated Voltage(V)/Current(A)	/	320/12	/
额定脉冲电压(KV)/Rate Impulse Voltage(KV)	/	4.0	/
间距/Pitch(mm)/线数范围/Poles	5.08/N=02~24P		
使用温度范围/Operating temperature(°C)	-40~+105		
符合RoHS环保要求/Conform to RoHS	Yes		

2CDGB-5.08-XXP-1Y-00A(H) or 2CDGB-5.08-XXP-1Y-00Z(H)
2CDGB-5.08-XXP-1Y-00AH or 2CDGB-5.08-XXP-1Y-00ZH
2CDGB-5.08 - series of terminals
XXP - number of Poles (number of Pins)
1 - single-row
Y - color of housing (4 - green color)
00A(H) or 00Z(H) (00AH or 00ZH) - no value

Note:
The A&Z(H) in the name means: A(H) and Z(H)

REV	ECN	DESCRIPTION	DRFT	DATE

MATERIAL: /	SURFACE: /		
MAT NO.: /	宁波高松电子有限公司 NINGBO DEGSON ELECTRICAL CO., LTD		
STATUS: /			
APPD: LanChH 2020.05.18	NAME: 2CDGB-5.08-XXP-1Y-00A&Z(H)		
CHKD: GonYZh 2020.05.18	DRAWING NO.: 10002088		
DRFT: ChenZhM 2020.05.18	REV: TO		TO
SIZE: A4	TYPE: CUSTOMER DRAWING	SCALE: 1:1	SHEET 1/1