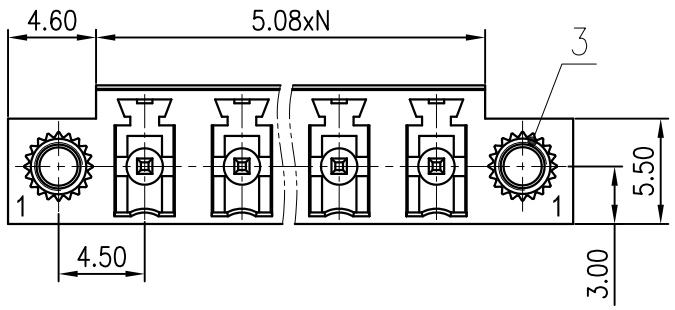
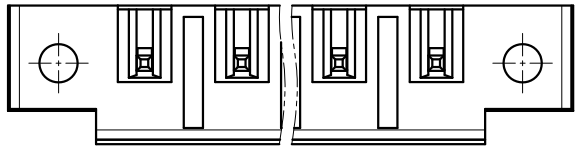
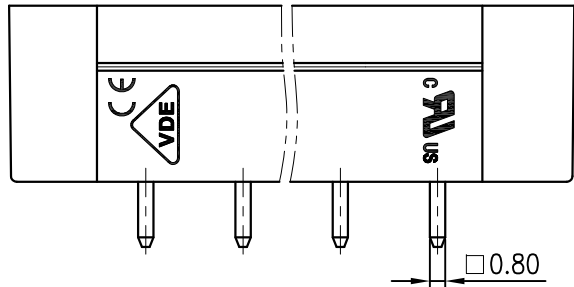
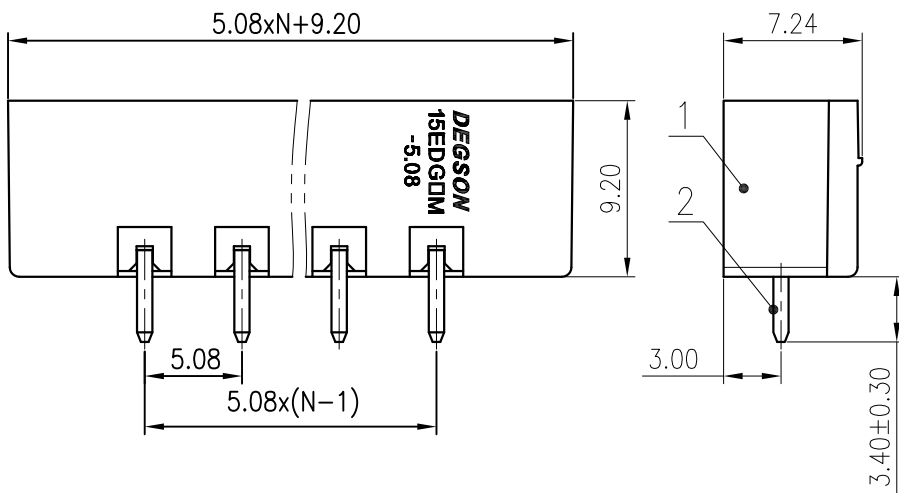
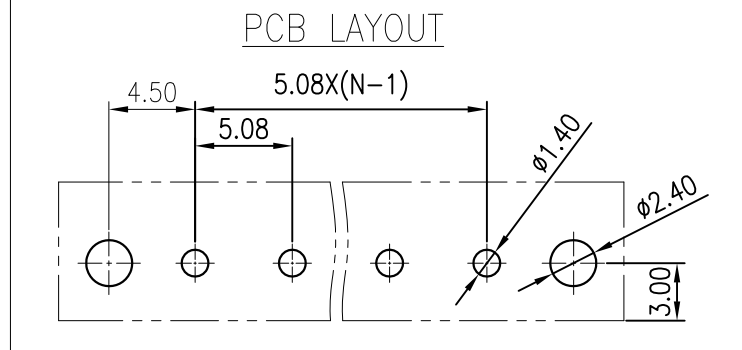


| 未注公差/General tolerances(mm) | | | | | | | | | | | 0.1/10 | | |
|-----------------------------|-------|-------|-------|-------|-------|-------|-------|-------|-------|-------|--------|-------|-------|
| 0 | >3 | >6 | >10 | >18 | >30 | >50 | >80 | >120 | >180 | >250 | | >315 | >400 |
| ~3 | ~6 | ~10 | ~18 | ~30 | ~50 | ~80 | ~120 | ~180 | ~250 | ~315 | ~400 | ~500 | ~2.50 |
| ±0.12 | ±0.18 | ±0.22 | ±0.26 | ±0.31 | ±0.37 | ±0.57 | ±0.80 | ±0.93 | ±1.05 | ±1.15 | ±1.60 | ±2.20 | ±2.50 |



文管中心
研发专用
2020.06.02
(仅限内部使用, 对外无效)



| ITEM | NAME OF PART | MATERIAL | NOTES |
|------|--------------|--------------|-----------|
| 3 | Screw cap | Copper alloy | M2.5 |
| 2 | Pin | Copper alloy | Sn Plated |
| 1 | Housing | PA66 | UL94V-0 |

| | | |
|---|--|---------------|
| JL 标准/UL Standard: | | B |
| 额定电压/电流/Rated Voltage(V)/Current(A) | | 300/8 |
| EC 标准/IEC Standard: | | |
| 过压类别/Overvoltage Category/污染等级/Pollution Degree | | II/2 |
| 额定电压/电流/Rated Voltage(V)/Current(A) | | 450/7 |
| 额定脉冲电压(KV)/Rate Impulse Voltage(KV) | | 4 |
| 间距/Pitch(mm)/线数范围/Poles | | 5.08/N=02~12P |
| 使用温度范围/Operating temperature(°C) | | -40~+105 |
| 符合RoHS环保要求/Conform to RoHS | | Yes |

| | | | |
|--------------------------|-------------------------------|--------------|-----------|
| MATERIAL: | SURFACE: | | |
| MAT NO.: | / | | |
| STATUS: | / | | |
| APPD: Lan ChH 2020.06.02 | NAME: | | |
| CHKD: / | 15EDGVM-5.08-XXP-1Y-00A(H) | | |
| DRFT: HZD 2015.08.24 | DRAWING NO.: 15EDGVM-5.08-C01 | | REV T1 |
| SIZE: A4 | TYPE: CUSTOMER DRAWING | SCALE: 2.5:1 | SHEET 1/1 |

| REV | ECN | DESCRIPTION | DRFT | DATE |
|-----|-----|--|--------|------------|
| T1 | | Change the drawing and tolerance table | Yu JZh | 2020.06.02 |