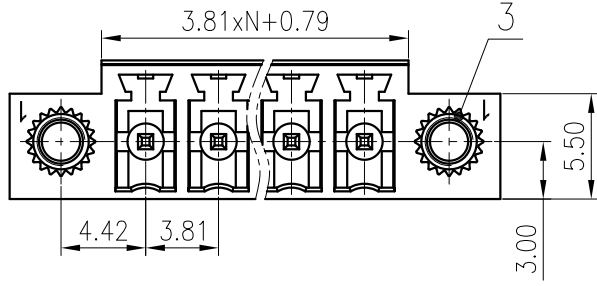
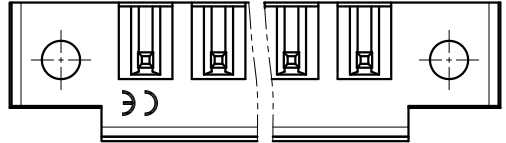
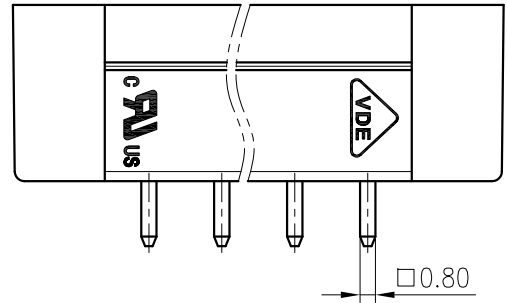
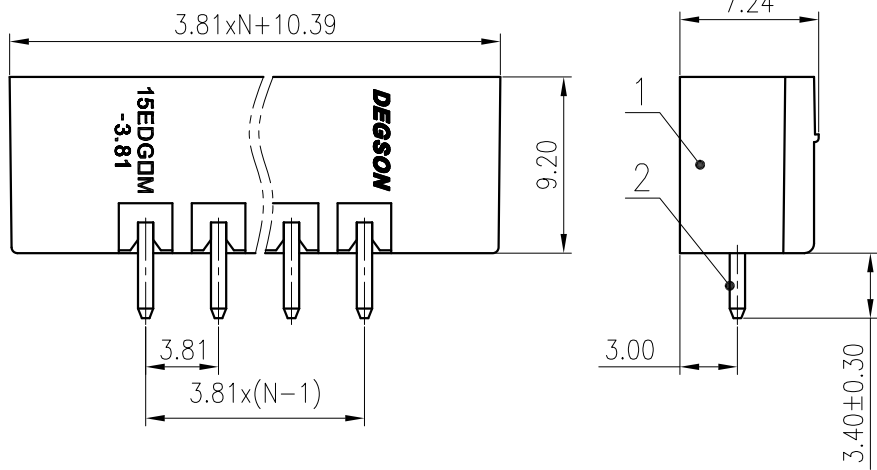
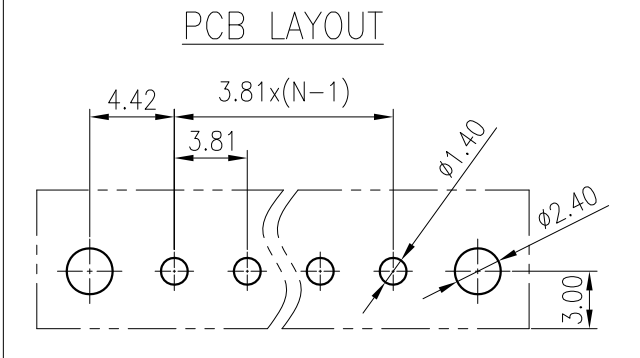


未注公差/General tolerances(mm)											0.1/10		
0	>3	>6	>10	>18	>30	>50	>80	>120	>180	>250		>315	>400
~3	~6	~10	~18	~30	~50	~80	~120	~180	~250	~315	~400	~500	~2.50
±0.12	±0.18	±0.22	±0.26	±0.31	±0.37	±0.57	±0.80	±0.93	±1.05	±1.15	±1.60	±2.20	±2.50



文 管 中 心
研 发 专 用
2020.06.02
(仅限内部使用, 对外无效)



15EDGVM-3.81-XXP-1Y-00AH
15EDGVM-3.81 - series
XXP - number of Poles (number of Pins)
1 - single-row
Y - color of housing (4 - green color)
00AH - no value

ITEM	NAME OF PART	MATERIAL	NOTES
3	Screw cap	Copper alloy	M2.5
2	Pin	Copper alloy	Sn Plated
1	Housing	PA66	UL94V-0

UL 标准/UL Standard:		B
额定电压/电流/Rated Voltage(V)/Current(A)		300/8
EC 标准/IEC Standard:		
过压类别/Overvoltage Category/污染等级/Pollution Degree		II/2
额定电压/电流/Rated Voltage(V)/Current(A)		250/7
额定脉冲电压(KV)/Rate Impulse Voltage(KV)		2.5
间距/Pitch(mm)/线数范围/Poles		3.81/N=02~24P
使用温度范围/Operating temperature(°C)		-40~+105
符合RoHS环保要求/Conform to RoHS		Yes

MATERIAL:		SURFACE:	
MAT NO.:	/	宁波高松电子有限公司 NINGBO DEGSON ELECTRICAL CO., LTD	
STATUS:	/		
APPD:	Lan ChH 2020.06.02	NAME:	
CHKD:	/	15EDGVM-3.81-XXP-1Y-00A(H)	
DRFT:	Yu JZh 2020.06.02	DRAWING NO.:	10002221
REV	ECN	DESCRIPTION	DRFT
DATE			
SIZE: A4		TYPE: CUSTOMER DRAWING	SCALE: 2.5:1
SHEET		1/1	TO

REV	ECN	DESCRIPTION	DRFT	DATE