

REVISION RECORD				
REV	ECN	DESCRIPTION	DRFT	DATE

仅供参考图
 签字: 阮永祥
 日期: 2017.03.31

NOTES1:
 UL Standard
 1. Rated voltage/current : 150V / 10A
 2. Withstanding voltage : AC1300V/1Min.

IEC Standard

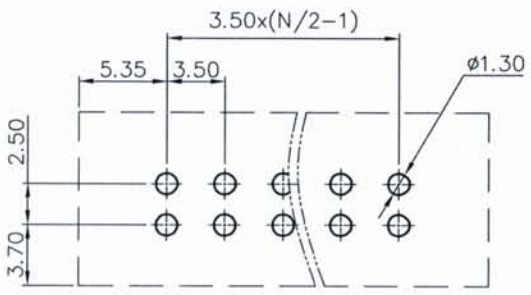
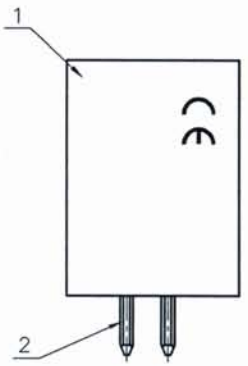
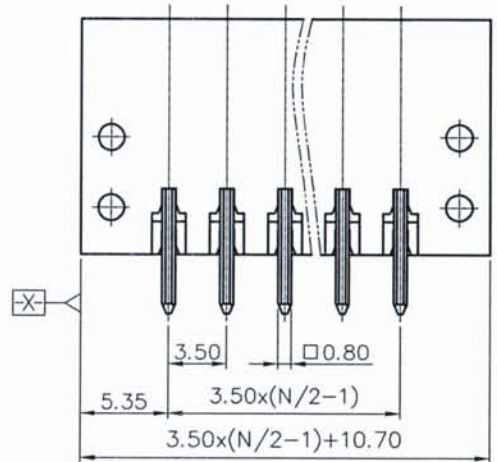
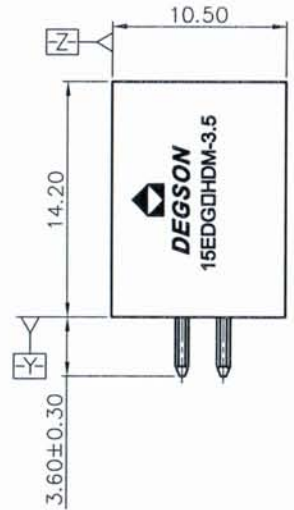
1.

Pollution degree	2	2	3
Overvoltage category	II	III	III
Rate impulse voltage(KV)	2.5KV	2.5KV	2.5KV
Rate voltage(V)	250V	125V	80V
Rate current(A)	10A		

NOTES2:
 1. Dimension shall be interpreted per ASME Y14.5-2009
 2. Pitch : 3.50mm, Poles : N=4~48P
 3. Operating temperature: -40°C~+105°C
 4. Undimensioned tolerances:

Pitch range in mm	Nominal dimension range in mm							- / 0 / +
	Over 6 TO 6	Over 10 TO 10	Over 10 TO 24	Over 30 TO 30	Over 60 TO 60	Over 100 TO 100	Over 150 TO 150	
±0.15	±0.20	±0.30	±0.30	±0.50	±0.70	±1.00	±1.30	±2*

5. RoHS Compliance



PCB LAYOUT

15EDGVHDM - 3.5 - XXP - 1Y - 00A (H)
 (Series No.) (Pitch) (Poles) (Single Pitch) (Color): 1.(Grey) 2.(Blue) 3.(Black) 4.(Green) 5.(Orange) 6.(Red) 7.(Transparent) 8.(Yellow) 9.(White)

ITEM	NAME OF PART	MATERIAL	NOTES
3	Nut	Steel	Zn plated
2	Pin	Copper alloy	Sn plated
1	Housing	PA66	UL94V-0

PART NO.: 1		宁波高松电子有限公司 NINGBO DEGSON ELECTRICAL CO., LTD	
APPD: Frank 2017.03.31	NAME: 15EDGVHDM-3.5-XXP-1Y-00A(H)	TITLE: CUSTOMER DRAWING	
CHKD: Tony 2017.03.31	DRFT: Lee 2017.03.31	DRAWING NO.: 15EDGVHDM-3.5-C01	REV: DO-1
THIRD ANGLE PROJECTION		DO NOT SCALE DRAWING	SCALE: 1:1