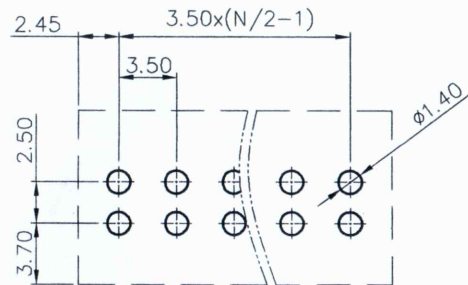
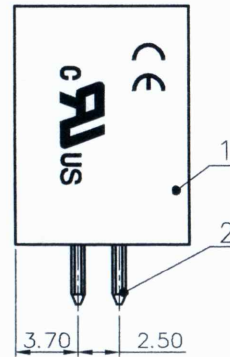
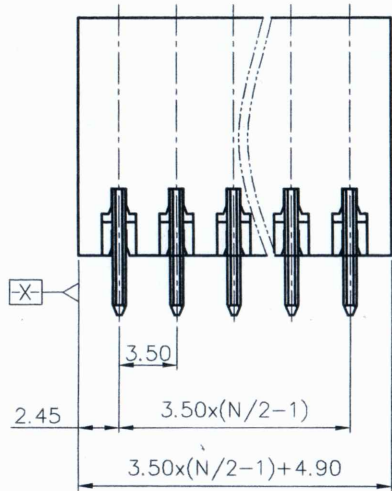
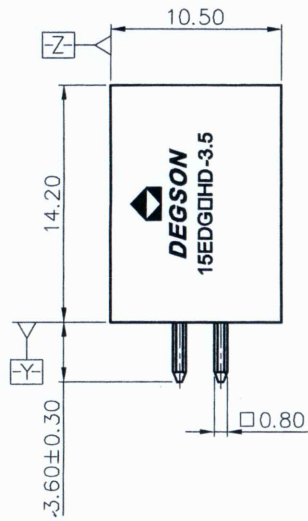
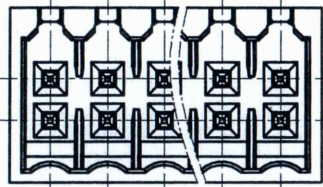


REVISION RECORD				
REV	ECN	DESCRIPTION	DRFT	DATE



PCB LAYOUT

NOTES1:

UL Standard

- Rated voltage/current : 150V / 10A
- Withstanding voltage : AC1300V/1Min.

IEC Standard

1. Pollution degree	2	2	3
Overtoltage category	II	III	III
Rate impulse voltage(KV)	2.5KV	2.5KV	2.5KV
Rate voltage(V)	250V	125V	80V
Rate current(A)	10A		

NOTES2:

- Dimension shall be interpreted per ASME Y14.5-2009
- Pitch : 3.50mm, Poles : N=04~48P
- Operating temperature: -40°C~+105°C
- Undimensioned tolerances:

Pitch range in mm		Nominal dimension range in mm						□
To	Over	To	Over	To	Over	To	Over	0.1/10
6	10	30	60	100	150			<
±0.15	±0.20	±0.30	±0.30	±0.50	±0.70	±1.00	±1.30	±2'

5.RoHS Compliance

15EDGVHD - 3.5 - XXP - 1Y - 00A (H)
 (Series No.)(Pitch) (Poles)(Single Pitch) (Color):1.(Grey)
 2.(Blue)
 3.(Black)
 4.(Green)
 5.(Orange)
 6.(Red)
 7.(Transparent)
 8.(Yellow)
 9.(White)



ITEM	NAME OF PART	MATERIAL	NOTES
2	Pin	Copper alloy	Sn Plated
1	Housing	PA66	UL94V-0

PART NO.:		宁波高松电子有限公司 NINGBO DEGSON ELECTRICAL CO., LTD		
APPD: <i>Zhuw...</i>	NAME:	15EDGVHD-3.5-XXP-1Y-00A(H)		
CHKD: <i>Jay.z 2019.6.6</i>	TITLE:	CUSTOMER DRAWING	REV	TO
DRFT: CZ 2018.06.06	DRAWING NO.:	15EDGVHD-3.5-C01	SHEET	1/1
THIRD ANGLE PROJECTION		DO NOT SCALE DRAWING	SCALE	1:1