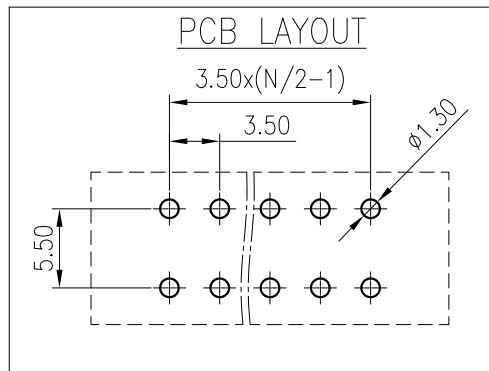
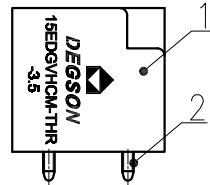
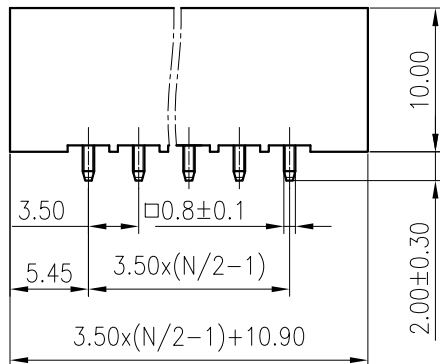
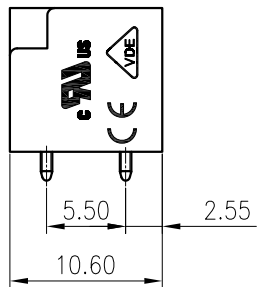
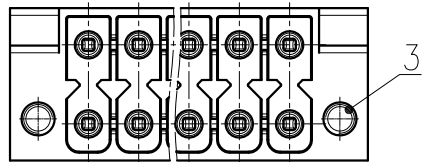


未注公差/General tolerances(mm)														
0	>3	>6	>10	>18	>30	>50	>80	>120	>180	>250	>315	>400	0.1/10 ±2°	
~3	~6	~10	~18	~30	~50	~80	~120	~180	~250	~315	~400	>500		
±0.12	±0.18	±0.22	±0.26	±0.31	±0.37	±0.57	±0.80	±0.93	±1.05	±1.15	±1.60	±2.20	±2.50	



ITEM	NAME OF PART	MATERIAL	NOTES	
3	Nut	Steel	M2/Zn Plated	
2	Pin	Copper	Sn Plated	
1	Housing	LCP	UL94V-0	
UL 标准/UL Standard:		B	C	D
额定电压/电流/Rated Voltage(V)/Current(A)		300/8	50/8	/
EC 标准/IEC Standard:				
过压类别/Overvoltage Category/污染等级/Pollution Degree		III/3	III/2	II/2
额定电压/电流/Rated Voltage(V)/Current(A)		200/9.5	250/9.5	320/9.5
额定脉冲电压(KV)/Rate Impulse Voltage(KV)		2.5	2.5	2.5
间距/Pitch(mm)/线数范围/Poles		3.5/N=04~48P		
使用温度范围/Operating temperature(°C)		-40~+130		
符合RoHS环保要求/Conform to RoHS		Yes		

MATERIAL: /	SURFACE: /		
MAT NO.: /	宁波高松电子有限公司 NINGBO DEGSON ELECTRICAL CO., LTD		
STATUS: /			
APPD:	NAME: 15EDGVHCM-THR-3.5-XXP-1Y-00A(H)		
CHKD:			
DRFT: CenMZ 2020.06.15	DRAWING NO.: 15EDGVHCM-THR-3.5-E01	REV: TO	
SIZE: A4	TYPE: CUSTOMER DRAWING	SCALE: 2:1	SHEET: 1/1

REV	ECN	DESCRIPTION	DRFT	DATE