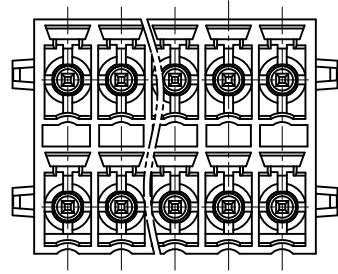
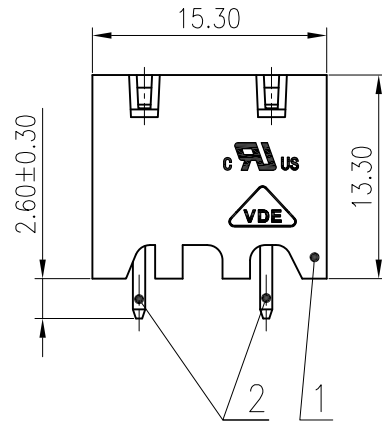
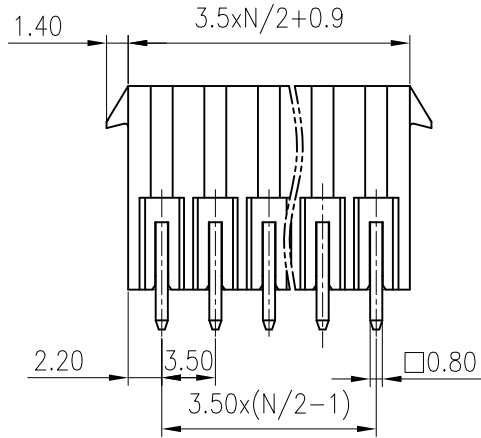
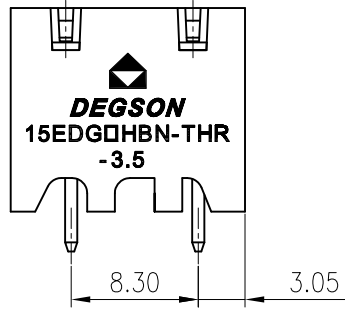


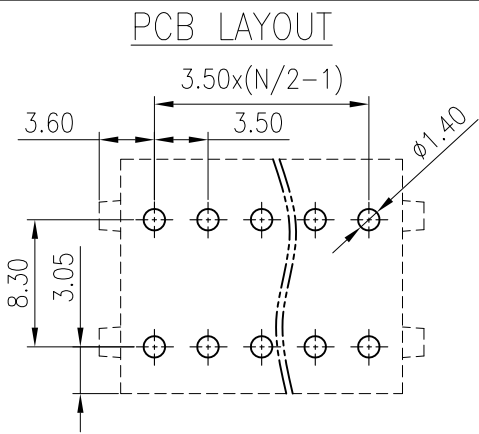
未注公差/General tolerances(mm)											0.1/10 ±0.2			
0 ~ 3	>3 ~ 6	>6 ~ 10	>10 ~ 18	>18 ~ 30	>30 ~ 50	>50 ~ 80	>80 ~ 120	>120 ~ 180	>180 ~ 250	>250 ~ 315		>315 ~ 400	>400 ~ 500	>500
±0.12	±0.18	±0.22	±0.26	±0.31	±0.37	±0.57	±0.80	±0.93	±1.05	±1.15	±1.60	±2.20	±2.50	



文 管 中 心
研 发 专 用
2020. 05. 27
(仅限内部使用, 对外无效)



2	Pin	Copper	Sn Plated
1	Housing	Thermoplastic	UL94V-0
ITEM	NAME OF PART	MATERIAL	NOTES
UL 标准/UL Standard:		B	C
额定电压/电流/Rated Voltage(V)/Current(A)		300/8	300/8
EC 标准/IEC Standard:			
过压类别/Overvoltage Category/污染等级/Pollution Degree		II/2	
额定电压/电流/Rated Voltage(V)/Current(A)		250/8	
额定脉冲电压(KV)/Rate Impulse Voltage(KV)		2.5	
间距/Pitch(mm)/线数范围/Poles		3.5/N=04~48P	
使用温度范围/Operating temperature(°C)		-40~+130	
符合RoHS环保要求/Conform to RoHS		Yes	



T1	Drawing update	ChenZh	2020.05.27
REV	ECN	DESCRIPTION	DRFT DATE

MATERIAL: /	SURFACE: /		
MAT NO.: /	宁波高松电子有限公司 NINGBO DEGSON ELECTRICAL CO., LTD		
STATUS: /			
APPD: LanChH 2020.05.27	NAME: 15EDGVHBN-THR-3.5-XXP-1Y-10A(H)		
CHKD: YuJZ 2020.05.27	DRAWING NO.: 15EDGVHBN-THR-3.5-C01		
DRFT: WL 2015.09.16	REV	T1	
SIZE: A4	TYPE: CUSTOMER DRAWING	SCALE: 2:1	SHEET 1/1