

REVISION RECORD				
REV	ECN	DESCRIPTION	DRFT	DATE

NOTES1:

UL Standard

- Rated voltage/current : 150V / 10A
- Withstanding voltage : AC1300V/1Min.

IEC Standard

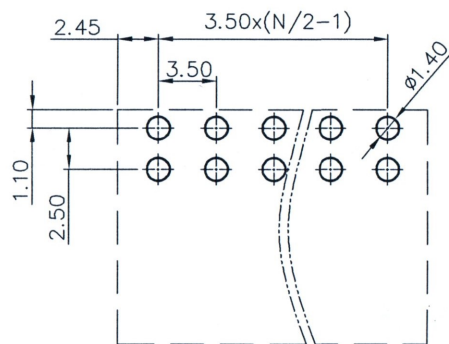
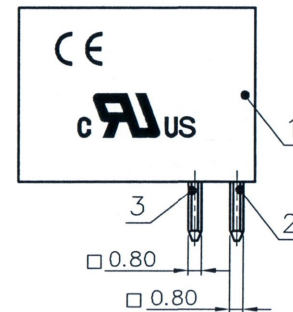
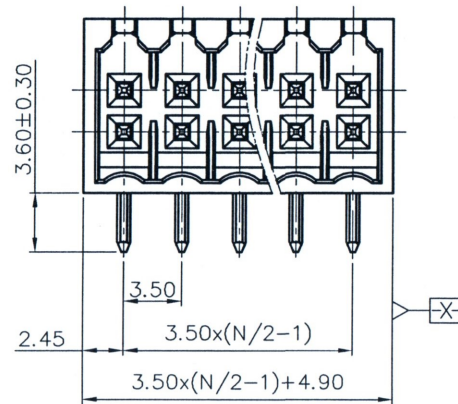
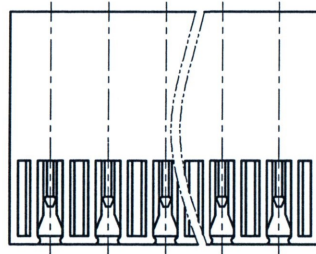
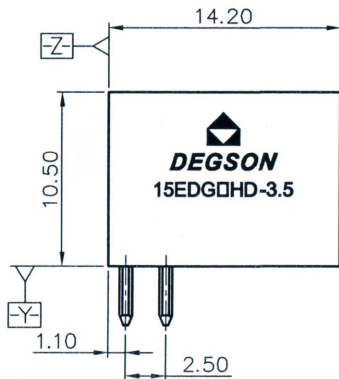
1. Pollution degree	2	2	3
Overvoltage category	II	III	III
Rate impulse voltage(KV)	2.5KV	2.5KV	2.5KV
Rate voltage(V)	250V	125V	80V
Rate current(A)	10A		

NOTES2:

- Dimension shall be interpreted per ASME Y14.5-2009
- Pitch : 3.50mm, Poles : N=04~48P
- Operating temperature: -40°C~+105°C
- Undimensioned tolerances:

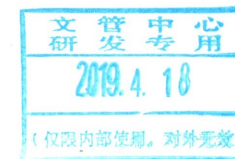
Pitch range in mm	Nominal dimension range in mm								0.1/10
	Over 6 TO 10	Over 10 TO 24	Over 30 TO 30	Over 60 TO 60	Over 100 TO 100	Over 150 TO 150	Over 150 TO 150	Over 150 TO 150	
±0.15	±0.20	±0.30	±0.30	±0.50	±0.70	±1.00	±1.30	±2'	

5.RoHS Compliance



PCB LAYOUT

15EDGRHD - 3.5 - XXP - 1Y - 00A (H)
 (Series No.) (Pitch) (Poles) (Single Pitch) (Color): 1.(Grey)
 2.(Blue)
 3.(Black)
 4.(Green)
 5.(Orange)
 6.(Red)
 7.(Transparent)
 8.(Yellow)
 9.(White)



ITEM	NAME OF PART	MATERIAL	NOTES
3	Pin 2	Copper	Sn Plated
2	Pin 1	Copper	Sn Plated
1	Housing	PA66	UL94V-0

PART NO.: /	宁波高松电子有限公司 NINGBO DEGSON ELECTRICAL CO., LTD		
APPD:	NAME: 15EDGRHD-3.5-XXP-1Y-00A(H)		
CHKD: Jay 2019.4.18	DRFT: CZ 2018.09.14		TITLE: CUSTOMER DRAWING
THIRD ANGLE PROJECTION		REV: 1	TO: 1/1
DRAWING NO.: 15EDGRHD-3.5-C01		SHEET: 1/1	SCALE: 1:1
MM (INCH)		DO NOT SCALE DRAWING	SCALE: 1:1