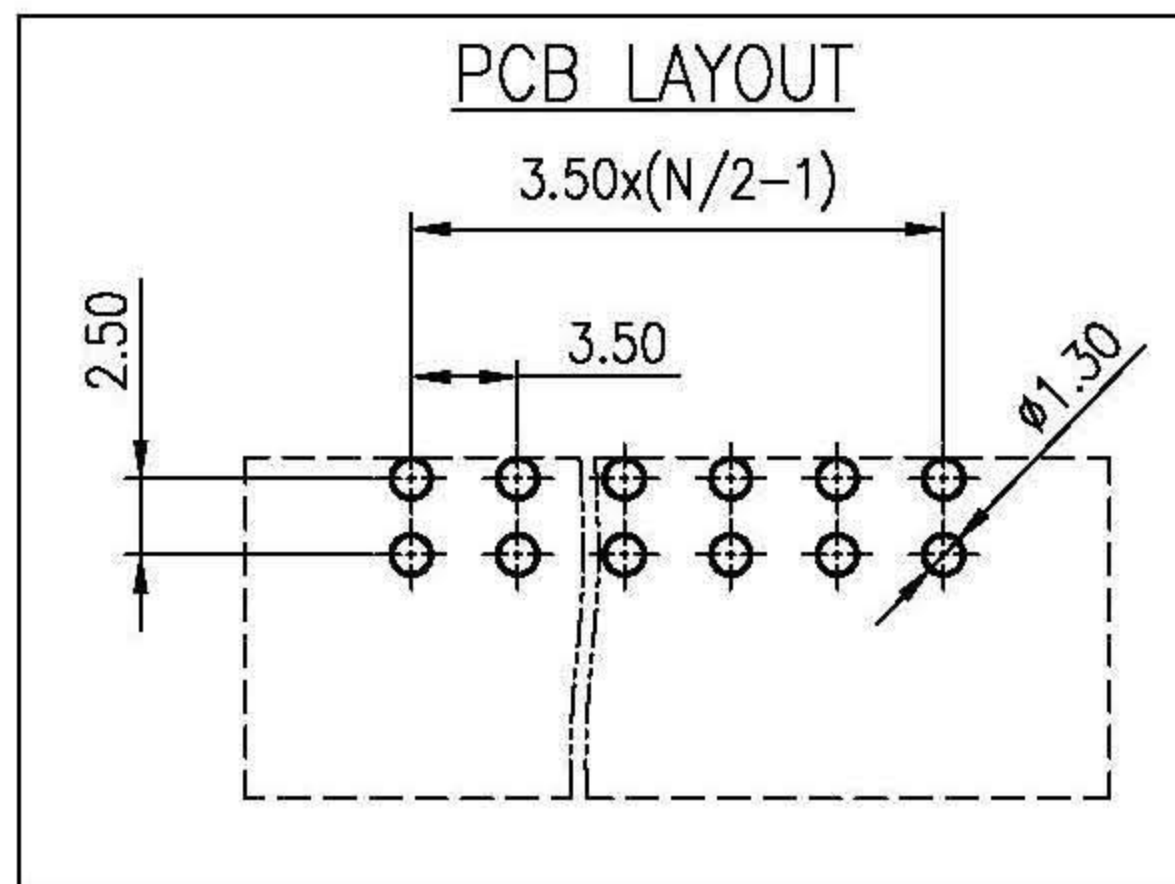
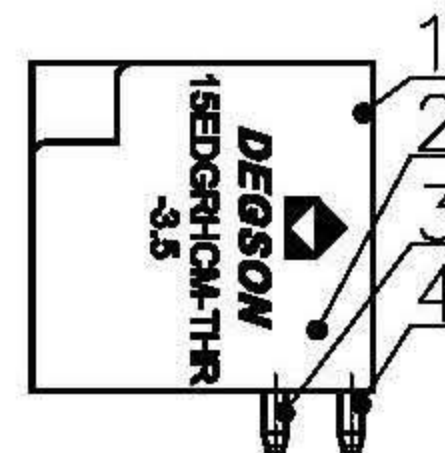
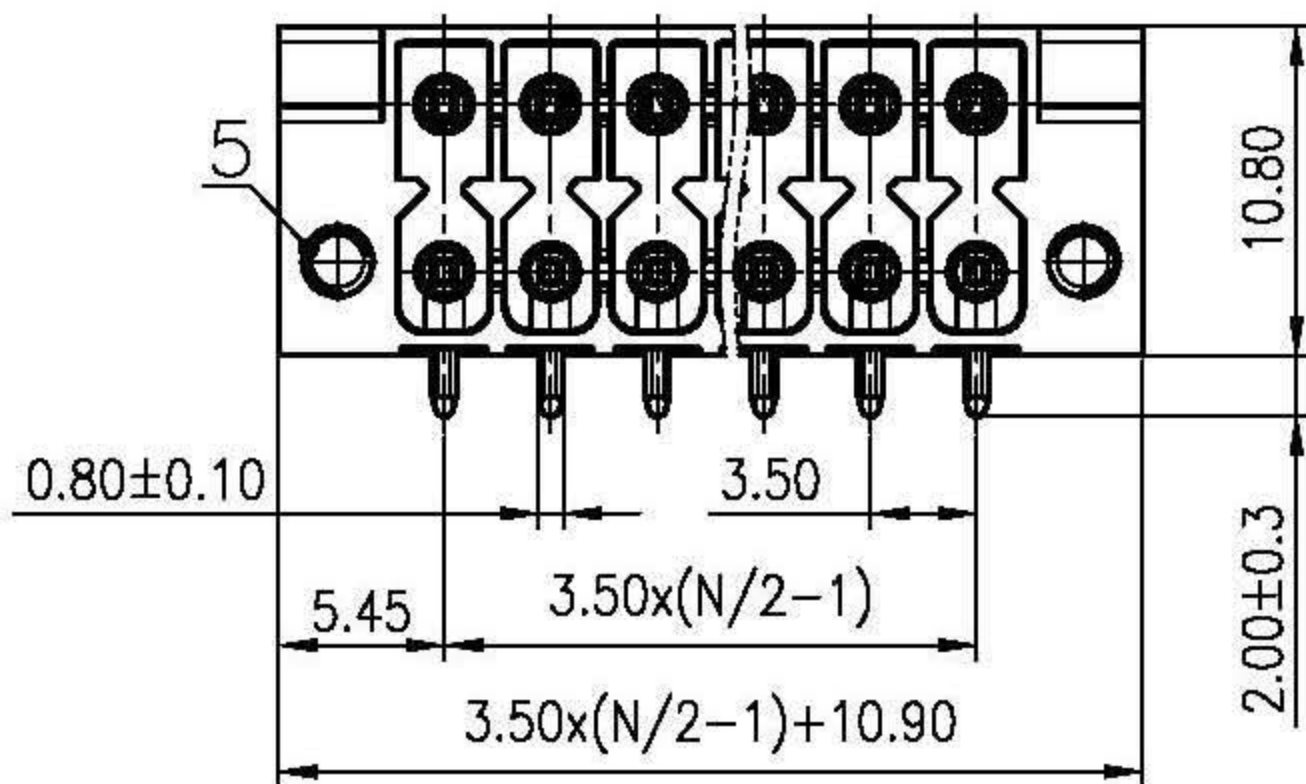
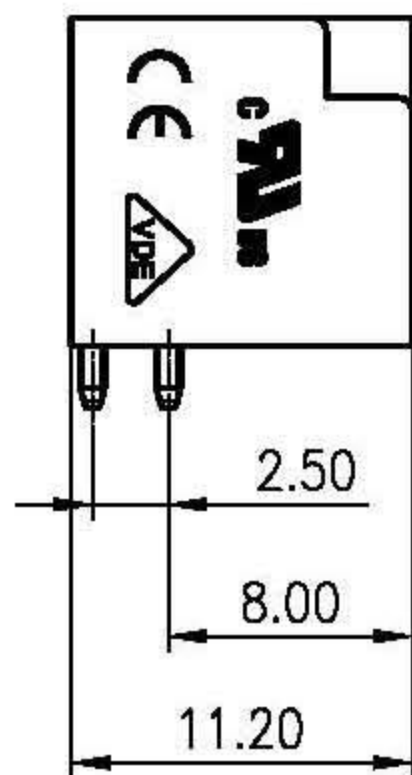
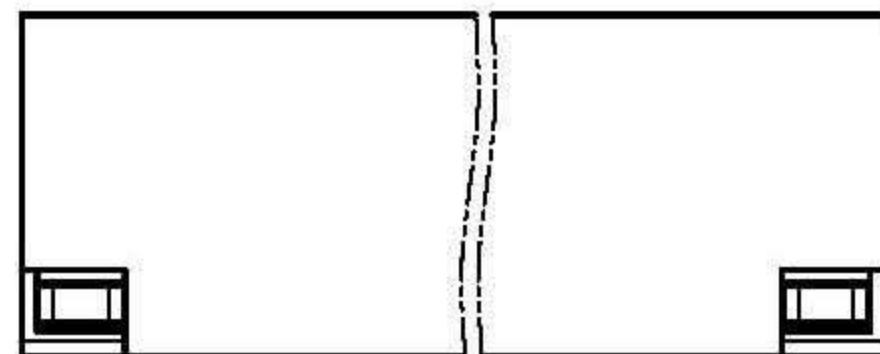


未注公差/General tolerances(mm)													0.1/10	
0 ~ 3	>3 ~ 6	>6 ~ 10	>10 ~ 18	>18 ~ 30	>30 ~ 50	>50 ~ 80	>80 ~ 120	>120 ~ 180	>180 ~ 250	>250 ~ 315	>315 ~ 400	>400 ~ 500		>500
±0.12	±0.18	±0.22	±0.26	±0.31	±0.37	±0.57	±0.80	±0.93	±1.05	±1.15	±1.60	±2.20	±2.50	±2'



5	Nut	Steel	M2/Zn Plated
4	Long Pin	Copper	Sn Plated
3	Short Pin	Copper	Sn Plated
2	Patch	LCP	UL94V-0
1	Housing	LCP	UL94V-0

ITEM	NAME OF PART	MATERIAL	NOTES
UL 标准/UL Standard:		B	C
额定电压/电流/Rated Voltage(V)/Current(A)		150/8	50/8
IEC 标准/IEC Standard:			
过压类别/Overvoltage Category/污染等级/Pollution Degree		III/3	III/2
额定电压/电流/Rated Voltage(V)/Current(A)		200/9.5	250/9.5
额定脉冲电压(kV)/Rate Impulse Voltage(kV)		2.5	2.5
间距/Pitch(mm)/线数范围/Poles		3.5/N=04~48P	
使用温度范围/Operating temperature(°C)		-40~+130	
符合RoHS环保要求/Conform to RoHS		Yes	

MATERIAL: /	SURFACE: /		
MAT NO.: Series 15EDGRHCM-THR-3.5	宁波高松电子有限公司 Ningbo Degson Electrical Co., Ltd.		
STATUS: /			
APPD:	NAME: 15EDGRHCM-THR-3.5-XXP-1Y-00A(H)		
CHKD:			
DRFT: CenMZ 2020.06.16	DRAWING NO. 15EDGRHCM-THR-3.5-C01	REV	TO
⊕	SIZE: A4	TYPE: CUSTOMER DRAWING	SCALE: 2:1
		SHEET	1/1

REV	ECN	DESCRIPTION	DRFT	DATE