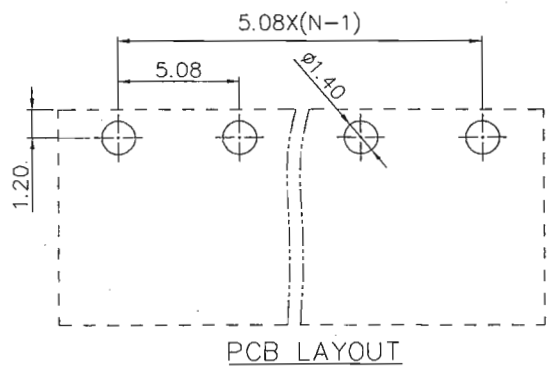
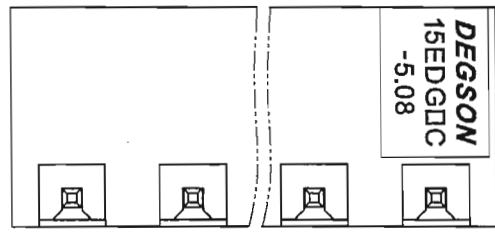
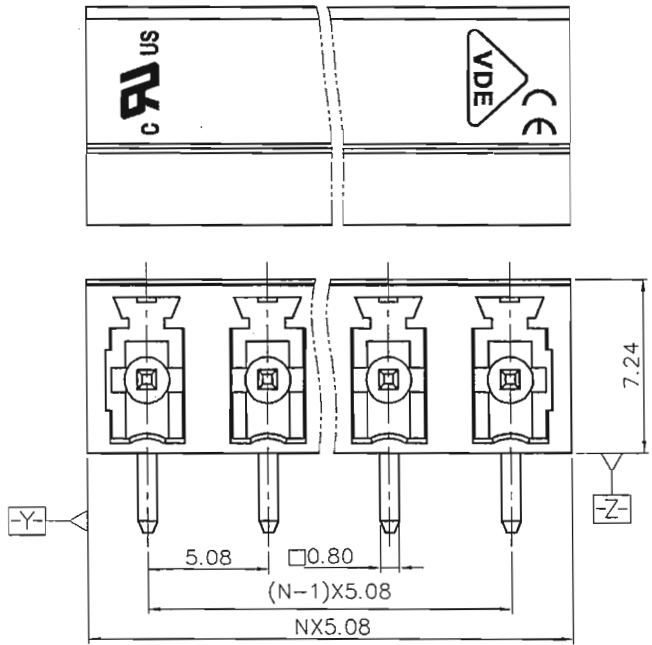
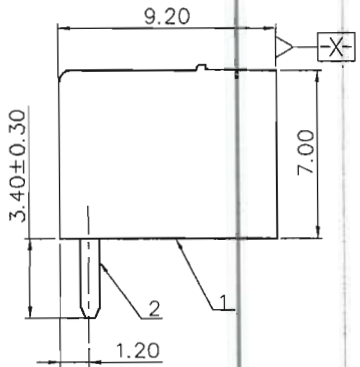


| REVISION RECORD | | | | |
|-----------------|-----|-------------|------|------|
| REV | ECN | DESCRIPTION | DRFT | DATE |



NOTES1:

- UL Standard
- 1. Rated Voltage/Current : 300V / 8A
- 2. Withstanding Voltage : AC1600V/1Min.

IEC Standard

| | |
|--------------------------|-----|
| 1. Pollution Degree | 2 |
| Overvoltage Category | II |
| Rate Impulse Voltage(KV) | 4.0 |
| Rate Voltage(V) | 450 |
| Rate Current(A) | 7 |

NOTES2:

- 1. Dimension shall be interpreted per ASME Y14.5-2009
- 2. Pitch : 5.08mm, Poles : N=02~12P
- 3. Operating temperature : -40°C~+105°C
- 4. Undimensioned Tolerances:

| Pitch Range In mm | Nominal Dimension Range In mm | | | | | | 0.1/10 | | |
|-------------------|-------------------------------|---------------|---------------|----------------|-----------------|----------|--------|-------|-----|
| TO | Over 6 TO 10 | Over 10 TO 24 | Over 30 TO 60 | Over 60 TO 100 | Over 100 TO 150 | Over 150 | | | |
| 6 | ±0.15 | ±0.25 | ±0.20 | ±0.30 | ±0.50 | ±0.70 | ±1.00 | ±1.30 | ±2' |

5. RoHS Compliance



| 2 | 15EDGR-FIN(0.8*12.6R) | COPPER ALLOY | Sn Plated |
|------|-----------------------|--------------|-----------|
| 1 | 15EDGRC-5.08-HOUSING | PA66 | UL94V-0 |
| ITEM | NAME OF PART | MATERIAL | NOTES |

DEGSON 宁波高松电子有限公司
NINGBO DEGSON ELECTRICAL CO., LTD

PART NO.: /

NAME: 15EDGRC-5.08-XXP-1Y-00A(H)

APPD: *Aaron P/L 15*

CHKD: *XLM 8/24/15*

DRFT: HZD 08/24/15"

TITLE: CUSTOMER DRAWING

DRAWING NO.: 15EDGRC-5.08-C01

THIRD ANGLE PROJECTION

DO NOT SCALE DRAWING

REV TO

SHEET 1/1

SCALE 1:1