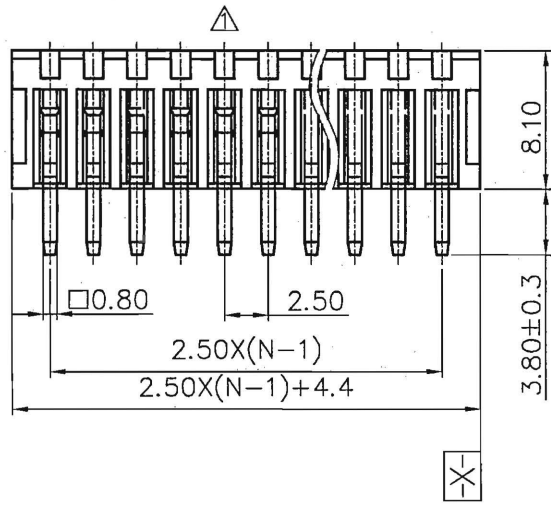


REVISION RECORD				
REV	ECN	DESCRIPTION	DRFT	DATE
△	10-0286	修改外观	JNHALLAN	08/31/10
△	10-0357	增加VDE、CE刻字及修改参数	ZXX	10/21/10
△	15-0287	增加自动化料, 手工料由8.3X8.1mm改成8.1x8.1mm	HHJ	07/17/15

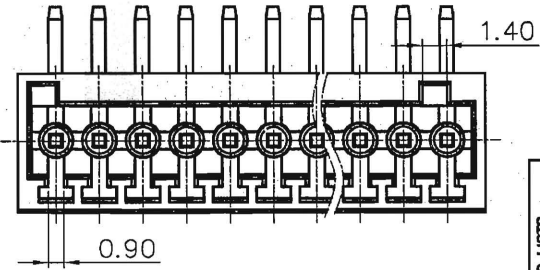
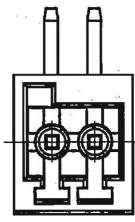
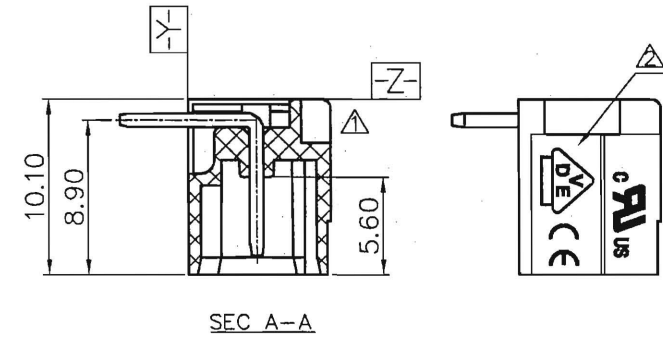
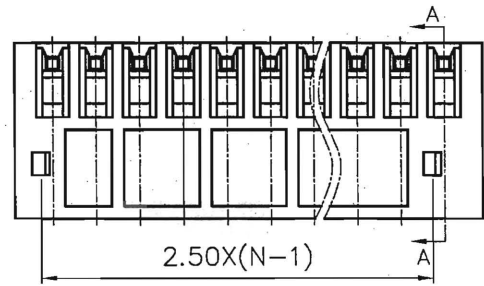
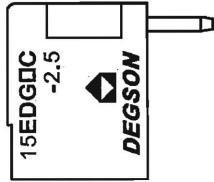
管中心  
研发专用  
2015.07.30

(仅限内部使用, 对外无效)



- NOTES:  
 1. PITCH: 2.5, POLES: 2-12P  
 2. RATED VOLTAGE/CURRENT: UL 150V/4A  
 VDE 250V/5A  
 3. OPERATION TEMPERATURES: -40°C+105°C  
 4. RATED IMPULSE VOLTAGE: 2.5KV  
 5. UNDIMENSIONED TOLERANCES:

PITCH RANGE IN MM		NOMINAL DIMENSION RANGE IN MM						-	
TO	OVER	TO	OVER	TO	OVER	TO	OVER	TO	OVER
6	10	6	10	30	60	100	150	150	150
10	24	30	60	100	150	150	150	150	150
±0.10	±0.15	±0.25	±0.20	±0.30	±0.50	±0.70	±1.00	0.05/10	



ITEM	NAME OF PART	NO. OF PART	QTY	MATERIAL	NOTES
2	15EDGRC-2.5(8.1*8.1) AUTOMATIC ASSEMBLY	1218B00040(H)	XX	BRASS	SN PLATED
2	15EDGRC HEADER MANUAL ASSEMBLY	1218B00010(H)	XX	BRASS	SN PLATED
1	15EDGV/RC HOUSING	1218AYYXA(H)	1	PA66	UL94V-0

TOLERANCES EXCEPT AS NOTED		MATERIAL:		NINGBO DEGSON ELECTRICAL CO., LTD	
.X ±	.X' ±	FINISH:	PART NO.:	NAME:	
.XX ±	.XX' ±		Series 15EDGRC-2.5	15EDGRC-2.5-XXP-1Y-00A(H)	
.XXX ±	.XXX' ±			TITLE: ASSEMBLY DRAWING	
ANGLES ± 1°		APPD: Aaron 7/18/15	DRAWING NO.: 15EDGRC-2.5-E01		REV T3
THIRD ANGLE PROJECTION		CHKD: Xlm 7/18/15	DO NOT SCALE DRAWING		SHEET 1/1
		DRFT: LIN 10/20/08	SCALE	N/A	