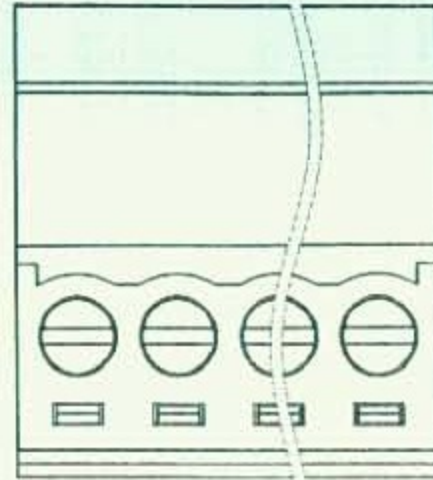


REVISION RECORD					
REV	ECN	DESCRIPTION	DRFT	DATE	
△	09-0135	增加UL刻字及UL参数	GHY	12-06-09	



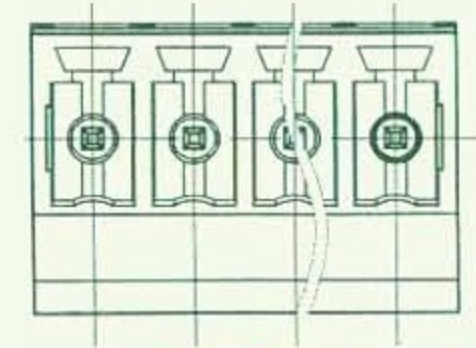
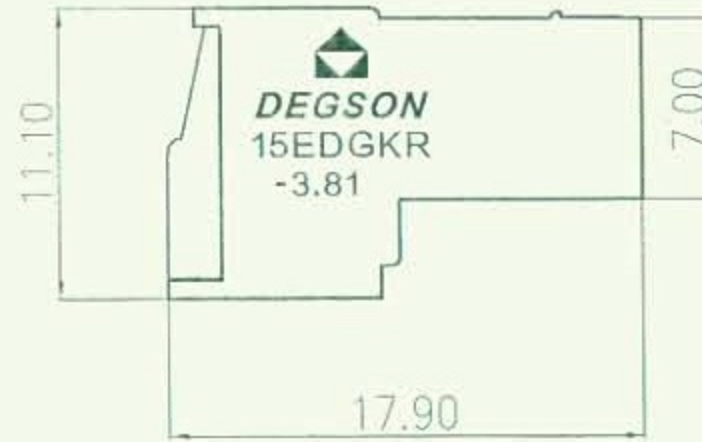
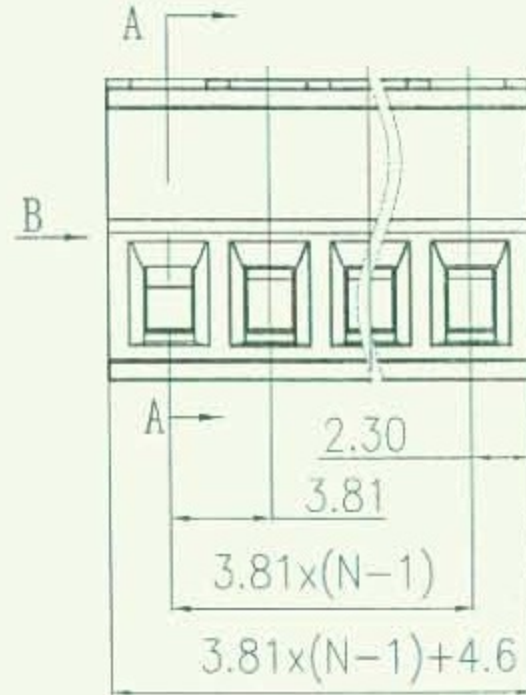
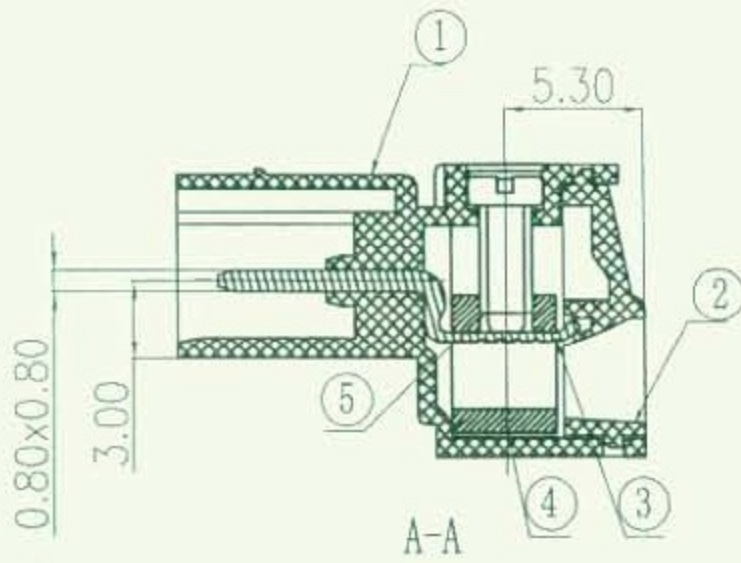
B 向



Notes:

1. Pitch: 3.81mm poles: 2-16P
2. Rated voltage/current: UL 300V/8A △
IEC 160V/8A
3. Insulation resistance: 5000MΩ/DC1000V
4. Withstanding voltage: AC2000V/1Min
5. Wire range: 28-16AWG 1.5mm²
6. Temp. Range: -40° C~+105° C
7. Undimensioned Tolerances:

Pitch range in mm			Nominal dimension range in mm				
to	over	to	to	over	over	over	
6	6	10	6	30	90	200	∩
6	10	24	6	30	90	200	∇
±0.10	±0.15	±0.25	±0.1	±0.2	±0.3	±0.5	±0.7



3	15EDGKR-Pin	1215B00010 (H)	XX	Copper	SnCe plated
2	15EDGK-3.81-Cover	1010C0YXXA (H)	1	PA66	UL94V-0
1	15EDGKR-3.81-Housing	1215A0YXXA (H)	1	PA66	UL94V-0
ITEM	NAME OF PART	NO. OF PART	Q'TY	MATERIAL	NOTES

MM (INCH)	DFTO Zhuwm	DATE 12/14/07	宁波高正电子有限公司 Ningbo Degson Electrical Co., Ltd.
TOLERANCES EXCEPT AS NOTED	CHKD WY	DATE 12/18/07	
	MFO	DATE	
MM	APPVL Heng	DATE 12/18/07	NAME
.0 ±			15EDGKR-3.81-XXP-1Y-00A (H)
.00 ±			
.000 ±			
ANGLES ± 1°	G.E :		DRAWING NO. 15EDGKR-3.81-E01
THIRD ANGLE PROJECTION	FINISH :		/PART NO.
	SCALE : 1:1		DO NOT SCALE DRAWING
			SHEET 1 OF 1

5	15EDG- "Screws	S000001360 (H)	XX	Steel	C ₂₇ Zn
4	15EDG-3brass cage	X000000010 (H)	XX	Brass	Ni plated