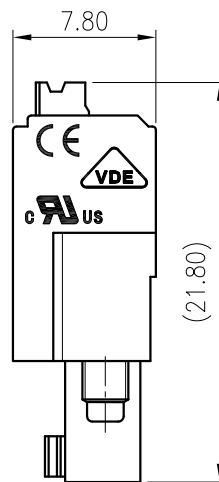
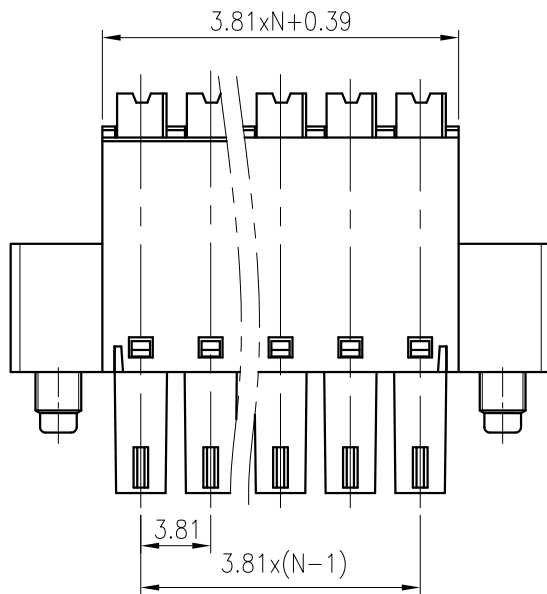
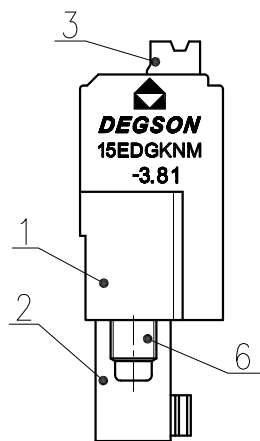
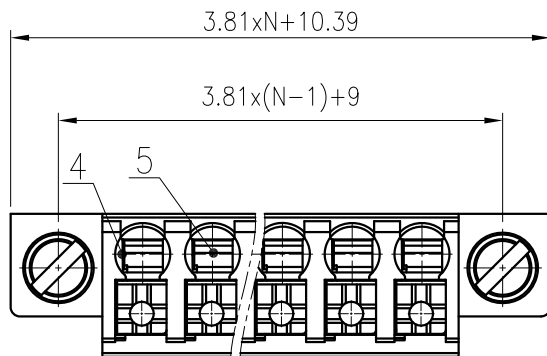


未注公差/General tolerances(mm)												0.1/10	
0	>3	>6	>10	>18	>30	>50	>80	>120	>180	>250	>315		>400
~3	~6	~10	~18	~30	~50	~80	~120	~180	~250	~315	~400	~500	~2.50
±0.12	±0.18	±0.22	±0.26	±0.31	±0.37	±0.57	±0.80	±0.93	±1.05	±1.15	±1.60	±2.20	±2.50



6	Screw	Steel	M2.5/Zn Plated
5	Spring	Stainless Steel	/
4	Clamp	Copper Alloy	Sn Plated
3	Button	PA66	UL94V-0
2	Cover	PA66	UL94V-0
1	Housing	PA66	UL94V-0

ITEM	NAME OF PART	MATERIAL	NOTES
UL 标准/UL Standard:		B	C
额定电压/电流/Rated Voltage(V)/Current(A)		300/8	/ 300/8
IEC 标准/IEC Standard:			
过压类别/Overvoltage Category/污染等级/Pollution Degree		III/3	III/2 II/2
额定电压/电流/Rated Voltage(V)/Current(A)		160/8	160/8 250/8
额定脉冲电压(KV)/Rate Impulse Voltage(KV)		2.5	2.5 2.5
线径范围(硬线和软线)/Wire Range(rigid and flexible)(mm ² /AWG)		0.2~1.0/28~16	
间距/Pitch(mm)/线数范围/Poles		3.81/N=02~24P	
剥线长度/Stripping length(mm)		10	
使用温度范围/Operating temperature(°C)		-40~+105	
符合RoHS环保要求/Conform to RoHS		Yes	

MATERIAL:		SURFACE:	
MAT NO.:		宁波高松电子有限公司 NINGBO DEGSON ELECTRICAL CO., LTD	
STATUS: /			
APPD: LanChH 2020.09.28		NAME: 15EDGKNM-3.81-XXP-1Y-1000A(H)	
CHKD:GongYZh 2020.09.28		DRAWING NO.: 15EDGKNM-3.81-C02	
DRFT: Dong 2016.02.26		REV	TO
SIZE: A4 $\leftarrow \frac{mm}{inch} \rightarrow$		TYPE: CUSTOMER DRAWING	SCALE: 2.5:1 SHEET 1/1

REV	ECN	DESCRIPTION	DRFT	DATE

Transfer or duplication of this document as well as the utilization or communication of its contents are prohibited unless explicit authorization is granted. Violations will be liable for compensation. All rights reserved for patent, utility, model or designs registrations. 除非经给予明确授权,否则禁止转让、复制、利用、交易本文件的内容。未经许可,严禁复制或传播。 实用新型和外观设计的所有权利。