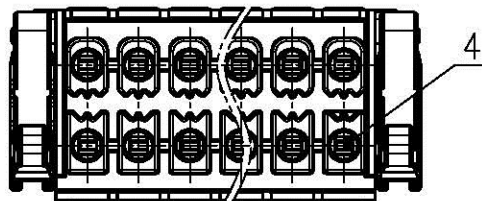
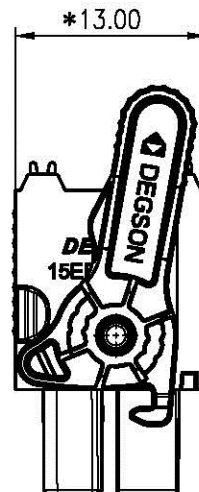
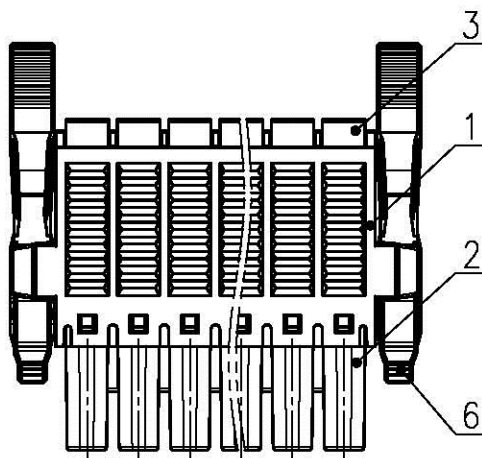
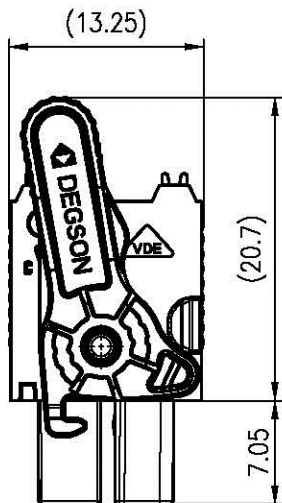
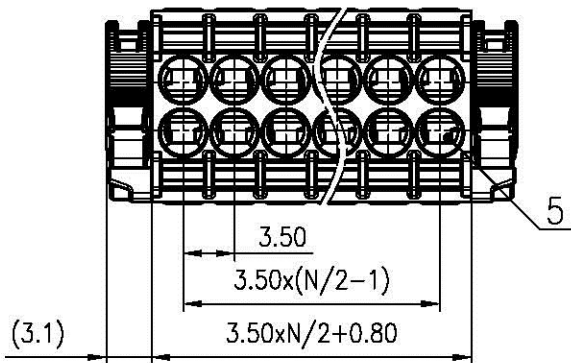


未注公差/General tolerances(mm)											0.1/10		
0	>3	>6	>10	>18	>30	>50	>80	>120	>180	>250		>315	>400
~3	~6	~10	~18	~30	~50	~80	~120	~180	~250	~315	~400	~500	
±0.12	±0.18	±0.22	±0.26	±0.31	±0.37	±0.57	±0.80	±0.93	±1.05	±1.15	±1.60	±2.20	±2.50



6	Card hook	PA66-GF	UL94V-0
5	Spring	Stainless steel	
4	Clamp	Copper alloy	Sn Plated
3	Button	POM	UL94HB
2	Cover	PA66	UL94V-0
1	Housing	PA66	UL94V-0

ITEM	NAME OF PART	MATERIAL	NOTES
JL 标准/UL Standard:		B	C
额定电压/电流/Rated Voltage(V)/Current(A)		300/8	50/8
EC 标准/IEC Standard:			
过压类别/Overvoltage Category/污染等级/Pollution Degree		III/3	III/2
额定电压/电流/Rated Voltage(V)/Current(A)		200/9.5	250/9.5
额定脉冲电压(KV)/Rate Impulse Voltage(KV)		2.5	2.5
线径范围(硬线和软线)/Wire Range(rigid and Flexible)(AWG/mm ²)		26~16/0.2~1.5	
间距/Pitch(mm)/线数范围/Poles		3.50/N=04~48P	
剥线长度/Stripping length(mm)		10	
使用温度范围/Operating temperature(°C)		-40~+105	
符合RoHS环保要求/Conform to RoHS		Yes	

MATERIAL:		SURFACE:	
MAT NO.: Series 15EDGKNHG-3.5	宁波高松电子有限公司 Ningbo Degson Electrical Co., Ltd.		
STATUS: /	NAME: 15EDGKNHG-3.5-XXP-1Y-00A(H)		
APPD: Lan ChH 2021.11.03	DRAWING NO.: 15EDGKNHG-3.5-C01		
CHKD: /	REV		TO
DRFT: Yu JZh 2021.11.03	TYPE: CUSTOMER DRAWING		SCALE: 2:1 SHEET 1/1

REV	ECN	DESCRIPTION	DRFT	DATE

Transfer or duplication of this document as well as the utilization or communication of its contents are prohibited unless explicit authorization is granted. Violations will be liable for compensation. All rights reserved for patent, utility, model or designs, registrations, trademarks and other intellectual property rights. 未经授权，不得复制或传播本文件内容。未经许可，不得复制或传播本文件内容。本公司保留所有权利。