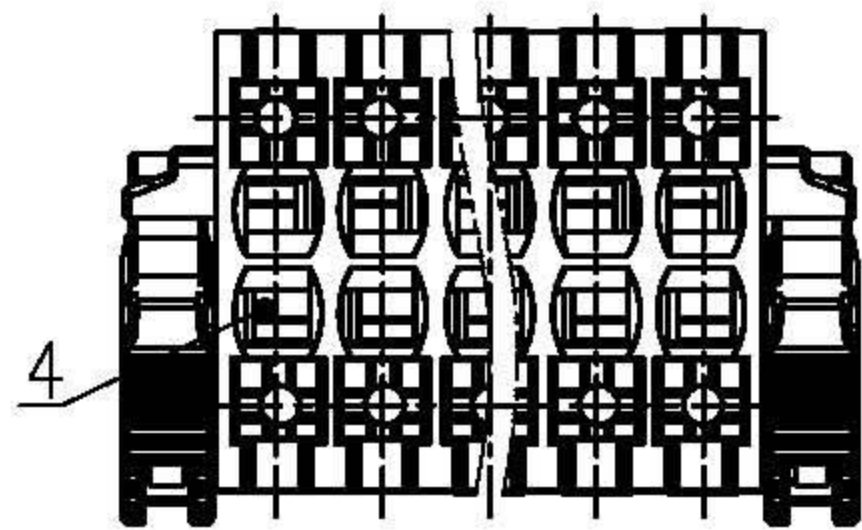
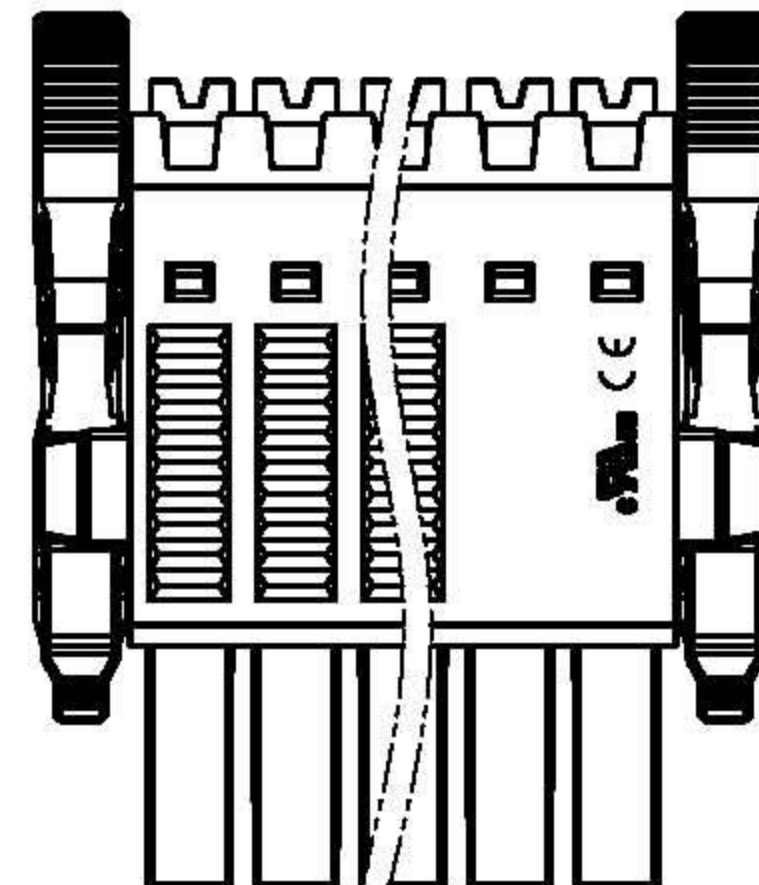
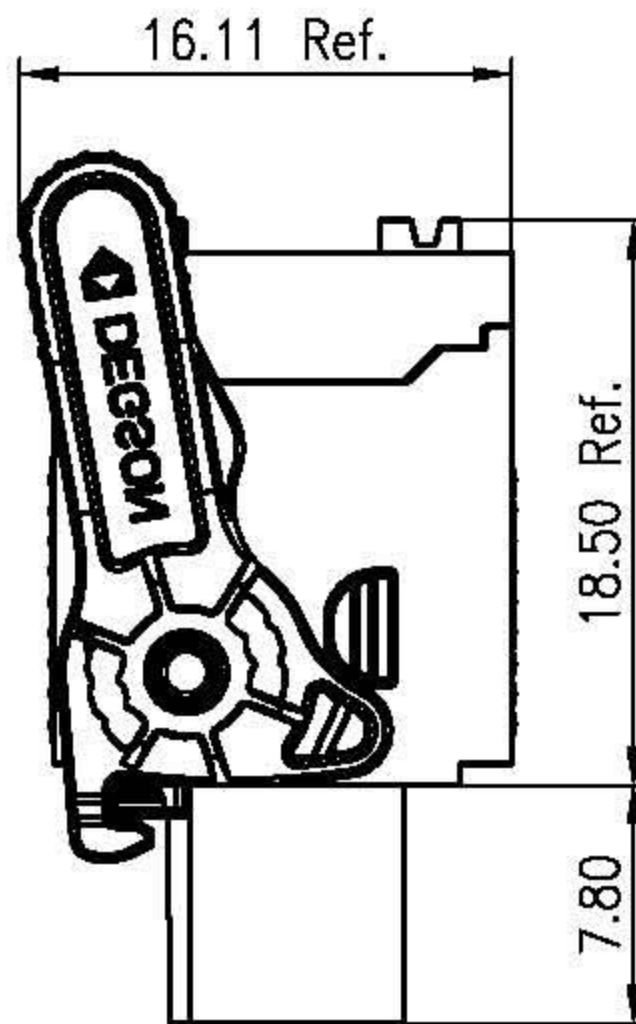
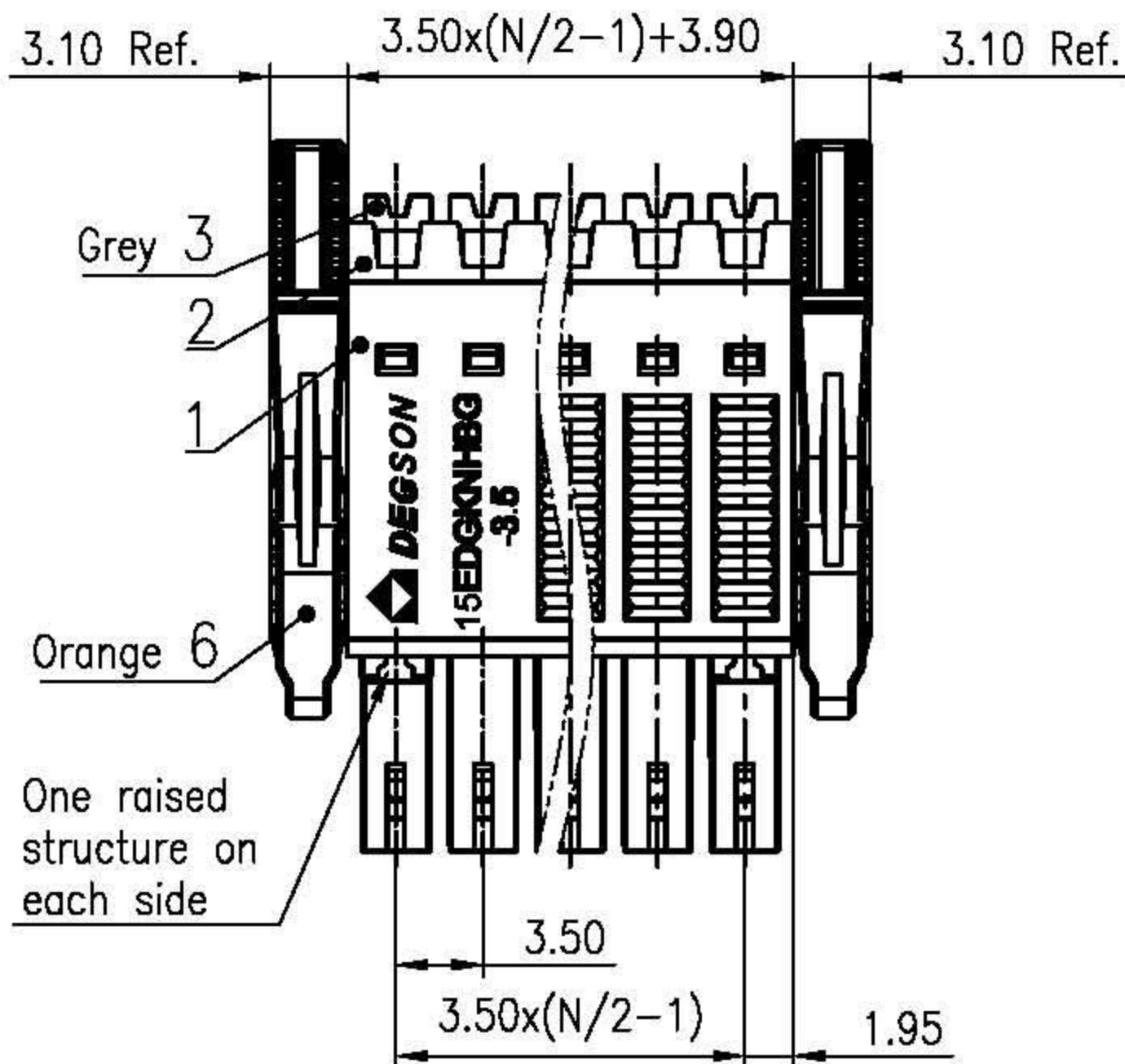
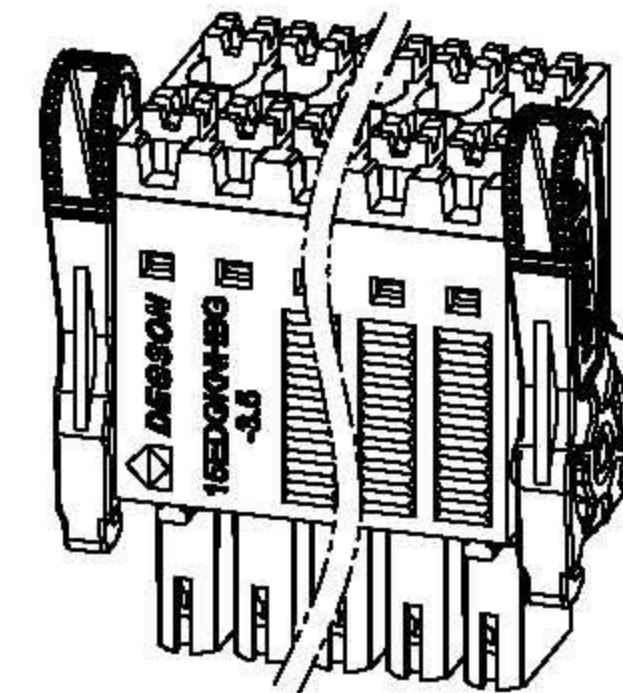


| 未注公差/General tolerances(mm) |       |       |       |       |       |       |       |       |       |       |       | 0.1/10 |       |      |
|-----------------------------|-------|-------|-------|-------|-------|-------|-------|-------|-------|-------|-------|--------|-------|------|
| 0                           | >3    | >6    | >10   | >18   | >30   | >50   | >80   | >120  | >180  | >250  | >315  |        | >400  | >500 |
| ±0.12                       | ±0.18 | ±0.22 | ±0.26 | ±0.31 | ±0.37 | ±0.57 | ±0.80 | ±0.93 | ±1.05 | ±1.15 | ±1.60 | ±2.20  | ±2.50 | ±Z   |

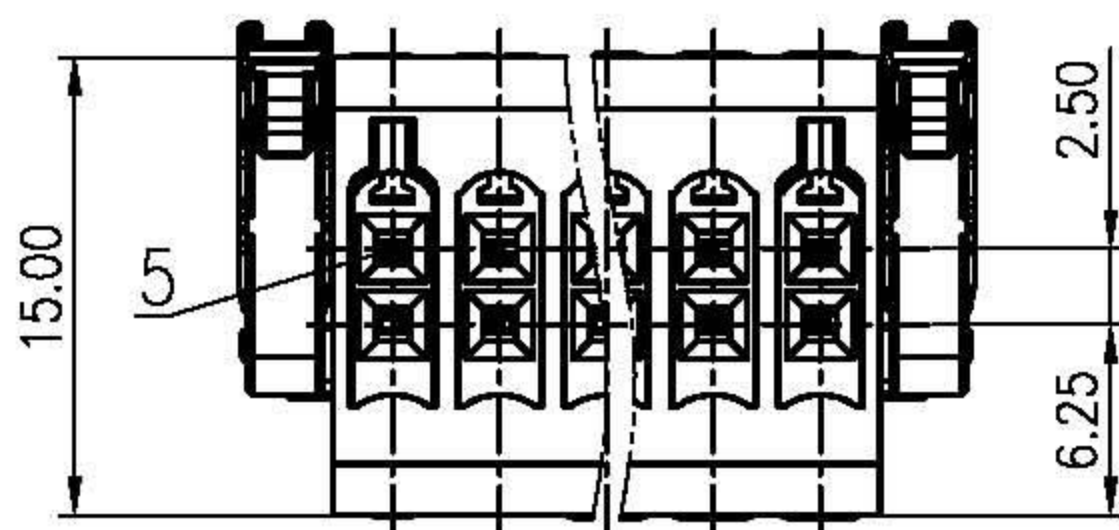


please refer to the 3D model, for those unmarked dimensions



| ITEM | PART NAME | MATERIAL        | NOTES     |
|------|-----------|-----------------|-----------|
| 6    | Handle    | PA66+GF%        | UL94V-0   |
| 5    | Clamp     | Copper alloy    | Sn Plated |
| 4    | Spring    | Stainless steel | /         |
| 3    | Button    | PA66+GF%        | UL94V-0   |
| 2    | Cover     | PA66+GF%        | UL94V-0   |
| 1    | Housing   | PA66+GF%        | UL94V-0   |

| JL 标准/UL Standard:   | B             | C        | D        |
|--|---------------|----------|----------|
| 额定电压/电流/Rated Voltage(V)/Current(A)                              | 300/10        | 50/10    | 300/10   |
| EC 标准/IEC Standard:  |               |          |          |
| 过压类别/Overvoltage Category/污染等级/Pollution Degree                  | III/3         | III/2    | II/2     |
| 额定电压/电流/Rated Voltage(V)/Current(A)                              | 160/13.4      | 160/13.4 | 320/13.4 |
| 额定脉冲电压(KV)/Rate Impulse Voltage(KV)                              | 2.5           | 2.5      | 2.5      |
| 线径范围(硬线和软线)/Wire Range(rigid and Flexible)(mm <sup>2</sup> /AWG) | 0.2~1.5/28~16 |          |          |
| 间距/Pitch(mm)/线数范围/Poles  | 3.50/N=04~48P |          |          |
| 剥线长度/Stripping length(mm)  | 10~11         |          |          |
| 使用温度范围/Operating temperature(°C)                                 | -40~+105      |          |          |
| 符合RoHS环保要求/Conform to RoHS                                       | Yes           |          |          |



|                                |   |            |           |
|--------------------------------|---|------------|-----------|
| MATERIAL: /                    | SURFACE: /  |            |           |
| MAT NO.: Series 15EDGKNHBG-3.5 | <b>宁波高松电子有限公司</b><br>Ningbo Degson Electrical Co., Ltd. |            |           |
| STATUS: /                      |   |            |           |
| APPD: Li GL 2021.03.18         | NAME: 15EDGKNHBG-3.5-XXP-1Y-100A(H)                     |            |           |
| CHKD: Ma EK 2021.03.18         | DRAWING NO.: 15EDGKNHBG-3.5-C02                         |            |           |
| DRFT: HuangSh 2021.03.18       | REV   | TO         |           |
| ⊕                              | SIZE: A4  | SCALE: 2:1 | SHEET 1/1 |

| REV | ECN | DESCRIPTION | DRFT | DATE |
|-----|-----|-------------|------|------|
|     |     |             |      |      |

Transfer or duplication of this document as well as the utilization or communication of its contents are prohibited unless explicit authorization is granted. Violations will be liable for compensation. All rights reserved for patent, utility model or designs registrations. 除非获得明确授权，否则禁止转让、复制、利用、交流本文件的内容。任何未经授权的使用或传播都将承担法律责任。