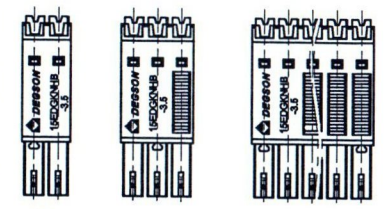
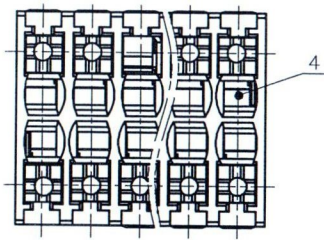


REVISION RECORD

REV	ECN	DESCRIPTION	DRFT	DATE
00-2		Through UL standard	HS	2018.03.26



4P 6P 8P and 10P  
raised structure position

NOTES1:

- ① UL Standard
- 1. Rated voltage/current : 300V / 10A
- 2. Withstanding voltage : AC1600V/1Min.
- 3. Wire range : 28~16AWG

IEC Standard

1.	Pollution degree	2	2	3
	Overvoltage category	II	III	III
	Rate impulse voltage(KV)	2.5KV	2.5KV	2.5KV
	Rate voltage(V)	320V	160V	160V
	Rate current(A)	13.4A		

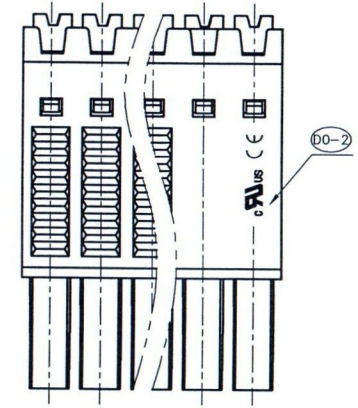
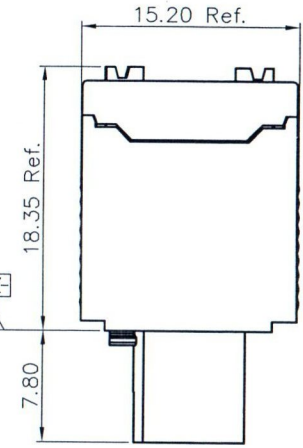
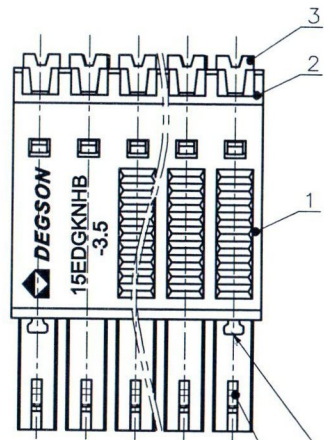
- 2. Wire range : 0.2~1.5mm<sup>2</sup>

NOTES2:

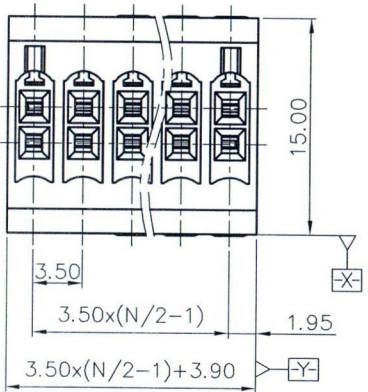
- 1. Dimension shall be interpreted per ASME Y14.5-2009
- 2. Pitch : 3.50mm, Poles : N=04~48P
- 3. Stripping length : 10~11mm
- 4. Operating temperature: -40°C~+105°C
- 5. Undimensioned tolerances:

Pitch range in mm		Nominal dimension range in mm					-	∩	D
TO	Over	Over	Over	Over	Over	Over	0.1/10		
6	6 TO 10	10 TO 24	30 TO 60	60 TO 100	100 TO 150	150	<		
	±0.15	±0.20	±0.30	±0.50	±0.70	±1.00	±1.30	±2'	

- 6. RoHS Compliance



More than 10 poles without raised structure



仅供参考图  
签字: 蓝贵凡  
日期: 2018.06.04

15EDGKNHB - 3.5 - XXP - 1Y - 00A (H)  
 (Series No.) (Pitch) (Poles) (Single Pitch) (Color): 1.(Grey) 2.(Blue) 3.(Black) 4.(Green) 5.(Orange) 6.(Red) 7.(Transparent) 8.(Yellow) 9.(White)  
 (RoHS) 00A-(Standard)

ITEM	NAME OF PART	MATERIAL	NOTES
5	Clamp	Copper alloy	Sn Plated
4	Spring	Stainless steel	
3	Button	POM	UL94HB
2	Cover	PA66	UL94V-0
1	Housing	PA66	UL94V-0

PART NO.: /		宁波高松电子有限公司 NINGBO DEGSON ELECTRICAL CO., LTD	
APPD: Alan 2018.06.04	CHKD:	NAME: 15EDGKNHB-3.5-XXP-1Y-00A(H)	
DRFT: HS 2017.11.15	TITLE: CUSTOMER DRAWING		REV: DO-2
DRAWING NO.: 15EDGKNHB-3.5-C01		SHEET: 1/1	
THIRD ANGLE PROJECTION		DO NOT SCALE DRAWING	SCALE: 1:1