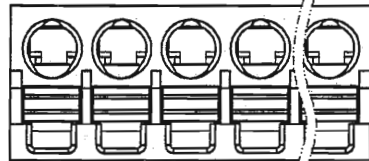


REVISION RECORD

REV	ECN	DESCRIPTION	DRFT	DATE

NOTES:

- 1.DIMENSION SHALL BE INTERPRETED PER ASME Y14.5-2009.
- 2.PITCH:3.5MM ,POLES:N=2-22P
- 3.UL:300V/8A
- 4.VDE:

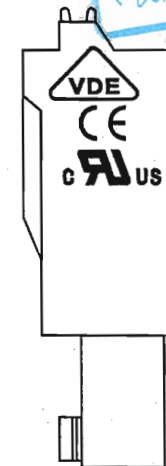
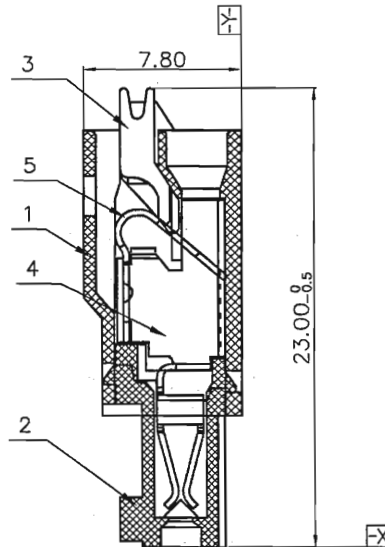
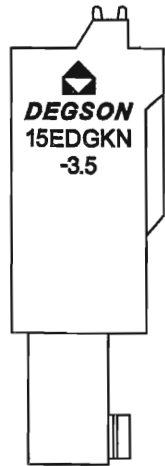
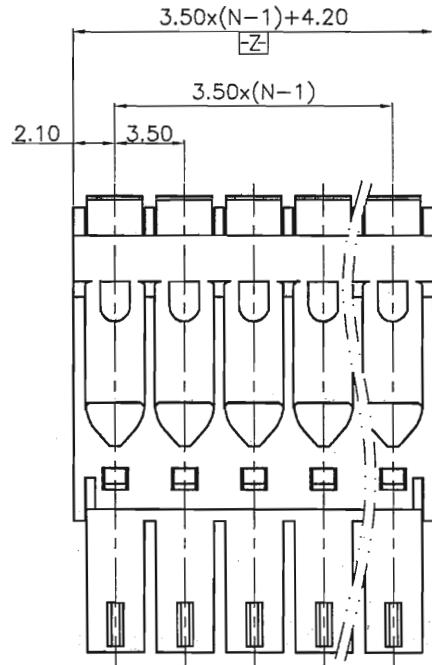


POLLUTION DEGREE	2
OVERVOLTAGE CATEGORY	II
RATED IMPULSE VOLTAGE(KV)	2.5KV
RATED VOLTAGE(V)	250V
RATED CURRENT(A)	8A

PITCH RANGE IN MM		NOMINAL DIMENSION RANGE IN MM					-
OVER 6 TO 10	OVER 10 TO 24	TO 30	OVER 30 TO 60	OVER 60 TO 100	OVER 100 TO 150	OVER 150	~
±0.10	±0.15	±0.25	±0.20	±0.30	±0.50	±0.70	±1.00/0.05/10

- 5.LOWER LIMIT TEMPERATURE:-40℃
- 6.UPPER LIMIT TEMPERATURE:+105℃
- 7.WIRE RANGE:28AWG~16AWG,0.2MM²~1.0MM²
- 8.STRIPPING LENGTH:10MM
- 9.UNDIMENSIONED TOLERANCES:

文管中心
研发专用
2015.05.10
(仅限内部使用, 对外无效)



ITEM	NAME OF PART	NO. OF PART	Q'TY	MATERIAL	NOTES
5	15EDGKN-3.5-Spring	X000001910(H)	XX	Steel	
4	15EDGKN-3.5-Clamp	1103B00010(H)	XX	Bronze	Sn Plated
3	15EDGKN-3.5-Buttom	1103D0501A(H)	XX	POM	UL94HB
2	15EDGKN-3.5-Cover	1103CYYXXA(H)	1	PA66	UL94V-0
1	15EDGKNG-3.5-Housing	1103AYYXXA(H)	1	PA66	UL94V-0

MM (INCH)	MATERIAL:	宁波高正电子有限公司 DEGSON® DEGSON ELECTRONICS CO., LTD	
TOLERANCES EXCEPT AS NOTED	FINISH:	NAME: 15EDGKN-3.5-XXP-1Y-00A(H)	
.X ± .XX ± .XXX ±	.X' ± .XX' ± .XXX' ±	PART NO.:	TITLE: ASSEMBLY DRAWING
ANGLES ± 1°	APPD: <i>Apron 5/20/13</i>	CHKD: <i>Xlm 5/20/13</i>	DRAWING NO.: 15EDGKN-3.5-E01
THIRD ANGLE PROJECTION	DRFT: XLM 10/16/13"	DO NOT SCALE DRAWING	SCALE N/A
		REV	TO
		SHEET	1/1