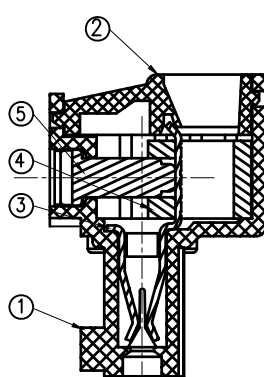
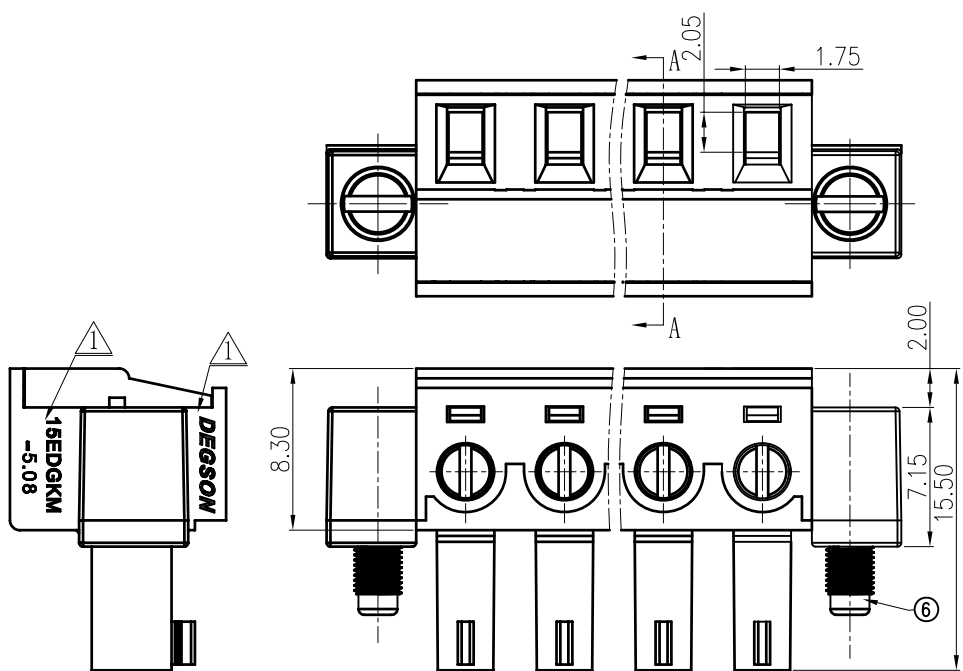


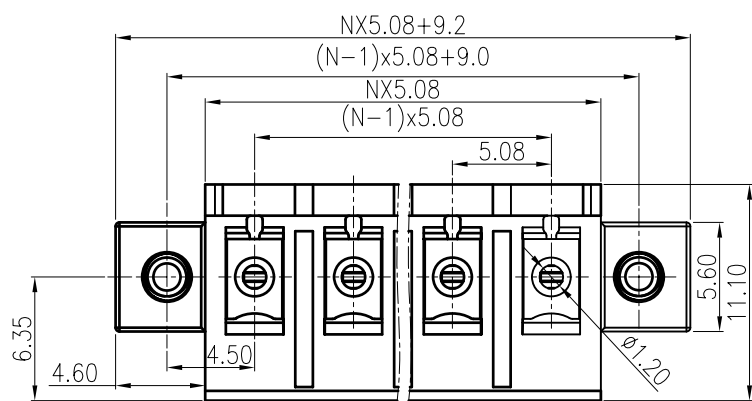
REVISION RECORD					
REV	ECO	DESCRIPTION	DRFT	DATE	
①		增加VDE, UL, CE刻字及商标品名	Zengy	01/13/09*	
②		修改螺丝防脱卡点位置及尺寸	WLM	04/21/09*	



SECTION A-A

认证标志在左右两边都可以
(Approval mark can be printed on left and right end both)

此处用治具打防脱点, 以防止螺丝脱落



15EDGKM-5.08-XXP-1Y-00AH
15EDGKM-5.08 - series
XXP - number of Pins/Poles (02P, 03P ... 12P)
1 - single-row
Y - color of housing (4 - green color)
00AH - no value

Notes:

- Pitch: 5.08mm, Poles: 2-12P
- Rated voltage/current: UL 300V/8A VDE 250V/7A
- Operation temperatures: -40°C ~ +105°C
- Withstanding Voltage: AC2000V/1Min
- Insulation Resistance: 5000MΩ/DC1000V
- Wire Range: 28~16AWG, 0.5~1.5mm²
- Max. Torque Value: M2, 2.04kgf.cm
- Undimensioned Tolerances:

Pitch range in mm		Nominal dimension range in mm						
to	to	to	to	to	to	to		
6	10	10	24	30	60	100	150	∩
±0.10	±0.15	±0.25	±0.2	±0.3	±0.5	±0.7	±1.0	□

ITEM	DESCRIPTION	PART NO.	QTY	MATERIAL	FINISH
6	2EDGKA-""Screws	S000000980 (H)	2	Steel	Cr ³⁺ Zn
5	15EDG-""Screws	S000001360 (H)	XX	Steel	Cr ³⁺ Zn
4	15EDG-Brass cage	X000000010 (H)	XX	Brass	Ni plated
3	15EDG-Clamp	1001B00010 (H)	XX	Phoshor Bronze	Ni plated
2	15EDGK-5.08-Cover	1168C0YXXA (H)	1	PA66	UL94V-0

1	15EDGKM-5.08-Housing	1169A0YXXA (H)	1	PA66	UL94V-0																
ITEM	NAME OF PART	NO. OF PART	Q"TY	MATERIAL	NOTES																
<table border="1"> <tr> <td colspan="2">MM (INCH)</td> <td>DFTO Zhuwm</td> <td>DATE 12/14/07*</td> </tr> <tr> <td colspan="2">TOLERANCES EXCEPT AS NOTED</td> <td>CHKD</td> <td>DATE</td> </tr> <tr> <td colspan="2"></td> <td>MFO</td> <td>DATE</td> </tr> <tr> <td colspan="2"></td> <td>APPVL</td> <td>DATE</td> </tr> </table>		MM (INCH)		DFTO Zhuwm	DATE 12/14/07*	TOLERANCES EXCEPT AS NOTED		CHKD	DATE			MFO	DATE			APPVL	DATE	宁波高正电子有限公司 NINGBO DEGSON ELECTRICAL CO., LTD.			
MM (INCH)		DFTO Zhuwm	DATE 12/14/07*																		
TOLERANCES EXCEPT AS NOTED		CHKD	DATE																		
		MFO	DATE																		
		APPVL	DATE																		
DETACHED LISTS		NAME: 15EDGKM-5.08-XXP-1Y-00A (H)																			
ANGLES ± 1'		G.E.:																			
THIRD ANGLE PROJECTION		FINISH:																			
		SCALE: 1:1																			
DO NOT SCALE DRAWING				SHEET 1	OF 1																