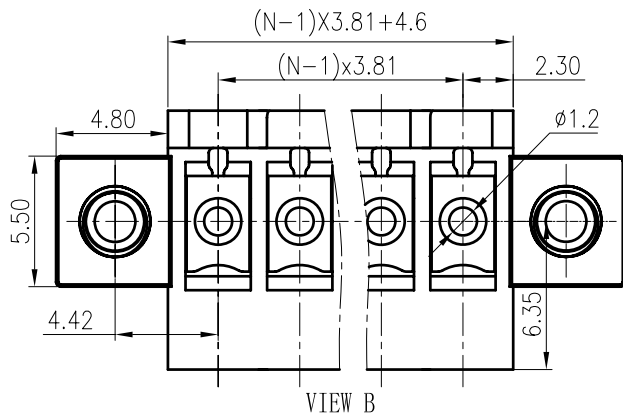
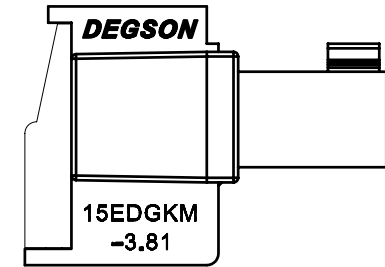
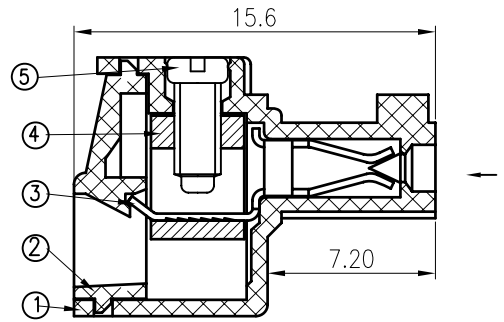
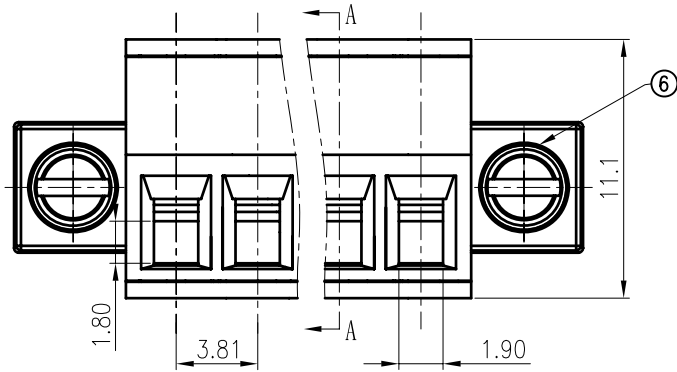
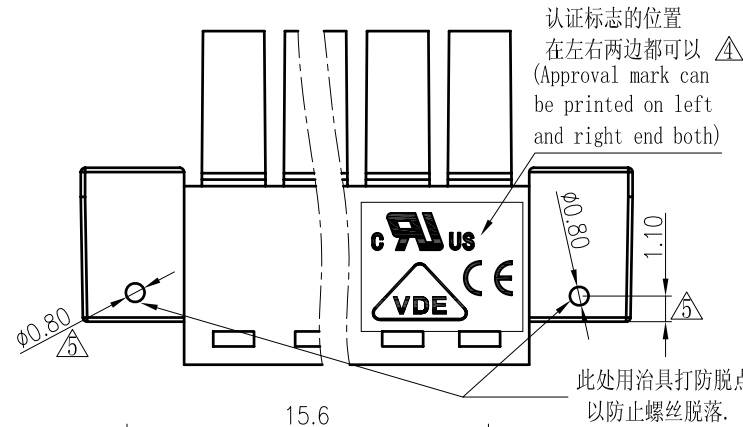
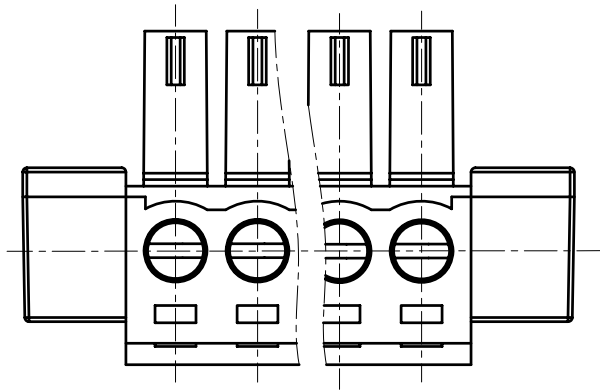


REVISION RECORD					
REV	ECO	DESCRIPTION	DRFT	DATE	
①		Drawing emend	WF	05/08/06	
②		品名、料号增加环保标示“(H)”	LJH	12/11/07	
③		增加VDE刻字及修改料号	Zengy	01/12/09	
④		修改螺丝防脱卡点位置及尺寸	WLM	04/21/09	



SECTION A-A

Notes:

- Pitch: 3.81mm, Poles: 2-24P
- Rated voltage/current: UL 300V/8A
VDE 250V/7A
- Operation temperatures: -40°C ~ +105°C
- Withstanding Voltage: AC2000V/1min
- Insulation Resistance: 5000MΩ/DC1000V
- Wire Range: 28~16AWG, 0.5~1.5mm²
- Max. Torque Value: M2, 2.04kgf.cm
- Undimensioned Tolerances:

15EDGKM-3.81-XXP-1Y-00AH
15EDGKM-3.81 - series
XXP - number of Pins (02P, 03P ... 24P)
1 - single-row
Y - color of housing (4 - green color)
00AH - no value

Pitch range in mm		Nominal dimension range in mm						
to	over	to	to	to	to	to		
6	10	10	24	30	60	100	150	⌒
±0.10	±0.15	±0.25	±0.2	±0.3	±0.5	±0.7	±1.0	▱

ITEM	DESCRIPTION	QTY	MATERIAL	NOTES
6	2EDG-"-"Screws	2	Steel	Cr ³⁺ Zn
5	15EDG-"-"Screws	XX	Steel	Cr ³⁺ Zn
4	15EDG-Brass cage	XX	Brass	Ni plated
3	15EDG-Clamp	XX	Phoshor Bronze	Ni plated
2	15EDGK-3.81-Cover	1	PA66	UL94V-0

ITEM	NAME OF PART	NO. OF PART	Q"TY	MATERIAL	NOTES
1	15EDGKM-3.81-Housing	1038A0YXXA (H)	1	PA66	UL94V-0

MM (INCH)	DFTO LIUM	DATE 10/28/04"	宁波高正电子有限公司 NINGBO DEGSON ELECTRICAL CO., LTD.
TOLERANCES EXCEPT AS NOTED	CHKD	DATE	
	MFO	DATE	
	APPVL	DATE	
MM	MATERIAL :		NAME
.0 ±			15EDGKM-3.81-XXP-1Y-00A (H)
.00 ±			DRAWING NO. 15EDGKM-3.81-E01
.000 ±			/PART NO.
ANGLES ± 1°	G.E :		SIZE A3
THIRD ANGLE PROJECTION	FINISH :		REV T5
	SCALE : 1:1		04/21/09"
	DO NOT SCALE DRAWING		SHEET 1 OF 1