

REVISION RECORD

REV	ECN	DESCRIPTION	DRFT	DATE
△1	10-0070	增加UL刻字及参数	GHY	04/08/10*
△2	10-0287	修改外观	Jinhai.Lan	08/31/10*
△3	10-0321	增加VDE刻字及修改参数	ZXX	09/28/10*
△4	13-0244	更新电气参数	frederik	11/13/13*
△5	15-0060	按钮高度与田面不符, 调整尺寸 增加自动化装配按钮	RDM	03/27/15*
△6	15-0517	取消1100D0501J(H)料号	XFH	11/20/15*

备注一:

UL 标准

- △1. 额定电压与电流: 150V / 4A
- 2. 工频耐压: AC1300V/1Min.
- 3. 线径范围: 26~20AWG

IEC 标准

1.

污染等级	2
过压类别	II
额定脉冲电压(KV)	2.5KV
额定电压(V)	250V
额定电流(A)	5A

2. 线径范围: 0.2~0.5mm<sup>2</sup>

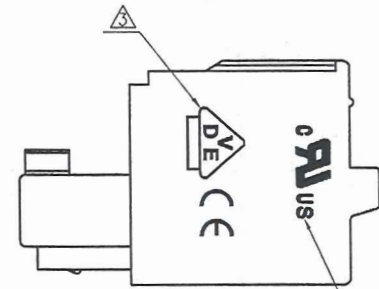
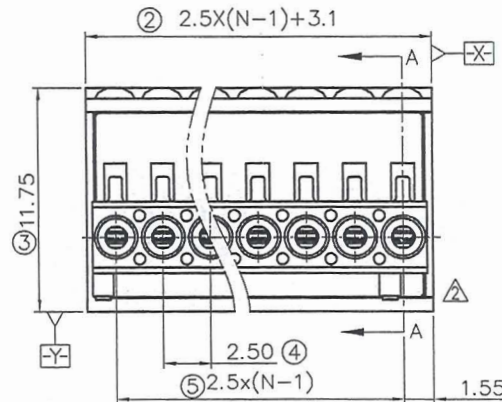
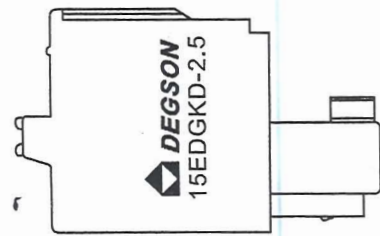
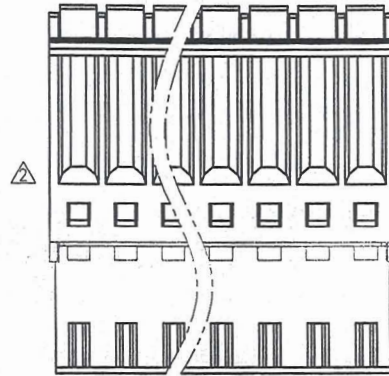
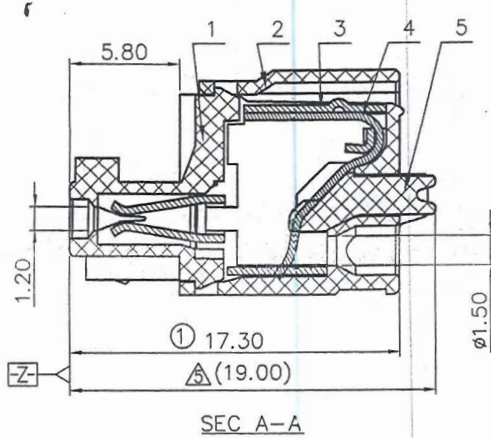
备注二:

- 1. 尺寸标注符合标准 ASME Y14.5-2009
- 2. P距: 2.5mm, P数范围: N=2-12P
- 3. 剥线长度: 8.0mm
- 4. 使用温度范围: -40°C~+105°C
- 5. "⊗" 为重点管控尺寸

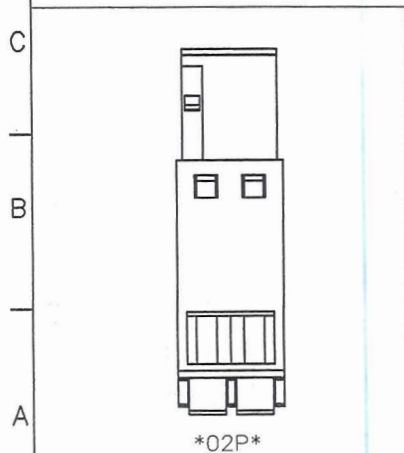
△6. 未注公差表

P距方向公差(mm)		其他尺寸公差(mm)					- / 0 /	
≤6	6 ~ 10	10 ~ 24	≤30	30 ~ 60	60 ~ 100	100 ~ 150	>150	0.05/10
±0.10		±0.15	±0.25	±0.20	±0.30	±0.50	±0.70	±1.00
								±1*

7. 须符合RoHS环保要求



文管中心  
研发专用  
2015.12.11  
未经许可, 对外无效



5	15EDGKD-2.5 按钮	1100D0501C(H)	N	POM	UL94HB
4	15EDGKD-2.5 弹片	X000003900(H)	N	不锈钢	
3	15EDGKD-2.5 夹子	1100B00010(H)	N	磷青铜	镀锡
2	15EDGKD-2.5 塑件	1100AYYXXA(H)	1	PA66	UL94V-0
1	15EDGKD-2.5 盖板	1100CYYXXA(H)	1	PA66	UL94V-0
ITEM	NAME OF PART	NO. OF PART	Q'TY	MATERIAL	NOTES

PART NO.: /		宁波高松电子有限公司 NINGBO DEGSON ELECTRICAL CO., LTD			
APPD: Anson 11/30-15	NAME: 15EDGKD-2.5-XXP-1Y-00A(H)				
CHKD: Perry 11/27-15	TITLE: ASSEMBLY DRAWING	REV: T6			
DRFT: LIN 10/20/08	DRAWING NO.: 15EDGKD-2.5-E01	SHEET: 1/1			
THIRD ANGLE PROJECTION		MM (INCH)	DO NOT SCALE DRAWING	SCALE: 1:1	

REVISION RECORD

REV	ECN	DESCRIPTION	DRFT	DATE
-----	-----	-------------	------	------

NOTES1:

UL Standard

1. Rated Voltage/Current : 150V / 4A
2. Withstanding Voltage : AC1300V/1Min.
3. Wire Range : 26~20AWG

IEC Standard

1. Pollution Degree	2
Overvoltage Category	II
Rate Impulse Voltage(KV)	2.5KV
Rate Voltage(V)	250V
Rate Current(A)	5A

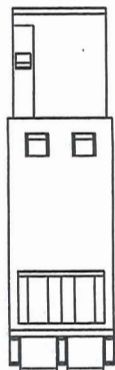
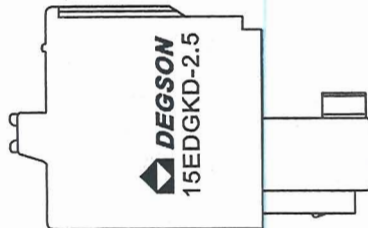
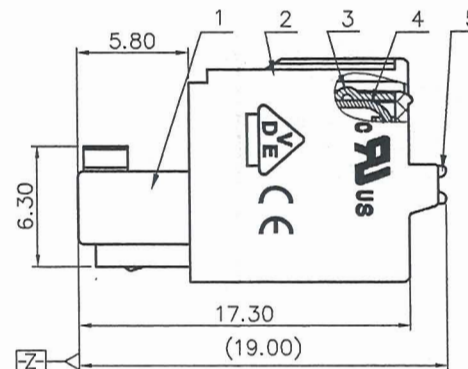
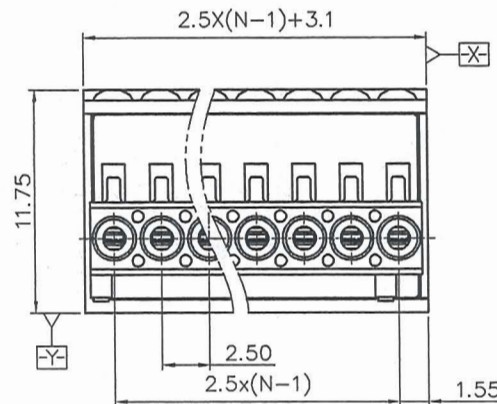
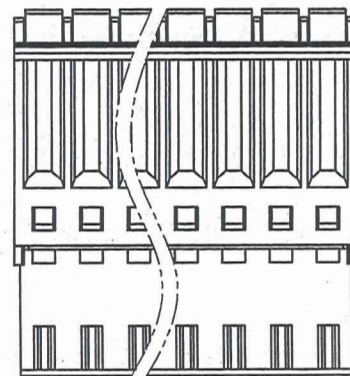
2. Wire Range : 0.2~0.5mm<sup>2</sup>

NOTES2:

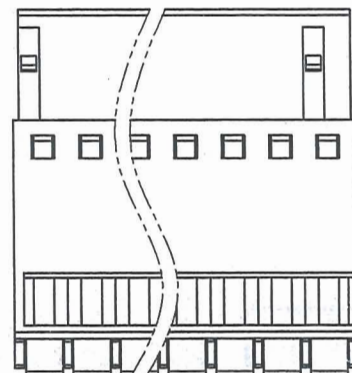
1. Dimension shall be interpreted per ASME Y14.5-2009
2. Pitch : 2.5mm, Poles : N=2-12P
3. Stripping length : 8.0mm
4. Operating temperature : -40°C~+105°C
5. Undimensioned Tolerances:

Pitch Range In mm		Nominal Dimension Range In mm						
To	Over	Over	Over	Over	Over			
6	10	10	30	60	100	150		
6	10	24	30	60	100	150	0.1/10	
±0.15	±0.20	±0.30	±0.30	±0.50	±0.70	±1.00	±1.30	±2'

6. RoHS Compliance



\*02P\*



文件专用  
2015.12.11  
此图仅供内部使用,对外无效

ITEM	NAME OF PART	MATERIAL	NOTES
5	BUTTON	POM	UL94HB
4	SPRING	STAINLESS STEEL	
3	CLAMP	COPPER ALLOY	SN PLATED
2	HOUSING	PA66	UL94V-0
1	COVER	PA66	UL94V-0

PART NO.: /		宁波高松电子有限公司 <b>DEGSON</b> ® NINGBO DEGSON ELECTRICAL CO., LTD	
APPD: Axon 11/20/15		NAME: 15EDGKD-2.5-XXP-1Y-00A(H)	
CHKD: Penny 11/21/15		TITLE: CUSTOMER DRAWING	
DRFT: XFH 11/21/15		REV	TO
THIRD ANGLE PROJECTION		DRAWING NO.: 15EDGKD-2.5-C01	SHEET 1/1
		MM (INCH)	DO NOT SCALE DRAWING SCALE 1:1