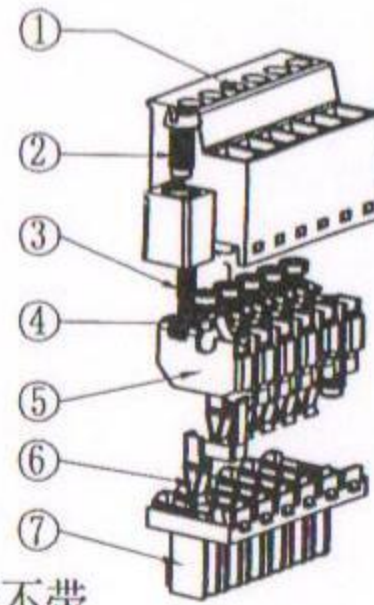
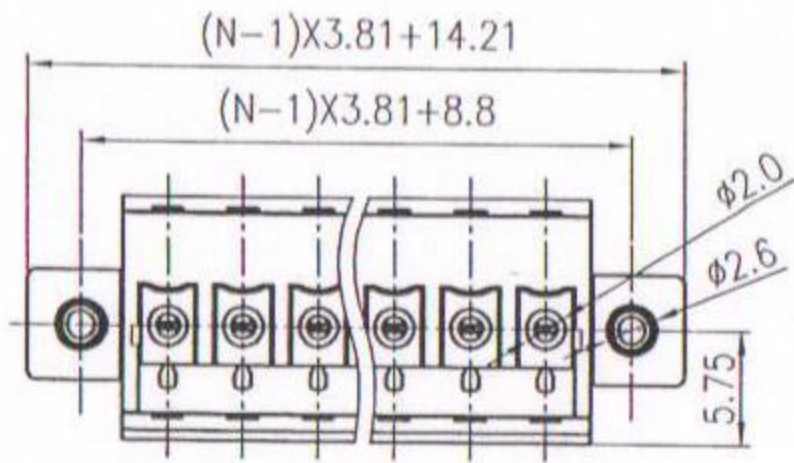
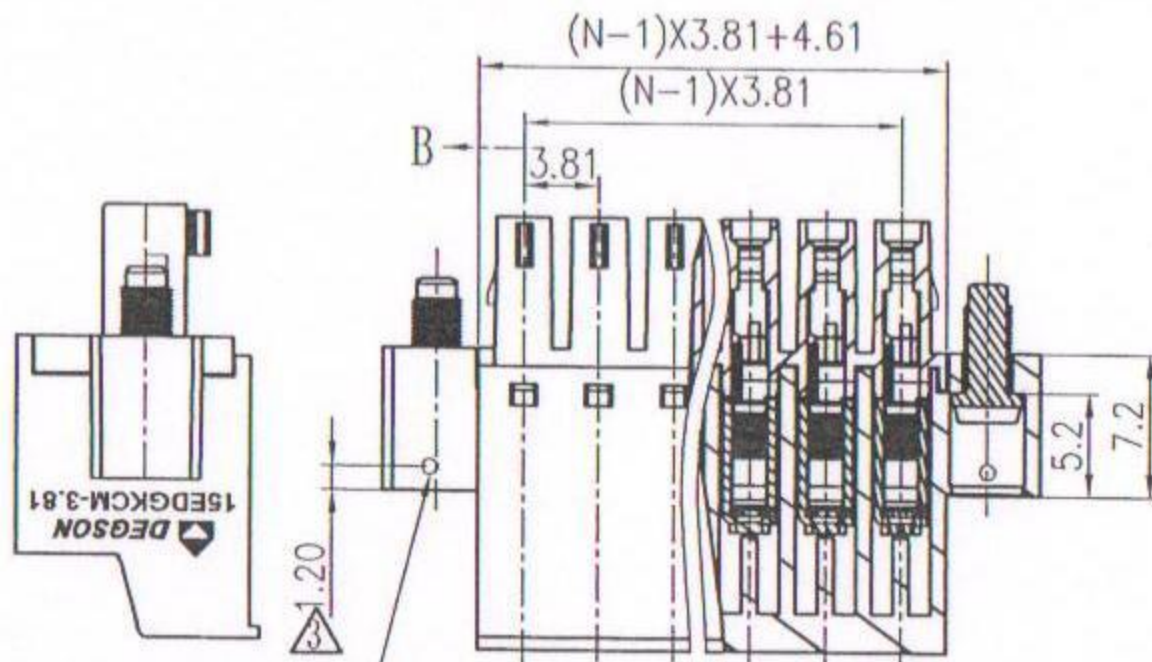


REVISION RECORD				
REV	ECN	DESCRIPTION	DRFT	DATE
△		增加UL, CE字样	HD	10/20/09
△		图面更新	HD	11/06/09
△	130106	打防脱点	DKJ	08/07/13

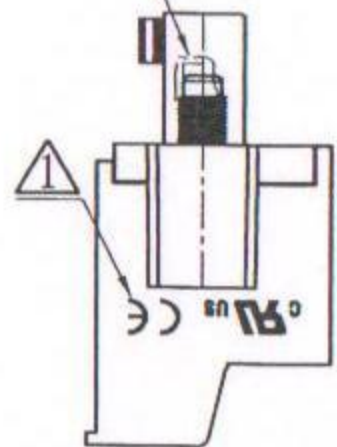


2P-6P带扣点, 7P-24P不带



Drill hole (打防脱点)
(Max $\varnothing 0.8 \times 0.5 \text{mm}$) * 2

Section A-A



Section B-B

Notes:

- Pitch: 3.81mm, Poles: 2-24P
- Rated voltage/current: UL 300V/8A
IEC 160V/8A
- Operation temperatures: $-40^{\circ}\text{C} \sim +105^{\circ}\text{C}$
- Withstanding Voltage: AC2000V/1min
- Insulation Resistance: 5000M Ω /DC1000V
- Wire Range: 30~16AWG, 1.5mm²
- Torque Value: M2.0, 2.04Kgf.cm
- Undimensioned Tolerances:

Pitch range in mm		Nominal dimension range in mm					
over 6	over 10	over 30	over 60	over 100	over 150		
to 10	to 24	to 30	to 60	to 100	to 150		
± 0.10	± 0.15	± 0.25	± 0.2	± 0.3	± 0.5	± 0.7	
						± 1	
						0.05/10	

ITEM	NAME OF PART	NO. OF PART	Q'TY	MATERIAL	NOTES
7	15EDGKC-3.81-Cover	1176COYXXA (H)	1	PA66	UL94V-0
6	15EDGKC-Clamp	1176B00010 (H)	XX	Phosphor bronze	SnCe plated
5	15EDGKC-Cage	X000002030 (H)	XX	Steel	Cr ³⁺ Zn
4	15EDGKC-Block	X000002040 (H)	XX	Steel	Cr ³⁺ Zn
3	15EDGKC-Screw-M2.0	S000002820 (H)	XX	Steel	Cr ³⁺ Zn
2	2EDG Screw-M2.5	S000001370 (H)	2	Steel	Cr ³⁺ Zn

1	15EDGKCM-3.81-Body	1177A0YXXA (H)	1	PA66	UL94V-0
ITEM NAME OF PART		NO. OF PART	Q'TY	MATERIAL	NOTES
TOLERANCES EXCEPT AS NOTED		DFTD Yangys	DATE 03/08/07	DEGSON Ningbo Degson Electrical Co., Ltd	
MM (INCH)		CHKD	DATE	NAME 15EDGKCM-3.81-XXP-1Y-00A (H)	
.00 ±		MFO	DATE	DRAWING NO. 15EDGKCM-3.81-E01	
.000 ±		APPL. Alan	DATE 09/13/13	/PART NO. Series 15EDGKCM-3.81	
ANGLES ± 1°		MATERIAL:		SIZE A4	
THIRD ANGLE PROJECTION		G.E.:		REV T3	
		FINISH:		08/07/13	
		SCALE: 1:1		DO NOT SCALE DRAWING	
				SHEET 1 OF 1	