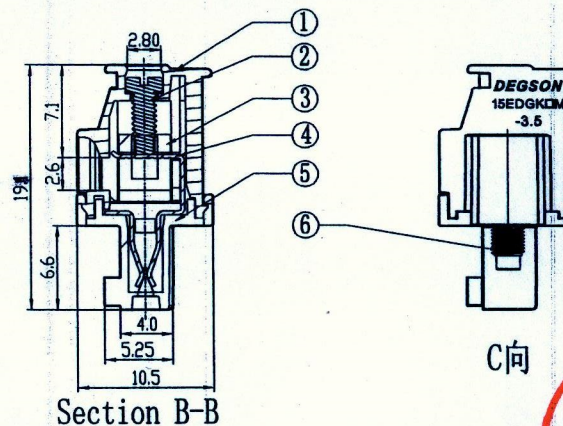


Notes:

1. Pitch: 3.5mm , Poles: 2-22P
2. Rated voltage/current: UL 300V/8A  
VDE 250V/7A
3. Operation temperatures: -40°C ~ +105°C
4. Withstanding Voltage: AC2000V/1Min
5. Insulation Resistance: 5000MΩ / DC1000V
6. Wire Range: 28~16AWG, 0.5-1.5mm<sup>2</sup>
7. Max. Torque Value: M2, 2.04kgf. cm (1.77Lb. in)
8. Undimensioned Tolerances:

REVISION RECORD				
REV	ECD	DESCRIPTION	DRFT	DATE

Pitch range in mm		Nominal dimension range in mm								
to	over	to	over	to	over	to				
6	10	6	10	15	24	30	60	100	150	
±0.10	±0.15	±0.25	±0.2	±0.3	±0.5	±0.7	±1	0.05/0.10		



ITEM	NAME OF PART	NO. OF PART	Q'TY	MATERIAL	NOTES
6	2EDG Screw-M2.5	S000001370 (H)	2	Steel	Cr <sup>3+</sup> Zn
5	15EDGKA/B-3.5-100A-Cover	1033COYXXE (H)	1	PA66	UL94V-0
4	15EDGKA/B-100A-Clamp	1033B00020 (H)	XX	Phosphor bronze	SnCe
3	15EDGK Cage	X000000010 (H)	XX	Brass	Ni Plated
2	15EDG Screw-M2.0	S000001360 (H)	XX	Steel	Cr <sup>3+</sup> Zn
1	15EDGKA/BM-3.5-100A-Housing	1034A0YXXE (H)	1	PA66	UL94V-0

MM (INCH)		DFTD Apply	DATE 04/10/09
TOLERANCES EXCEPT AS NOTED		CHKD MK6	DATE 07/15/10
MM		MFG	DATE
0 ±	*	APPVL Hang	DATE 07/16/10
.00 ±	*	MATERIAL :	
.000 ±	*	G.E : Series 15EDGKAM-3.5	
ANGLES ± 1°		FINISH:	
THIRD ANGLE PROJECTION		SCALE : 1:1	

DEGSON 宁波高正电子有限公司 NINGBO DEGSON ELECTRIC CO., LTD	
NAME 15EDGKAM-3.5-XXP-1Y-100A (H)	
DRAWING NO 15EDGKAM-3.5-E100	SIZE A3
PART NO	REV TO 03/16/09
DO NOT SCALE DRAWING	SHEET OF 1

