

REVISION RECORD				
REV	ECN	DESCRIPTION	DRFT	DATE

NOTES1:

- UL Standard
 1. Rated voltage/current : 300V / 8A
 2. Withstanding voltage : AC1600V/1Min.
 3. Torque value : M2 , 1.77Lb.in
 4. Wire range : 28~16AWG

IEC Standard

1. Pollution degree	2
Overvoltage category	II
Rate impulse voltage(KV)	2.5KV
Rate voltage(V)	250V
Rate current(A)	7A

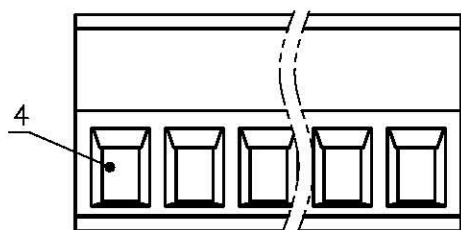
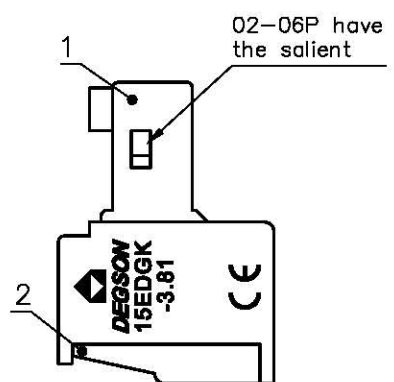
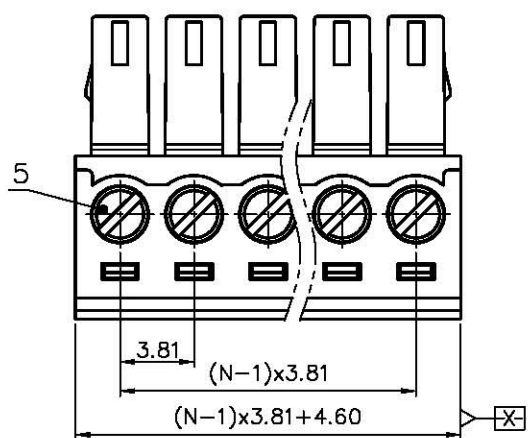
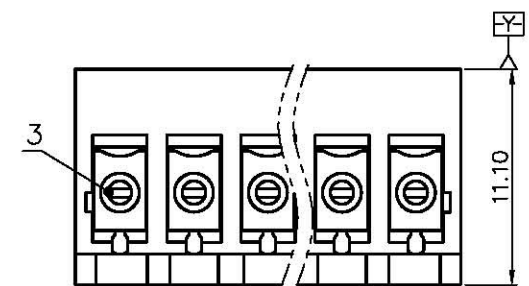
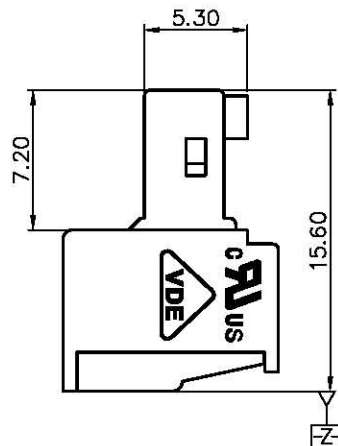
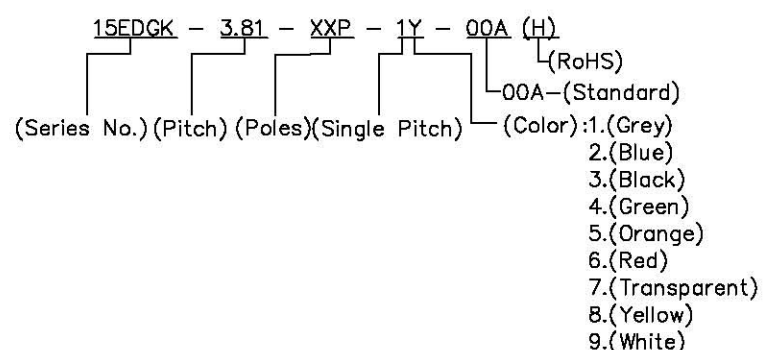
2. Torque value : M2 , 0.2N·m
 3. Wire range : 0.5~1.5mm²

NOTES2:

1. Dimension shall be interpreted per ASME Y14.5-2009
 2. Pitch : 3.81mm, Poles : 02~24P
 3. Stripping length : 6~7mm
 4. Operating temperature: -40°C~+105°C
 5. Undimensioned tolerances:

Pitch range in mm		Nominal dimension range in mm				0.1/10
TO	Over TO	TO	Over TO	Over TO	Over TO	
6	10	30	60	100	150	±2'
±0.15	±0.20	±0.30	±0.30	±0.50	±0.70	
				±1.00	±1.30	

6. RoHS Compliance



文管中心
 研发专用
 2020.06.05
 (仅限内部使用, 对外无效)

ITEM	NAME OF PART	MATERIAL	NOTES
5	Screw	Steel	M2/Zn Plated
4	Cage	Copper alloy	M2/Ni Plated
3	Clamp	Copper alloy	Sn Plated
2	Cover	PA66	UL94V-0
1	Housing	PA66	UL94V-0

PART NO.: /		宁波高松电子有限公司 NINGBO DEGSON ELECTRICAL CO., LTD	
APPD: Series 15EDGK-3.81		NAME: 15EDGK-3.81-XXP-1Y-00A(H)	
CHGD:		TITLE: CUSTOMER DRAWING	
DRFT: /		REV	TO
THIRD ANGLE PROJECTION		DRAWING NO.: 15EDGK-3.81-C04	
		SHEET	1/1
DO NOT SCALE DRAWING		SCALE	1:1

H
G
F
E
D
C
B
A

H
G
F
E
D
C
B
A