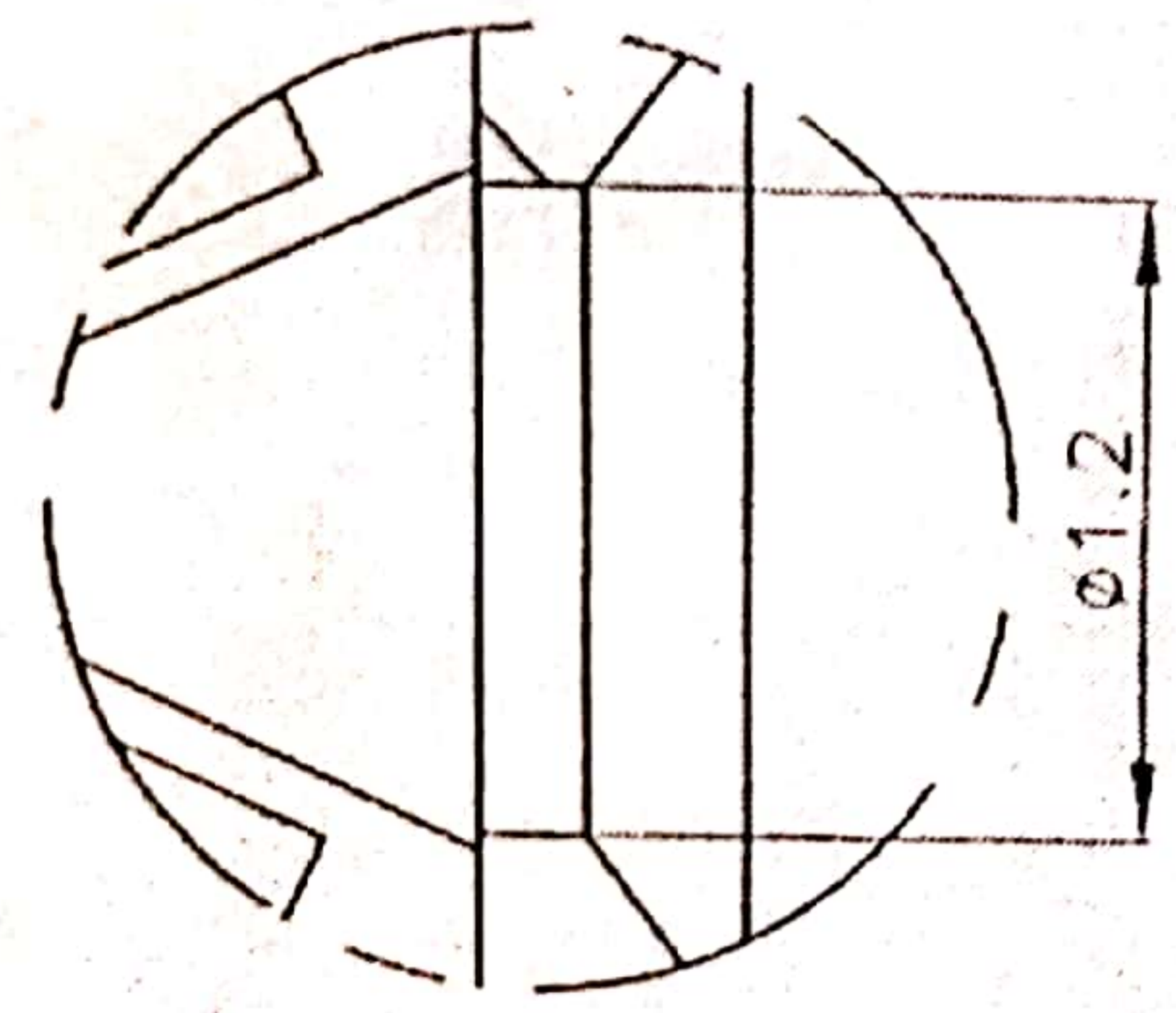
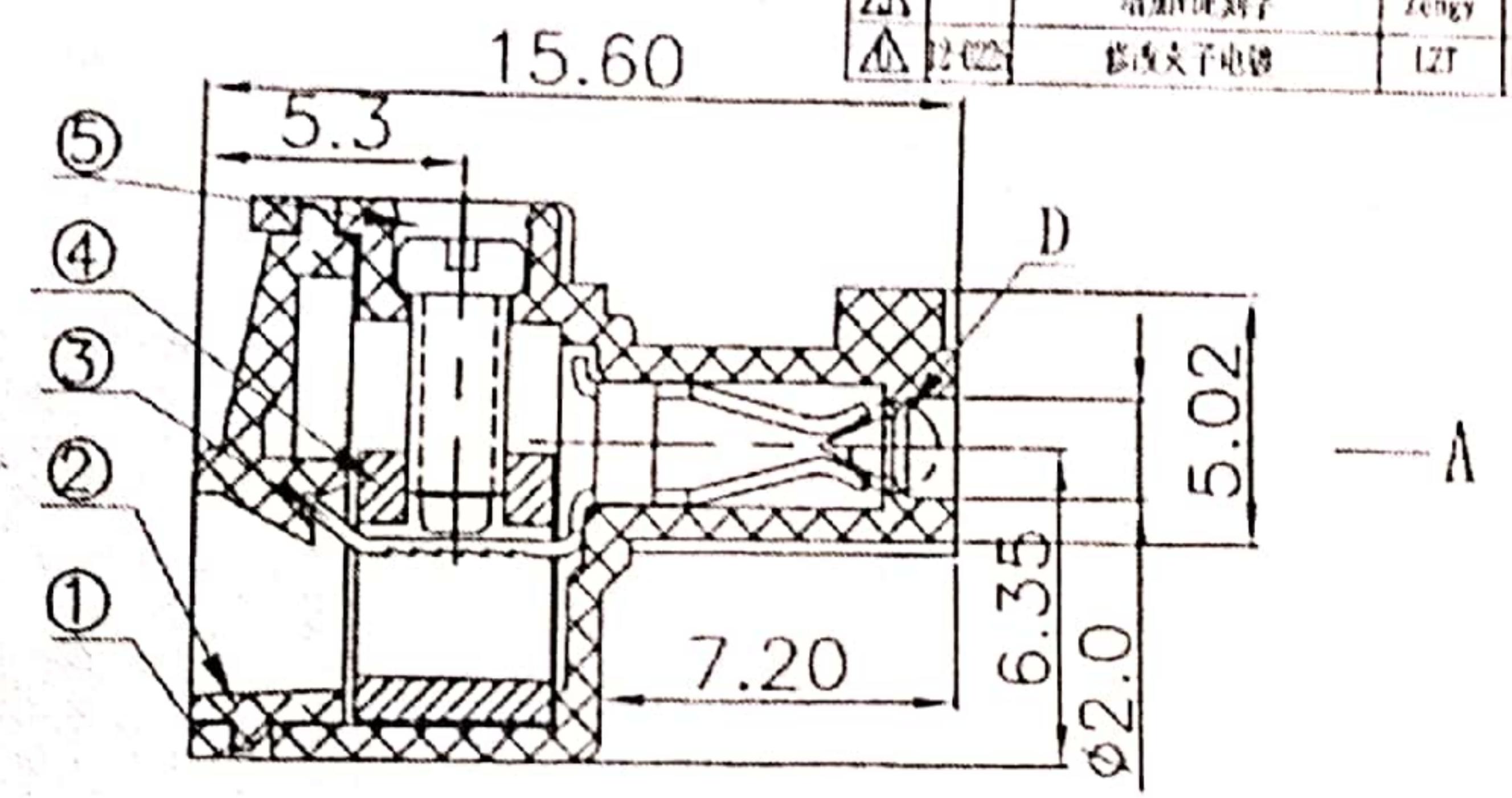
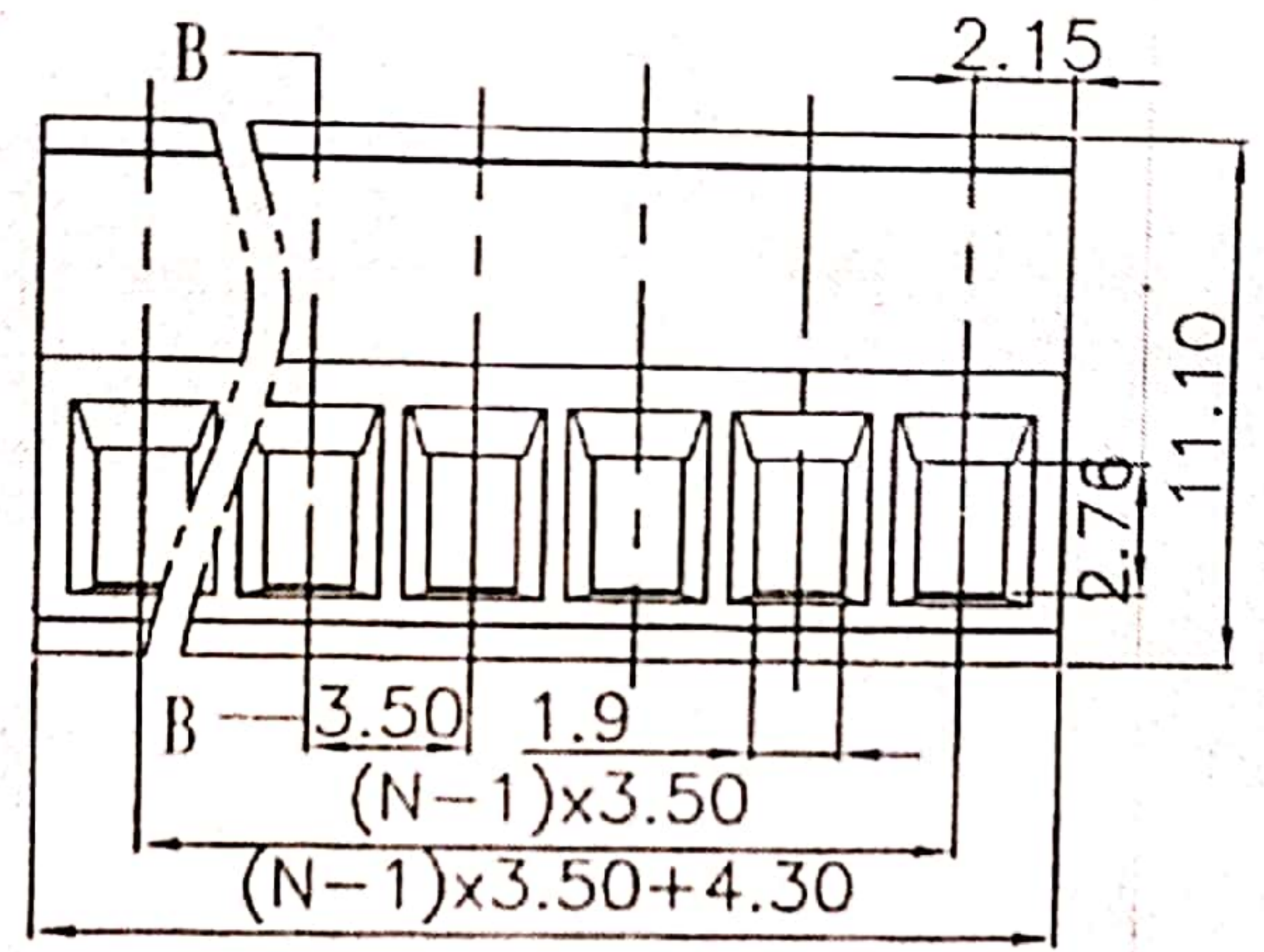


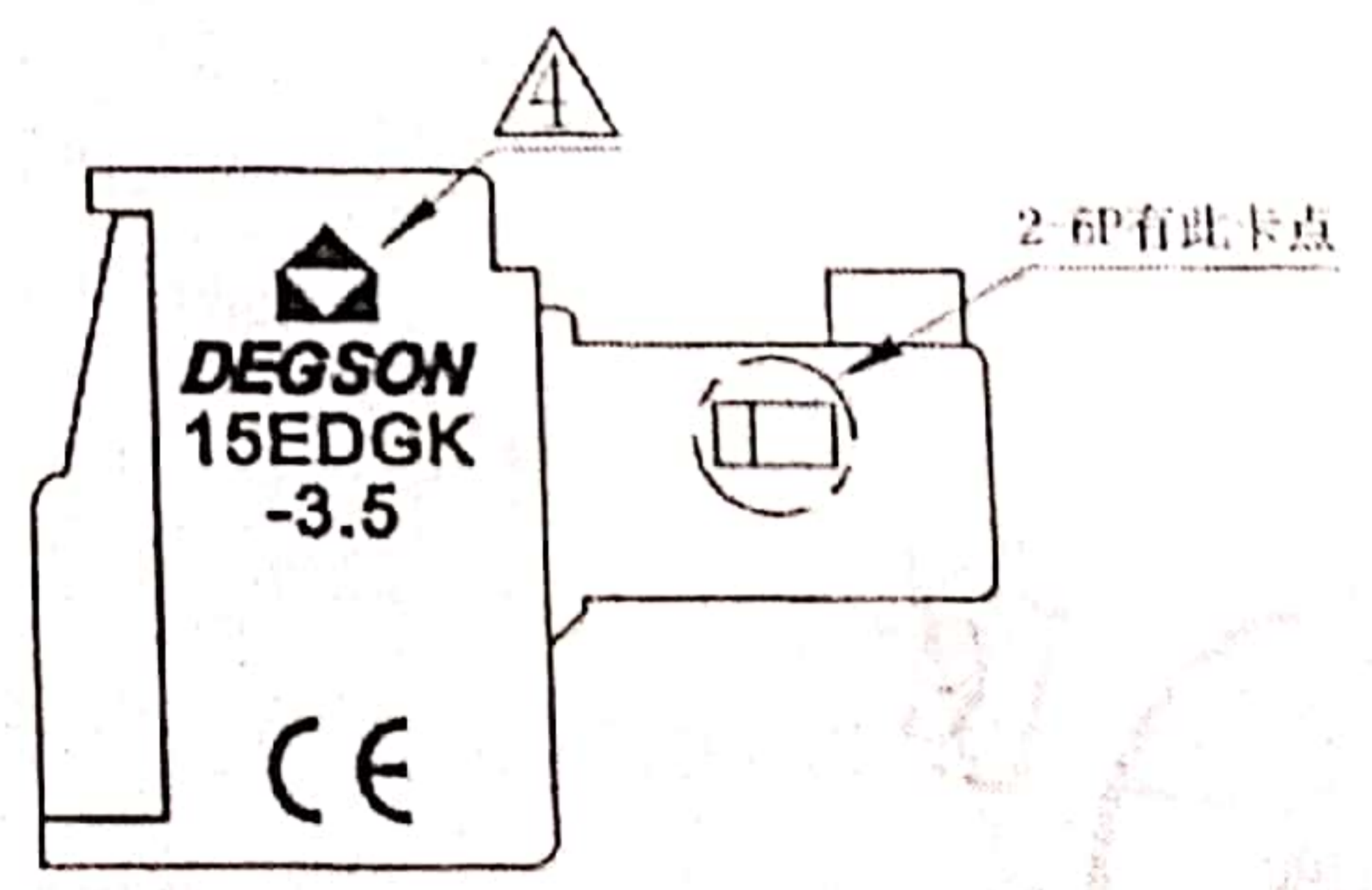
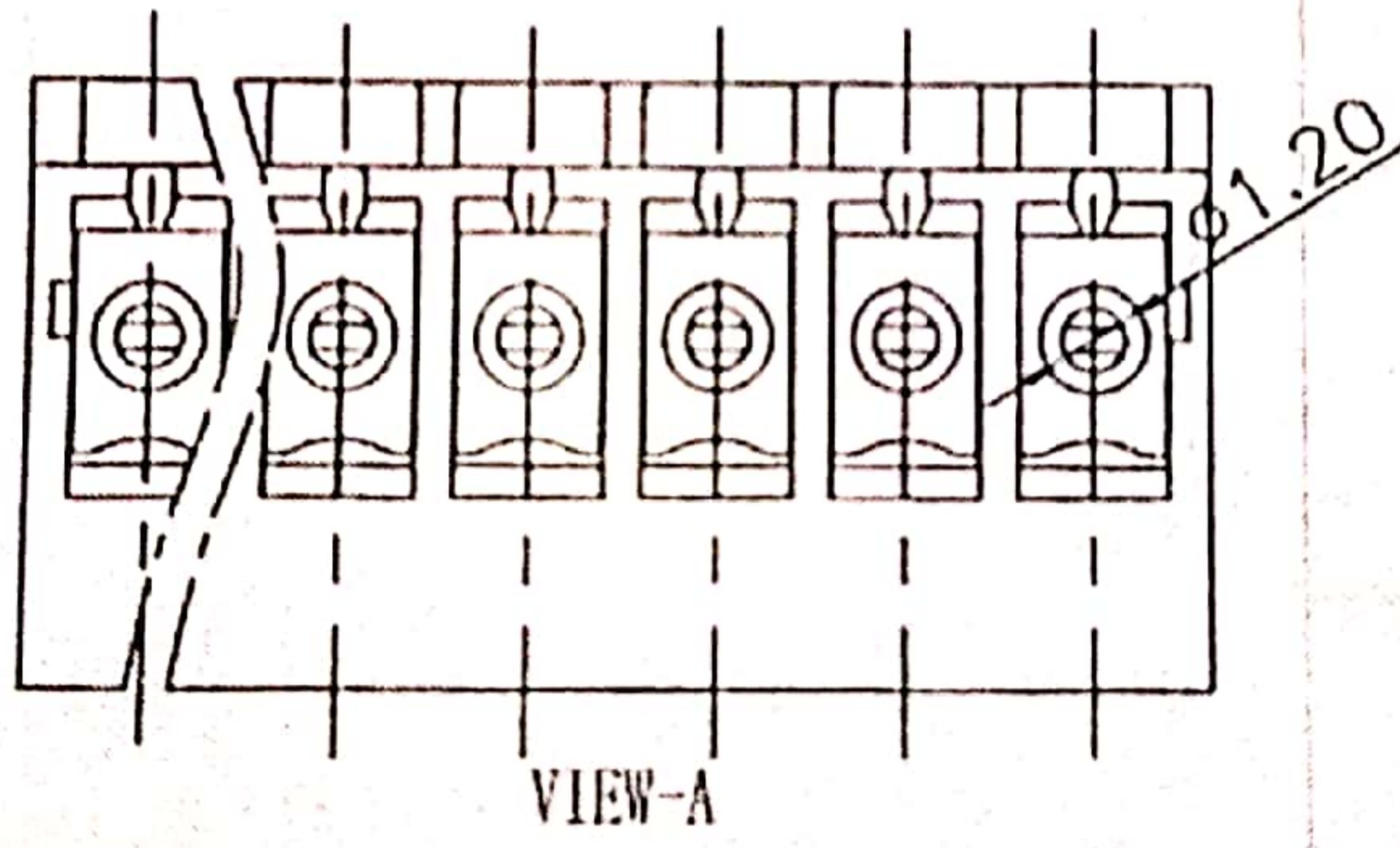
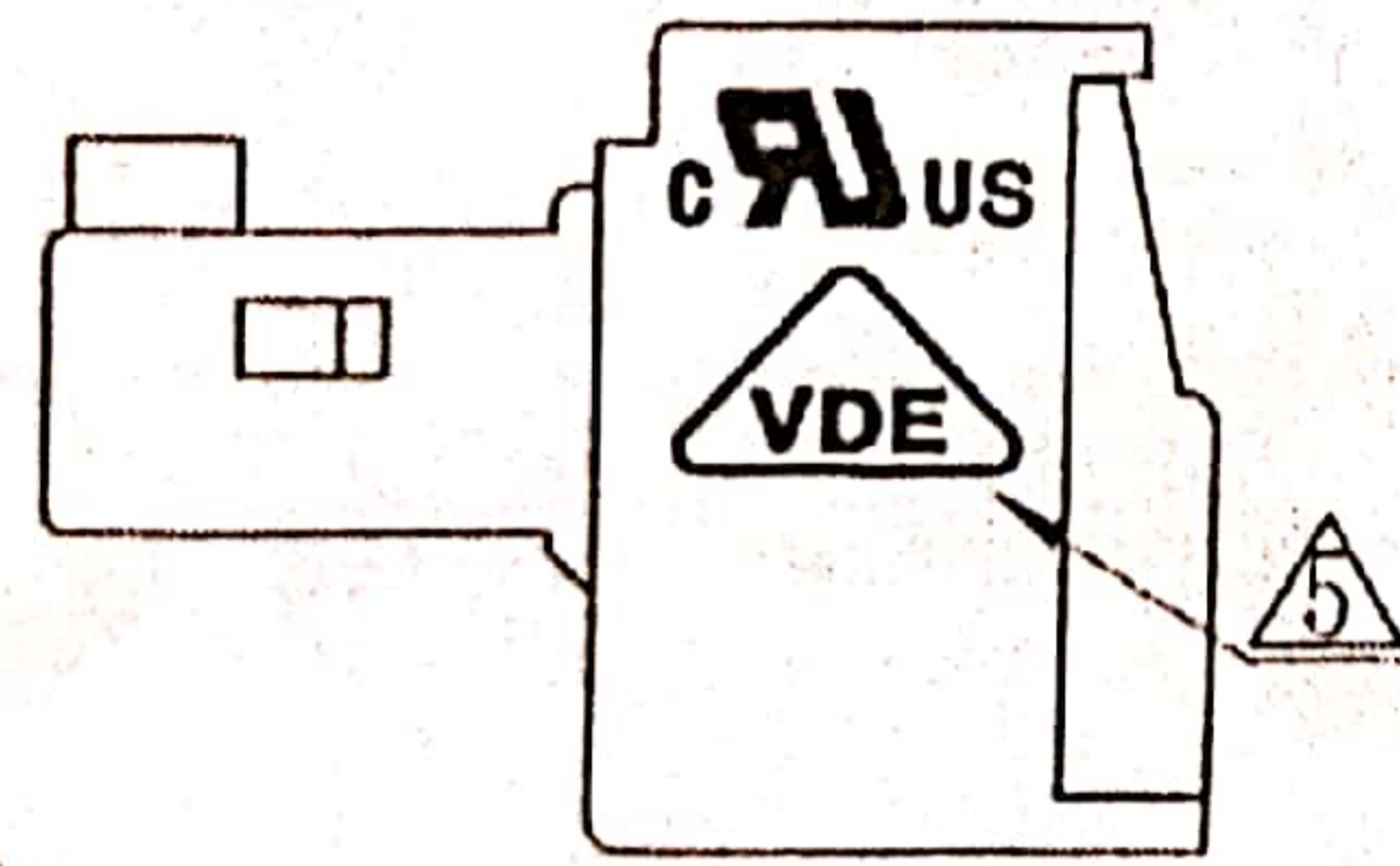
REV	ECO	DESCRIPTION	DEGT	DATE
△		Drawing issued	W	04/06/06
△		Drawing issued	YeJ	10/17/06
△		去掉图中的小“W”字	csx	09/17/07
△		增加空端子并修改刻字	Zongy	06/14/08
△		增加VDE刻字	Zongy	12/26/08
△	2202	修改端子电铸	LZT	11/02/12



D 局部放大 (8:1)



SECTION B-B



Notes:

1. Pitch: 3.5mm Poles: 2-24P
2. Rated voltage/current: UL 300V/8A
VDE 250V/7A
3. Operation temperatures: -40°C~+105°C
4. Withstanding Voltage: AC2000V/1Min
5. Insulation Resistance: 5000MΩ/DC1000V
6. Wire Range: 28~16AWG, 0.5~1.5mm²
7. Max. Torque Value: M2.0, 2.04Kgf.cm
8. Undimensioned Tolerances:

Pitch range in mm			Nominal dimension range in mm							
	over 6	over 10		over 30	over 60	over 100	over 150			
to 6	to 10	to 24	to 30	to 60	to 100	to 150		□		
±0.10	±0.15	±0.25	±0.2	±0.3	±0.5	±0.7	±1	□/△/○		

ITEM	DESCRIPTION	PART NO.	QTY	MATERIAL	FINISH
5	15EDG M2*-Screws	S000001350(H)		Steel	Cr 2n
4	15EDG Brass cage	X000000010(H)		Brass	Ni plated
3	15EDG Clamp	1001B00010(H)		Phosor Bronze	SnCe
2	15EDGK-3.5-Cover	1001C0YXXA(H)	1	PA66	UL94V-0

ITEM	NAME OF PART	NO. OF PART	Q'TY	MATERIAL	NOTES
1	15EDGK-3.5-Housing	1001A0YXXA(H)	1	PA66	UL94V-0

DATE 04/19/05	DATE 11/24/12	DATE 11/20/12
WTO HAOYH	CHKD FMB	APPV abm
MFD	MFD	MFD
MATERIAL: G.E. Series 15EDGK-3.5		
FINISH:		
SCALE: 1:1		

NAME: 15EDGK-3.5-XXP-1Y-00A(H)	
DRAWING NO: 15EDGK-3.5-E06	SIZE: A4
/PART NO	REV: T6
DO NOT SCALE DRAWING	DATE: 11/08/12
SHEET 1	OF 1

